



DATASHEET

AW3464-T0-F

Common Name- 2 Port, 38", 698-960MHz, Small Cell Omni

| | | | | |
|------------|-------|-------|------|-----------|
| 698-960MHz | 2 | Fixed | 6.5 | 360° |
| Frequency | Ports | Tilt | Gain | Beamwidth |

PRODUCT INFORMATION

This is a two port 360 degree pseudo omni-directional antenna covering 698-960MHz. This product was developed to offer a small form factor solution for the low band LTE applications. The compact size is intended to minimize planning requirements.

APPLICATION

Alpha Wireless pseudo omni provides 360° coverage whilst in an ultra-compact radome design. The wide-band antenna is designed to be installed in urban environment where low visual impact is required. The 2 port antenna provides 2X2 MIMO for improved data throughout with options fit various fixed tilt settings

STANDARD & CERTIFICATIONS

| | |
|---------------|---------------------|
| Certification | BS EN ISO 9001:2015 |
|---------------|---------------------|



FEATURES

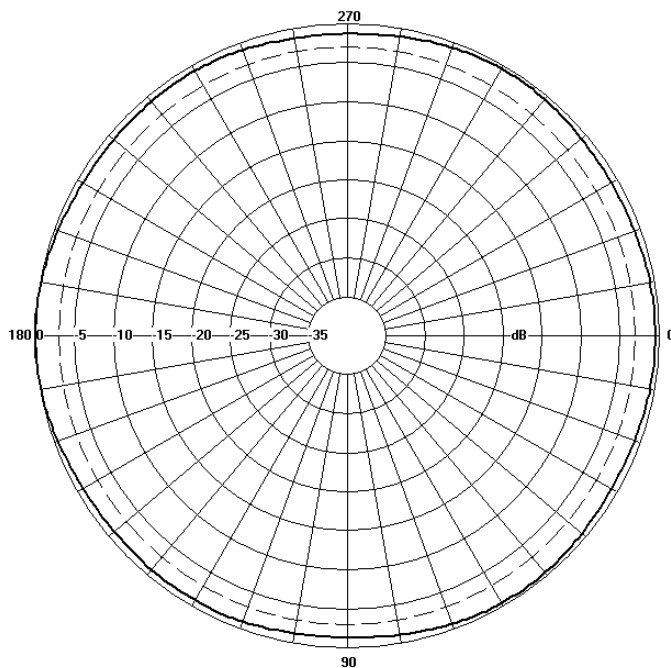
- Ultra-wide low band antenna 698-960MHz
- Compact design for Small Cell deployment - Low visual impact
- Optimized Pseudo omni with reduced azimuth ripple
- Slim monopole design to reduce wind loading

The parameters in this specification follow the definitions and recommendations per NGMN P-Basta, Release 9.6.

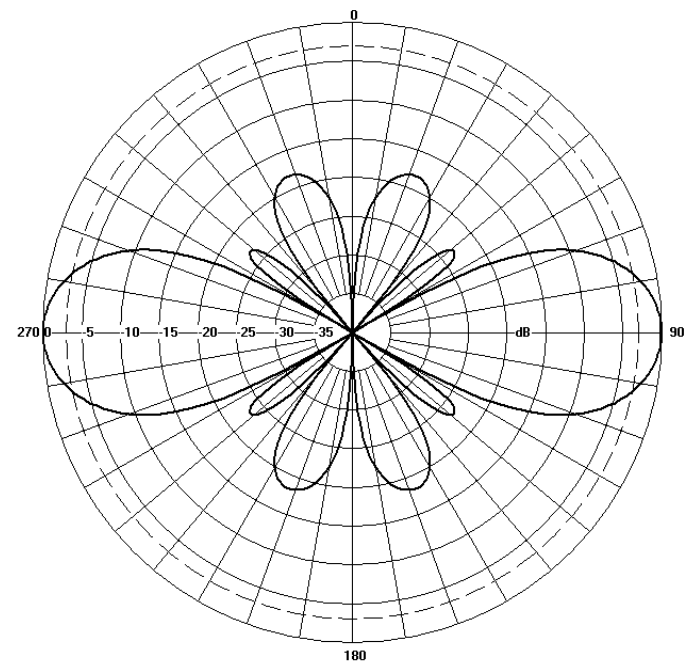
TECHNICAL SPECIFICATION

| Electrical Specifications | | | | | |
|---|-------|---------|---------------------|-----------|-----------|
| Frequency Range | | MHz | 698 - 790 | 790 - 890 | 890 - 960 |
| Polarisation | | Degree | +/-45° Slant Linear | | |
| Gain | Basta | dBi | 5.8±0.5 | 5.9±0.5 | 6.0±0.5 |
| | Max | dBi | 6.3 | 6.4 | 6.5 |
| Azimuth Beamwidth | | Degree | 360° | 360° | 360° |
| Elevation Beamwidth | | Degree | 22° | 22° | 22° |
| Electrical Downtilt | | Degree | T0° | T0° | T0° |
| Electrical Downtilt Deviation | | Degree< | 1° | 1° | 1° |
| Impedance | | Ohms | 50 | 50 | 50 |
| VSWR | | < | 1.5 | 1.5 | 1.5 |
| Return Loss | | dB> | 14 | 14 | 14 |
| Isolation | | dB> | 25 | 25 | 25 |
| Passive Intermodulation | | dBc< | -150 | -150 | -150 |
| Upper Sidelobe Suppression, Peak to 20° | | dB> | 15 | 15 | 15 |
| Cross-Polar Discrimination | | dB> | 10 | 10 | 10 |
| Maximum Effective Power Per Port | | W | 150 | 150 | 150 |

Representative Pattern Files



Azimuth



Elevation

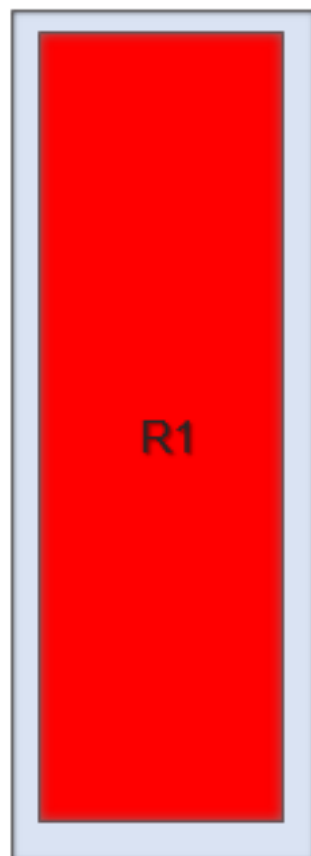
For radiation pattern files, please login at www.alphawireless.com

TECHNICAL SPECIFICATION

Mechanical Specifications

| | | |
|---|------------|-------------------------------------|
| Dimensions | mm (in) | 973 (38.3) x 298 (11.7) - (L x Ø) |
| Packing Size (LxWxD) | mm (in) | 1150 (46) x 351 (13.8) x 351 (13.8) |
| Net Weight (antenna) | kg (lb) | 12 (26) |
| Net Weight (mount) | kg (lb) | 1.5 (3.3) |
| Shipping Weight | kg (lb) | 18.1 (39.9) |
| Connector Type (Female) | - | 4.3-10 |
| Connector Quantity | - | 2 |
| Connector Position | - | Bottom |
| Windload Frontal (at Rated Wind Speed: 150km/h) | N (lbf) | 230 (52) |
| Windload Lateral (at Rated Wind Speed: 150km/h) | N (lbf) | 230 (52) |
| Survival Wind Speed | km/h (mph) | 200 (125) |
| Radome Material | - | UV-Stabilised PVC |
| Radome Colour | RAL | 7035 (light grey) |
| Product Compliance Environmental | - | RoHS |
| Lightning Protection | - | DC Grounded |
| Cold Temperature Survival | °C (°F) | -40 (-40) |
| Hot Temperature Survival | °C (°F) | 70 (158) |

Array Layout and RET Information

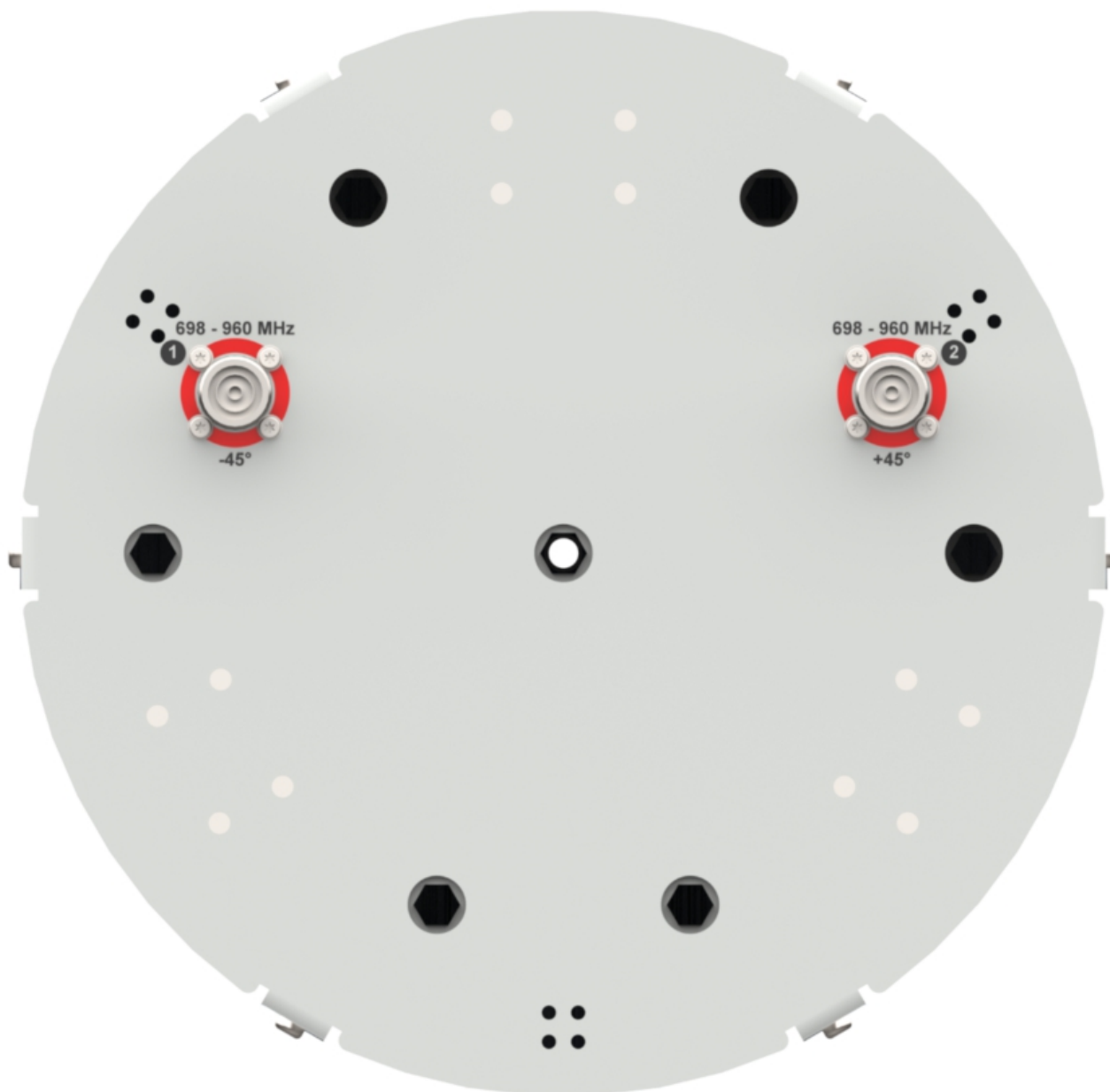
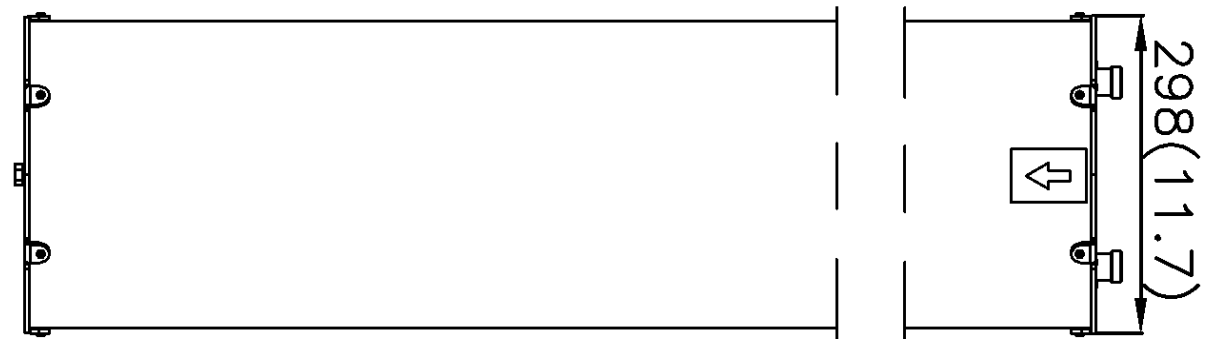
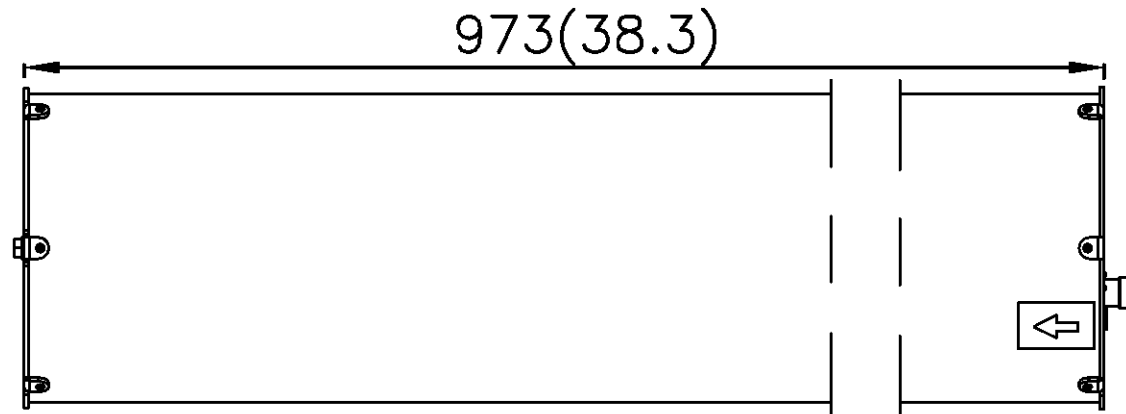
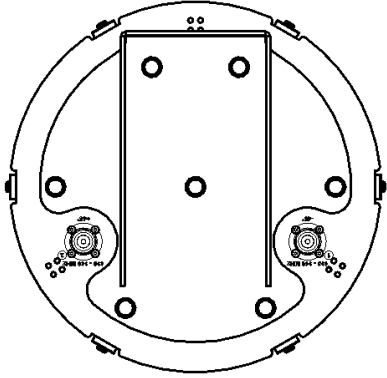


| Array | Frequency MHz | Ports |
|-------|---------------|-------|
| R1 | 698 –960 | 1 – 2 |

Note: Coloured box sizes do not represent antenna sizes.

Mechanical Illustration

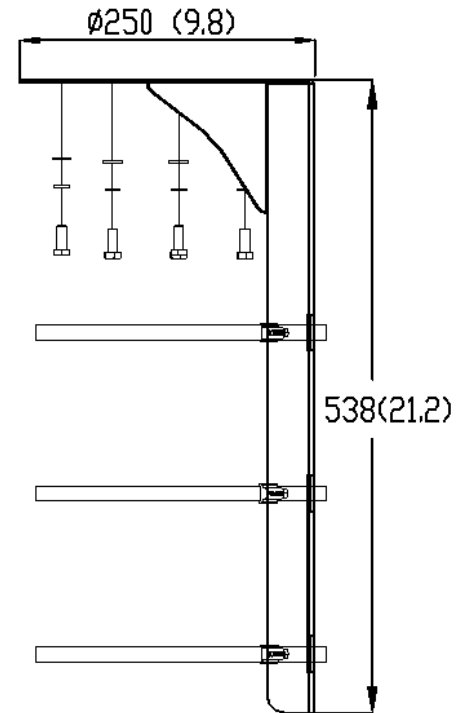
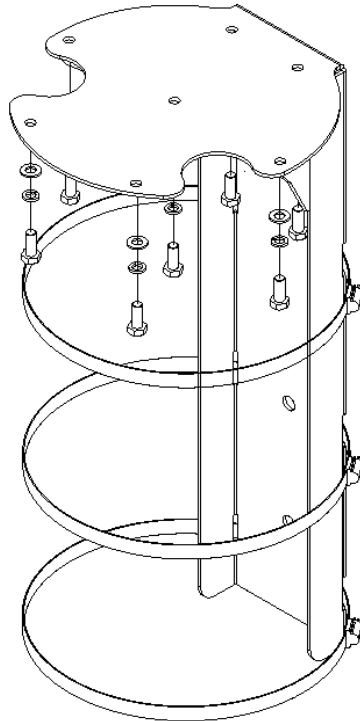
All measurements are in mm (in)



TECHNICAL SPECIFICATION

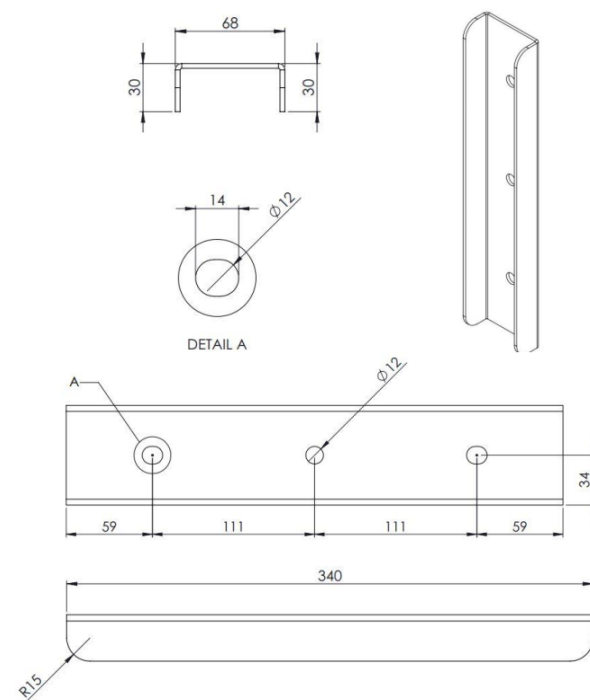
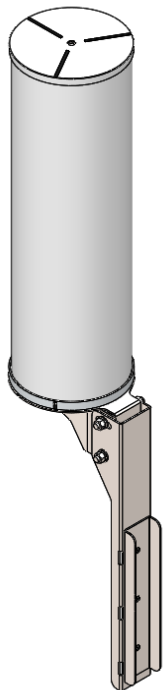
Mounting Bracket Kit

CL-V-166 (Three 210mm - 242mm Straps & Mounting Kit Included with Antenna)



| Mounting Kit Tilt Range | Mounting Kit Material | Mounting Kit Pole Diameter |
|-------------------------|-----------------------|----------------------------|
| N/A | Stainless Steel | 210mm-242mm (8" to 9") |

CL-V-149 U Channel Mounting Bracket (Optional addition for reduced pole diameter)



| Mounting Kit Tilt Range | Mounting Kit Material | Mounting Kit Pole Diameter |
|-------------------------|-----------------------|----------------------------|
| 0° | Stainless Steel | 76.2mm-127mm (3" to 5") |



Ordering Info

Order Code - Antenna

AW3464-T0-F

Description

Zero Degrees Fixed Tilt with 4.3-10 Connectors

Order Code - Accessories

AW1012-2-FM-FM

Description

RF Jumper Cable, connector types 4.3-10 (m) / 4.3-10 (m), length 2 metres (6'6")

AW1012-2-FM-NM

RF Jumper Cable, connector types 4.3-10 (m) / N-Type (m), length 2 metres (6'6")

AW1014-2-FM-TM

RF Jumper Cable, connector types 4.3-10 (m) / Nex10 (m), length 2 metres (6'6")

Enquiries

Global Headquarters

Ashgrove Business Centre,
Ballybrittas, Portlaoise,
R32 DT0A, IRELAND
sales@alphawireless.com
+353 57 86 33847

North America

7301 W. 129th Street, Suite 150,
Overland Park,
KS 66213, USA
sales@alphawireless.com
+1 913 279 0008

Australia

3/76 Regentville Rd,
Jamisontown,
NSW 2750, AUSTRALIA
sales@alphawireless.com
+ 61 2 4504 8212

DISCLAIMER

The information in this document is provided solely regarding Alpha Wireless products. The information is not a guarantee of performance or characteristics. Alpha Wireless reserves the right to modify, change, amend, improve or make corrections to this document and its products, at any time and its sole discretion without prior written consent or notice. No license to any intellectual property rights is granted or implied under this document. Alpha Wireless disclaims warranties and liabilities of any kind including non-infringement of intellectual property rights of any third party.