



DATASHEET

AW3015-T0-F

Common Name- 2 Port,30", B42, 43 & 48 - 90°

3300-3800MHz	2	Fixed	17.0	90°
Frequency	Ports	Tilt	Gain	Beamwidth

PRODUCT INFORMATION

This slimline solution was developed for fixed wireless applications

APPLICATION

Alpha Wireless panel antennas provide wireless network operators the highest performance and quality. Panel antennas are generally used in sectorized applications. These antennas are designed for optimal radiation patterns improving overall network performance. Various tilt options are available to address network optimization requirements.

STANDARD & CERTIFICATIONS

Certification	BS EN ISO 9001:2015
---------------	---------------------



FEATURES

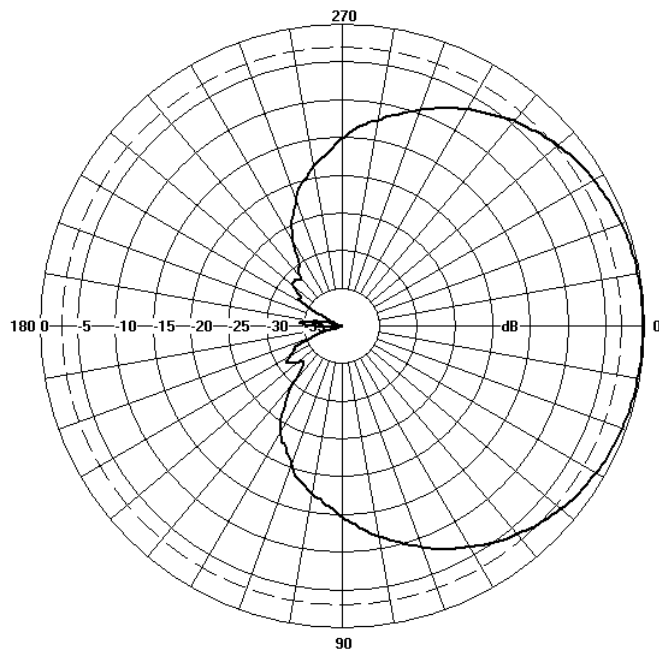
- Wide-band antenna for 3GPP bands 42, 43 & 48.
- Dual Cross polarization antenna +/- 45°
- Mounting bracket with variable tilt (included)
- Manufactured in Ireland

The parameters in this specification follow the definitions and recommendations per NGMN P-Basta, Release 9.6.

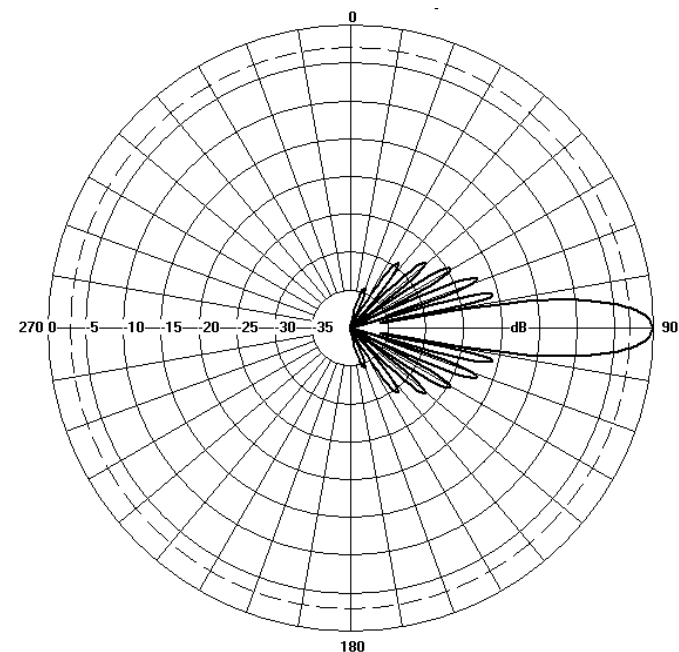
TECHNICAL SPECIFICATION

Electrical Specifications			
Frequency Range		MHz	3300-3800MHz
Polarisation		Degree	+/-45° Slant Linear
Gain	Basta	dBi	16.5±0.5
	Max	dBi	17.0
Azimuth Beamwidth		Degree	90°
Azimuth Beam Squint		Degree<	3°
Elevation Beamwidth		Degree	7°
Electrical Downtilt		Degree	T0°
Electrical Downtilt Deviation		Degree<	1°
Impedance		Ohms	50
VSWR		<	1.5
Return Loss		dB>	14
Isolation		dB>	28
Front to Back Ratio: Total Power +/-30°		dB>	30
Upper Sidelobe Suppression, Peak to 20°		dB>	18
Cross-Polar Discrimination		dB>	16
Maximum Effective Power Per Port		W	100

Representative Pattern Files



Azimuth



Elevation

For radiation pattern files, please login at www.alphawireless.com



TECHNICAL SPECIFICATION

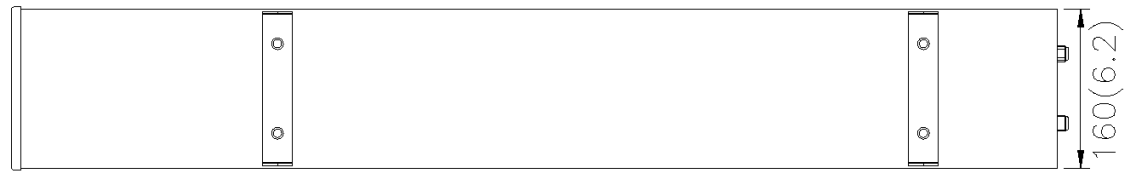
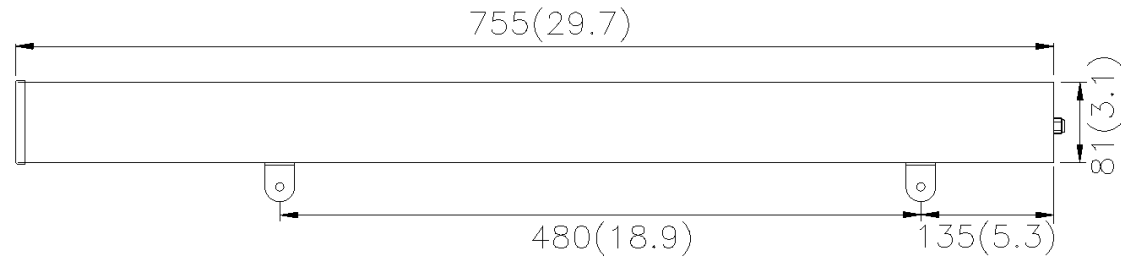
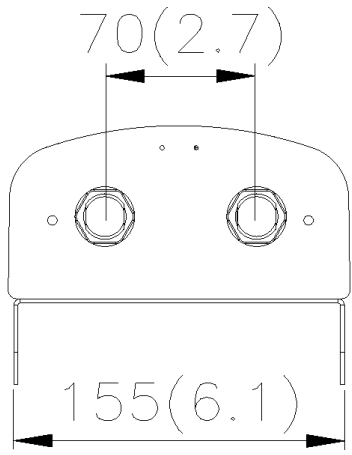
Mechanical Specifications		
Dimensions	mm (in)	755 (29.7) x 160 (6.2) x 81 (3.1) - (L x W x H)
Packing Size (LxWxD)	mm (in)	835(32.8) x 230(9.0) x 170(6.6)
Net Weight (antenna)	kg (lb)	4.3 (9.4)
Net Weight (mount)	kg (lb)	1.4 (3.1)
Shipping Weight	kg (lb)	5.7 (12.5)
Connector Type (Female)	-	4.3-10
Connector Quantity	-	2
Connector Position	-	Bottom
Windload Frontal (at Rated Wind Speed: 150km/h)	N (lbf)	130 (30)
Windload Lateral (at Rated Wind Speed: 150km/h)	N (lbf)	80 (18)
Survival Wind Speed	km/h (mph)	200 (125)
Radome Material	-	UV-Stabilised PVC
Radome Colour	RAL	7035
Product Compliance Environmental	-	RoHS
Lightning Protection	-	DC Grounded
Cold Temperature Survival	°C (°F)	-40 (-40)
Hot Temperature Survival	°C (°F)	70 (158)



AW3015-T0-F

Mechanical Illustration

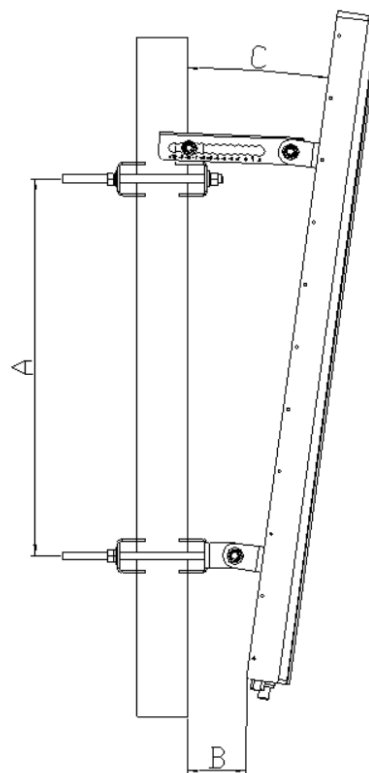
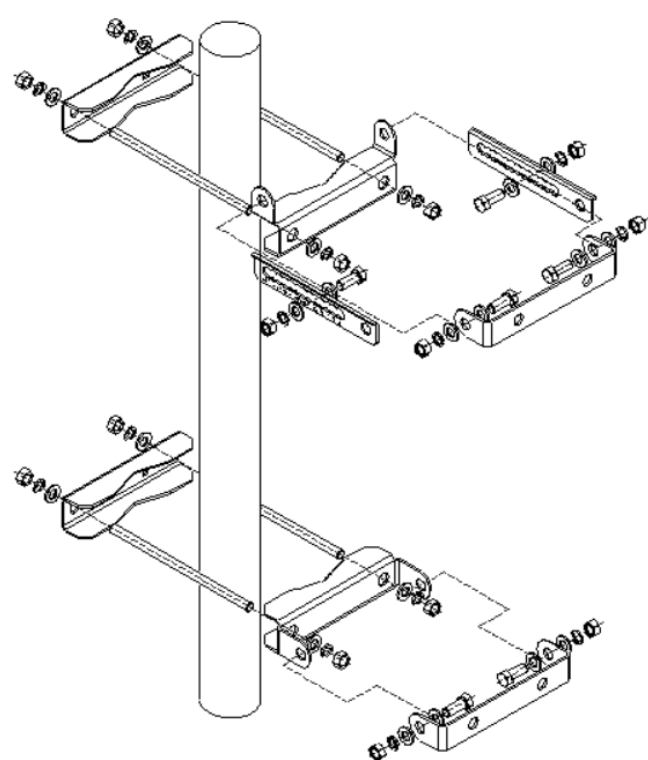
All measurements are in mm (in)



TECHNICAL SPECIFICATION

Mounting Bracket Kit

CL-V-102 M8 Mount Kit (Mount Kit included with antenna)



Mounting Kit Tilt Range	Mounting Kit Material	Mounting Kit Pole Diameter
0° to 10°	Stainless Steel	50mm-115mm (2" to 4.5")

Ordering Info

Order Code - Antenna

AW3015-T0-F

Description

Zero Degrees Fixed Tilt with 4.3-10 Connectors

Order Code - Accessories

AW1012-2-FM-FM

Description

RF Jumper Cable, connector types 4.3-10 (m) / 4.3-10 (m), length 2 metres (6'6")

AW1012-2-FM-NM

RF Jumper Cable, connector types 4.3-10 (m) / N-Type (m), length 2 metres (6'6")

AW1014-2-FM-TM

RF Jumper Cable, connector types 4.3-10 (m) / Nex10 (m), length 2 metres (6'6")

Enquiries

Global Headquarters

Ashgrove Business Centre,
Ballybrittas, Portlaoise, Ireland
Post code: R32 DTOA
sales@alphawireless.com
+353 57 86 33847

North America

7301 W. 129th Street, Suite 150
Overland Park,
KS 66213, USA
sales@alphawireless.com
+1 913 279 0008

Australia

3/76 Regentville Rd,
Jamisontown
NSW 2750 AUSTRALIA
sales@alphawireless.com
+ 61 2 4504 8212

Alpha Wireless

DISCLAIMER

The information in this document is provided solely regarding Alpha Wireless products. The information is not a guarantee of performance or characteristics. Alpha Wireless reserves the right to modify, change, amend, improve or make corrections to this document and its products, at any time and its sole discretion without prior written consent or notice. No license to any intellectual property rights is granted or implied under this document. Alpha Wireless disclaims warranties and liabilities of any kind including non-infringement of intellectual property rights of any third party.