



# DATASHEET

## AW3023-T0-F

Common Name- 4 Port,30", B42, 43 & 48 - 65°

3300-3800MHz	4	Fixed	18.0	65°
Frequency	Ports	Tilt	Gain	Beamwidth

### PRODUCT INFORMATION

This solution was developed for fixed wireless applications to cover 3300-3800MHz covering LTE Bands B42, 43 & 48 and 5G NR Band n78. This four port antenna supports MIMO 4x4 applications.

### APPLICATION

Alpha Wireless panel antennas provide wireless network operators the highest performance and quality. Panel antennas are generally used in sectorized applications. These antennas are designed for optimal radiation patterns improving overall network performance. A horizontally spaced array provides enhance MIMO performance with full 4x4 operation or receive diversity RF functions. Various tilt options are available to address network optimization requirements.

### STANDARD & CERTIFICATIONS

Certification	BS EN ISO 9001:2015
---------------	---------------------



### FEATURES

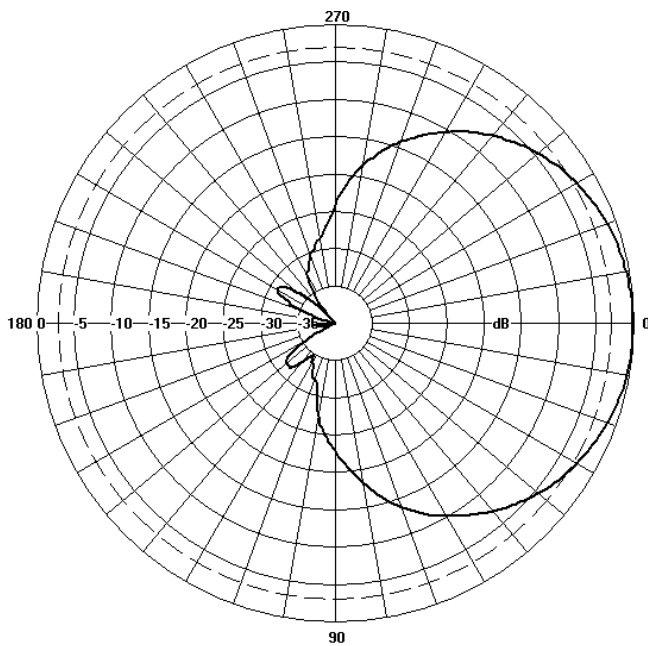
- Wide-band antenna that covers LTE Bands 42, 43 & 48 and 5G NR Band n78. Includes CBRS Band.
- 4x4 MIMO for maximum throughput
- Mounting bracket with variable tilt (included)
- Manufactured in Ireland

*The parameters in this specification follow the definitions and recommendations per NGMN P-Basta, Release 9.6.*

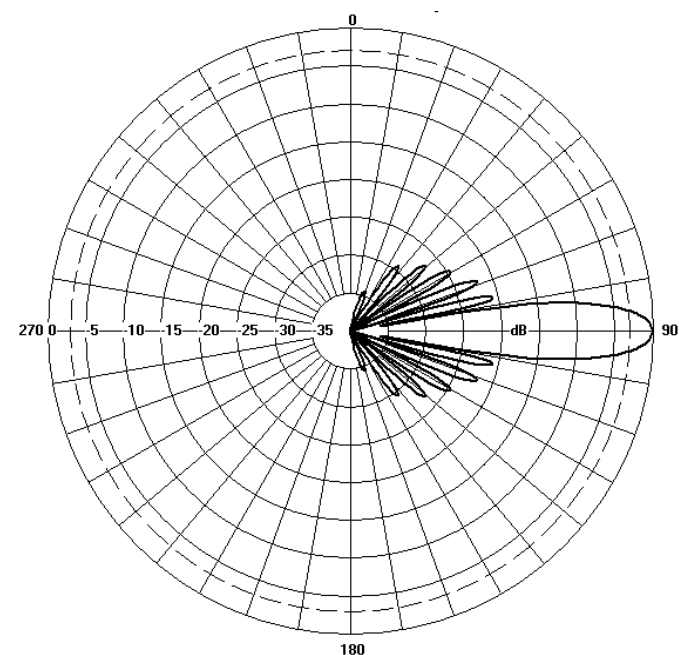
## TECHNICAL SPECIFICATION

Electrical Specifications			
Frequency Range		MHz	3300-3800MHz
Polarisation		Degree	+/-45° Slant Linear
Gain	Basta	dBi	17.5±0.5
	Max	dBi	18.0
Azimuth Beamwidth		Degree	65°
Azimuth Beam Squint		Degree<	3°
Elevation Beamwidth		Degree	7°
Electrical Downtilt		Degree	T0°
Electrical Downtilt Deviation		Degree<	1°
Impedance		Ohms	50
VSWR		<	1.5
Return Loss		dB>	14
Isolation		dB>	28
Front to Back Ratio: Total Power +/-30°		dB>	30
Upper Sidelobe Suppression, Peak to 20°		dB>	18
Cross-Polar Discrimination		dB>	16
Maximum Effective Power Per Port		W	100

## Representative Pattern Files



Azimuth



Elevation

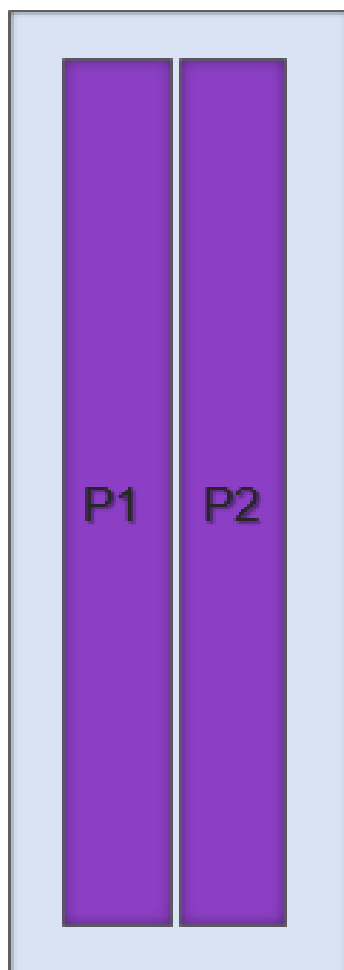
For radiation pattern files, please login at [www.alphawireless.com](http://www.alphawireless.com)

## TECHNICAL SPECIFICATION

## Mechanical Specifications

Dimensions	mm (in)	750 (29.5) x 280 (11) x 85 (3.3) - (L x W x H)
Packing Size (LxWxD)	mm (in)	823(32.4) x 340(13.3) x 178(7)
Net Weight (antenna)	kg (lb)	4.3 (9.4)
Net Weight (mount)	kg (lb)	1.6 (3.5)
Shipping Weight	kg (lb)	6.8 (15.0)
Connector Type (Female)	-	4.3-10
Connector Quantity	-	4
Connector Position	-	Bottom
Windload Frontal (at Rated Wind Speed: 150km/h)	N (lbf)	220 (50)
Windload Lateral (at Rated Wind Speed: 150km/h)	N (lbf)	80 (18)
Survival Wind Speed	km/h (mph)	200 (125)
Radome Material	-	UV-Stabilised PVC
Radome Colour	RAL	7035 (light grey)
Product Compliance Environmental	-	RoHS
Lightning Protection	-	DC Grounded
Cold Temperature Survival	°C (°F)	-40 (-40)
Hot Temperature Survival	°C (°F)	70 (158)

## Array Layout and RET Information

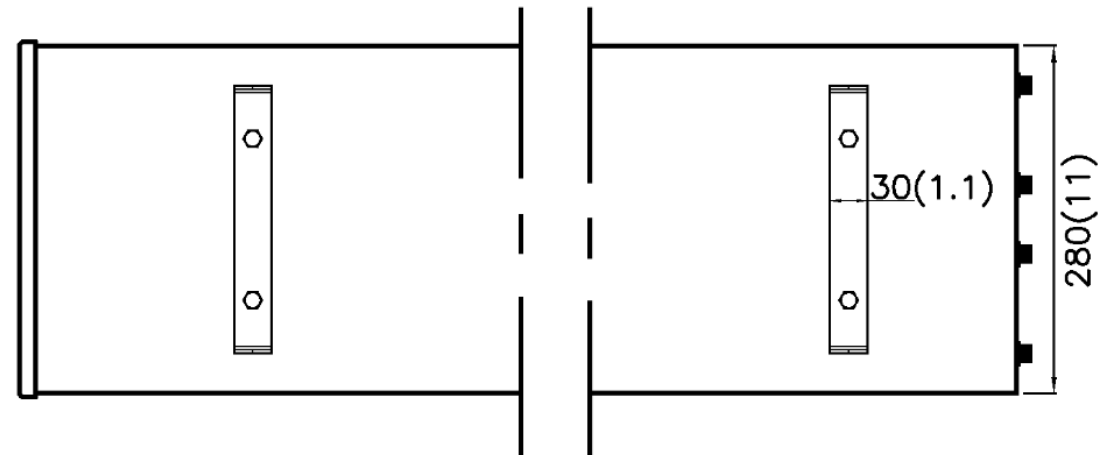
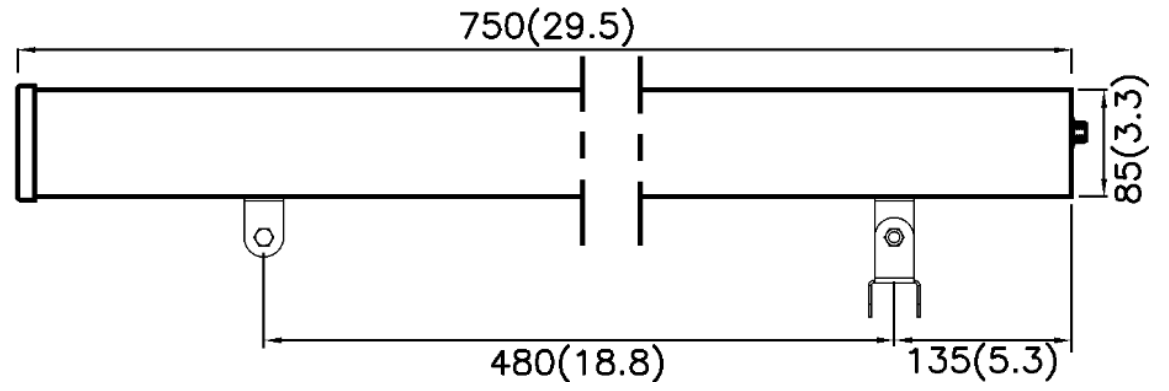
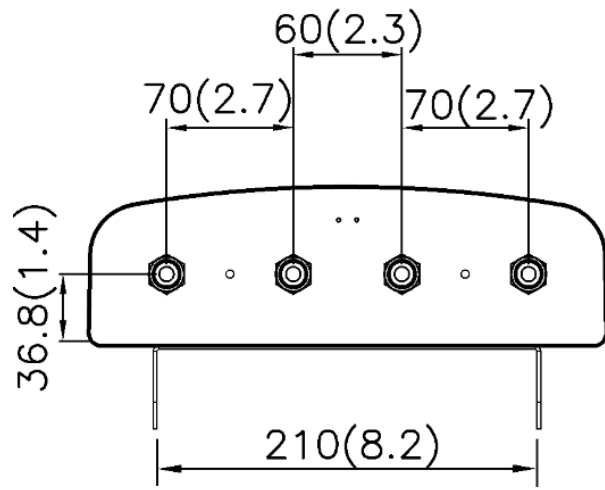


Array	Frequency MHz	Ports
P1	3300 – 3800	1 – 2
P2	3300 – 3800	3 – 4

*Note: Coloured box sizes do not represent antenna sizes.*

Mechanical Illustration

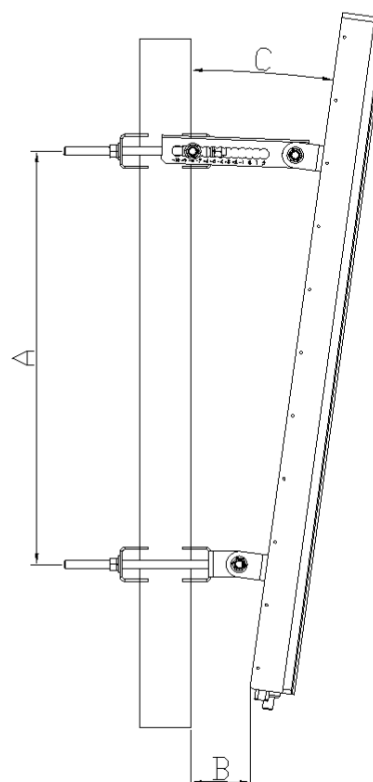
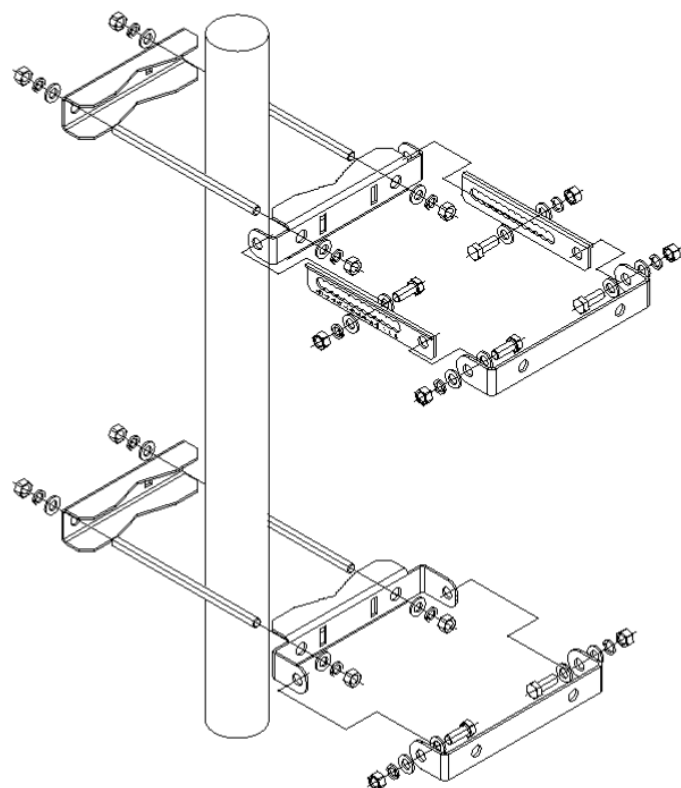
All measurements are in mm (in)



## TECHNICAL SPECIFICATION

### Mounting Bracket Kit

#### CL-V-104-M8 Mount Kit (Mount Kit included with antenna)



Mounting Kit Tilt Range	Mounting Kit Material	Mounting Kit Pole Diameter
+2° to -10°	Stainless Steel	50mm-115mm (2" to 4.5")

### Ordering Info

#### Order Code - Antenna

AW3023-T0-F

#### Description

Zero Degrees Fixed Tilt with 4.3-10 Connectors

#### Order Code - Accessories

AW1012-2-FM-FM

#### Description

RF Jumper Cable, connector types 4.3-10 (m) / 4.3-10 (m), length 2 metres (6'6")

AW1012-2-FM-NM

RF Jumper Cable, connector types 4.3-10 (m) / N-Type (m), length 2 metres (6'6")

AW1014-2-FM-TM

RF Jumper Cable, connector types 4.3-10 (m) / Nex10 (m), length 2 metres (6'6")

### Enquiries

#### Global Headquarters

Ashgrove Business Centre,  
Ballybrittas, Portlaoise,  
R32 DT0A, IRELAND  
[sales@alphawireless.com](mailto:sales@alphawireless.com)  
+353 57 86 33847

#### North America

7301 W. 129th Street, Suite 150,  
Overland Park,  
KS 66213, USA  
[sales@alphawireless.com](mailto:sales@alphawireless.com)  
+1 913 279 0008

#### Australia

3/76 Regentville Rd,  
Jamisontown,  
NSW 2750, AUSTRALIA  
[sales@alphawireless.com](mailto:sales@alphawireless.com)  
+ 61 2 4504 8212

### DISCLAIMER

The information in this document is provided solely regarding Alpha Wireless products. The information is not a guarantee of performance or characteristics. Alpha Wireless reserves the right to modify, change, amend, improve or make corrections to this document and its products, at any time and its sole discretion without prior written consent or notice. No license to any intellectual property rights is granted or implied under this document. Alpha Wireless disclaims warranties and liabilities of any kind including non-infringement of intellectual property rights of any third party.

© Alpha Wireless Limited 2022