



# DATASHEET

## AW3088-T0-F

Common Name- 2 Port, 37", B40, Omni Canister

2300-2500MHz	2	Fixed	11.0	360°
Frequency	Ports	Tilt	Gain	Beamwidth

### PRODUCT INFORMATION

The **AW3088** is a two-port omnidirectional canister covering the 2300 – 2500 MHz frequency band. This omni antenna has dual  $\pm 45^\circ$  slant polarization and fixed electrical tilt of the elevation beam. It delivers a high 11 dBi gain in a compact 37" length. The AW3088 is a cost-effective solution to provide 360° of horizontal coverage for 4G and 5G private networks using the 2.3 GHz and 2.5 GHz S-band, Broadband Radio Service (BRS), and Education Broadband Service (EBS) spectrums.

Canisters provide multiple antennas into one attractive package. These canisters deliver an elegant macro solutions for pole-top, rooftop and streetworks applications. Alpha Wireless produces the highest performance, smallest diameter canister in the marketplace.

### APPLICATION

Alpha Wireless pseudo omni antenna provides 360° coverage whilst in an ultra-compact radome design. There are a number of mounting options available making deployments on lamp posts, utility poles, walls and other vertical structures possible. The 2 port antenna provides 2X2 MIMO for improved data throughput with options for various fixed tilt settings.

### STANDARD & CERTIFICATIONS

Certification	BS EN ISO 9001:2015
---------------	---------------------



### FEATURES

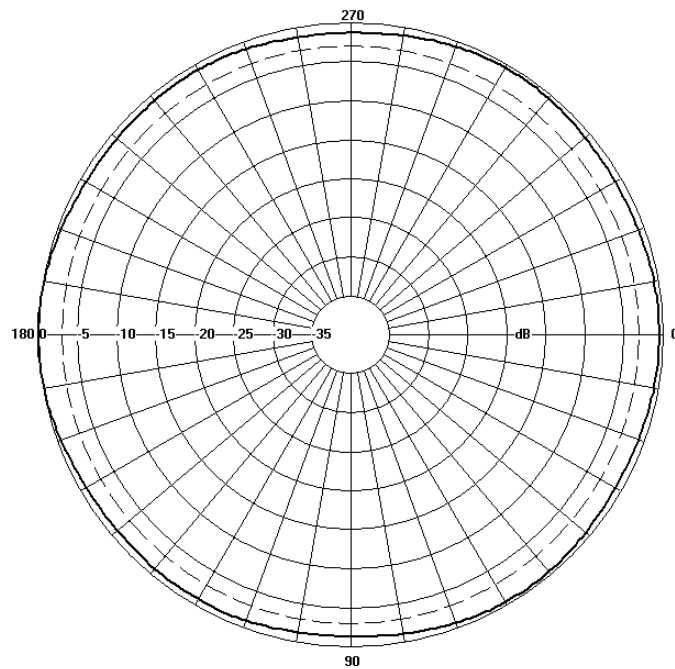
- Optimized Pseudo omni with reduced azimuth ripple
- Pole Mount Kit included with antenna
- Slim monopole design to reduce wind loading
- Manufactured in Ireland

*The parameters in this specification follow the definitions and recommendations per NGMN P-Basta, Release 9.6.*

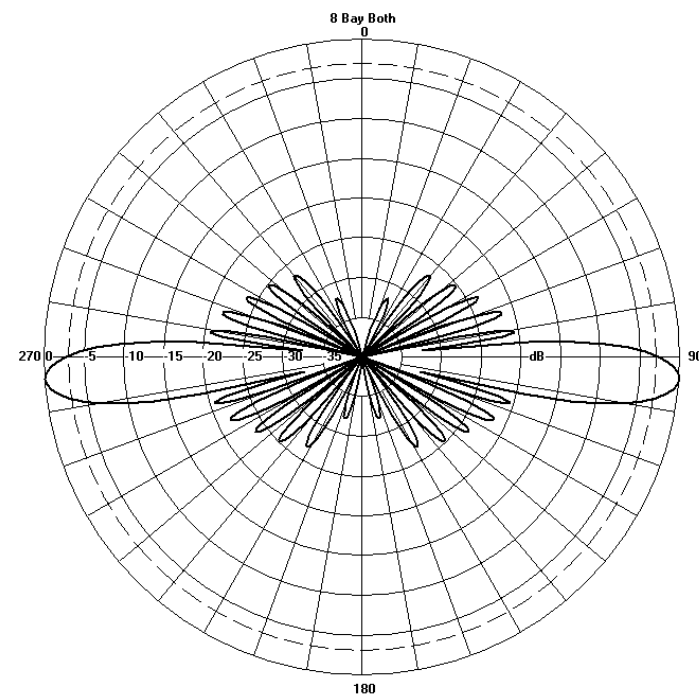
## TECHNICAL SPECIFICATION

Electrical Specifications			
Frequency Range	MHz	2300 - 2500MHz	
Polarisation	Degree	+/- 45° Slant Linear	
Gain	Basta	dBi	10.5±0.5
	Max	dBi	11.0
Azimuth Beamwidth	Degree	360°	
Elevation Beamwidth	Degree	8°	
Electrical Downtilt	Degree	T0°	
Electrical Downtilt Deviation	Degree<	1°	
Impedance	Ohms	50	
VSWR	<	1.5	
Return Loss	dB>	14	
Isolation	dB>	25	
Upper Sidelobe Suppression, Peak to 20°	dB>	15	
Cross-Polar Discrimination	dB>	10	
Maximum Effective Power Per Port	W	200	

## Representative Pattern Files



Azimuth



Elevation

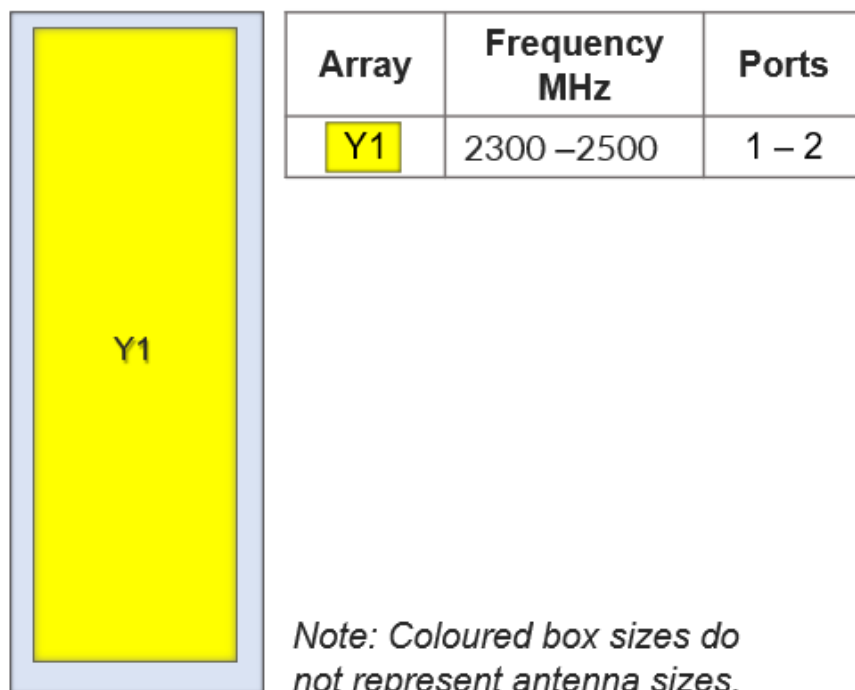
For radiation pattern files, please login at [www.alphawireless.com](http://www.alphawireless.com)

## TECHNICAL SPECIFICATION

## Mechanical Specifications

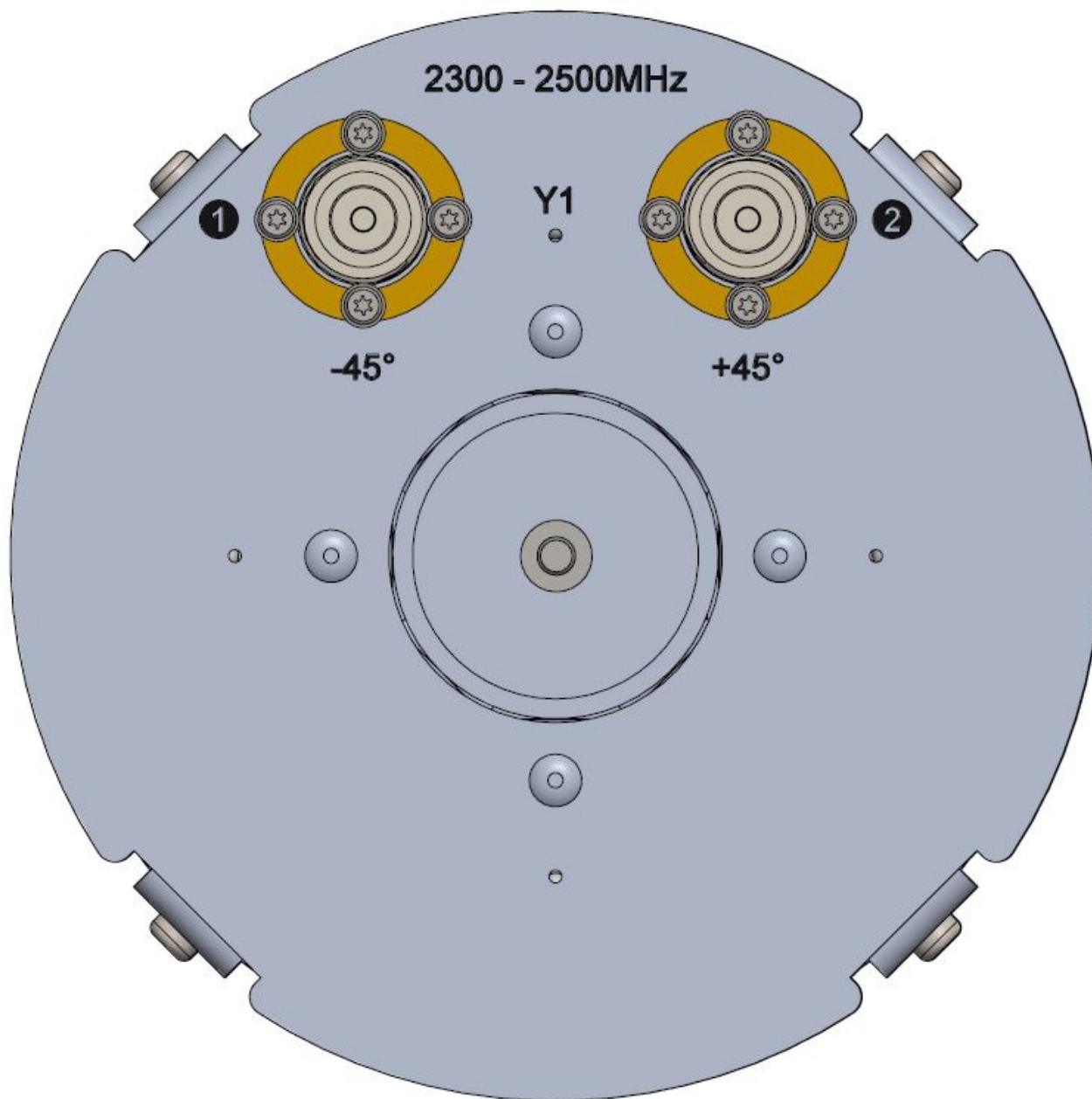
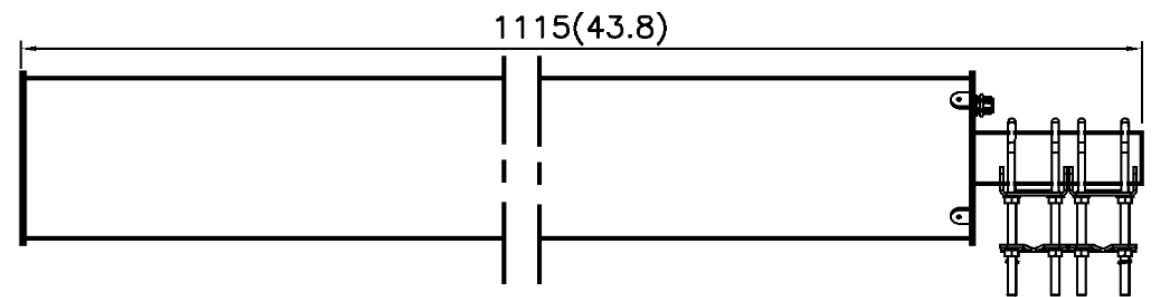
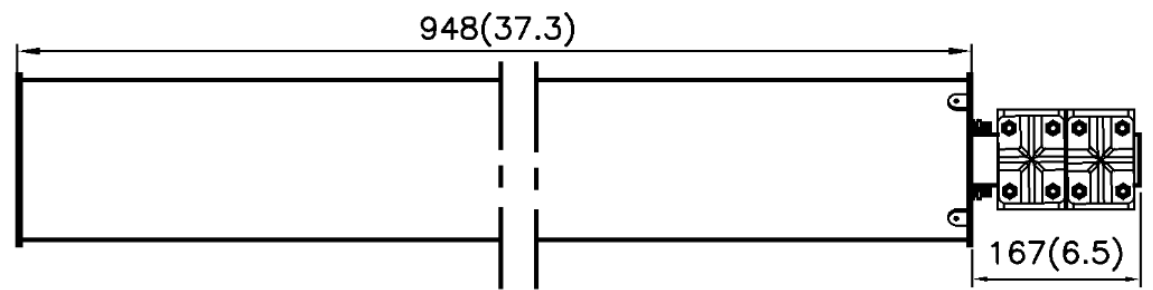
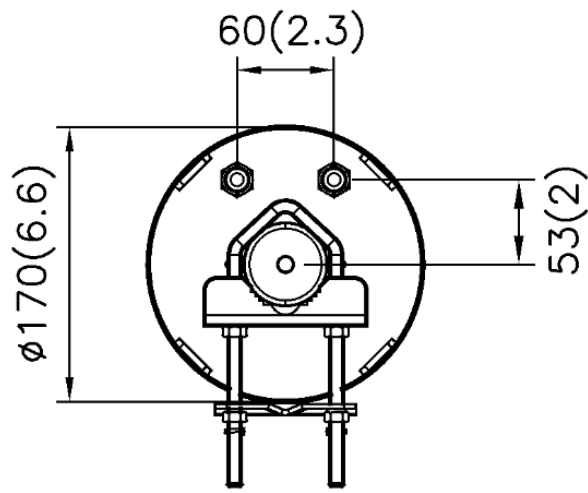
Dimensions	mm (in)	948 (37.3) x 170 (6.6) - (L x Ø)
Packing Size (LxWxD)	mm (in)	1150 (45.2) x 200 (7.8) x 200 (7.8)
Net Weight (antenna)	kg (lb)	5.5 (12.1)
Net Weight (mount)	kg (lb)	1.0 (2.2)
Shipping Weight	kg (lb)	6.5 (14.3)
Connector Type (Female)	-	4.3-10
Connector Quantity	-	2
Connector Position	-	Bottom
Windload Frontal (at Rated Wind Speed: 150km/h)	N (lbf)	140 (32)
Windload Lateral (at Rated Wind Speed: 150km/h)	N (lbf)	140 (32)
Survival Wind Speed	km/h (mph)	200 (125)
Radome Material	-	UV-Stabilised PVC
Radome Colour	RAL	9010
Product Compliance Environmental	-	RoHS
Lightning Protection	-	DC Grounded
Cold Temperature Survival	°C (°F)	-40 ( - 40)
Hot Temperature Survival	°C (°F)	70 (158)

## Array Layout and RET Information



Mechanical Illustration

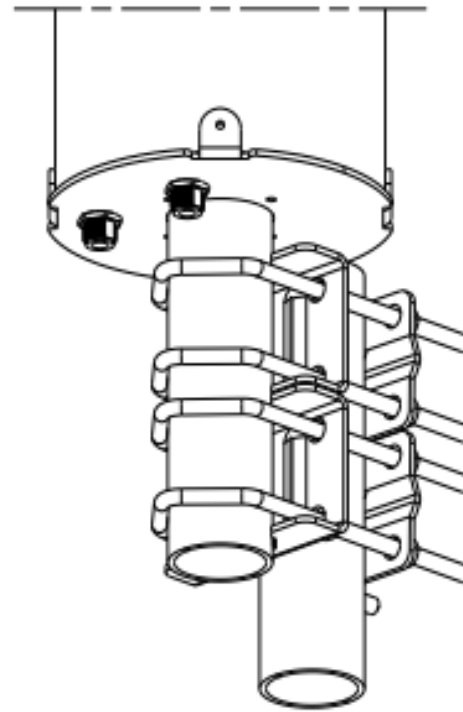
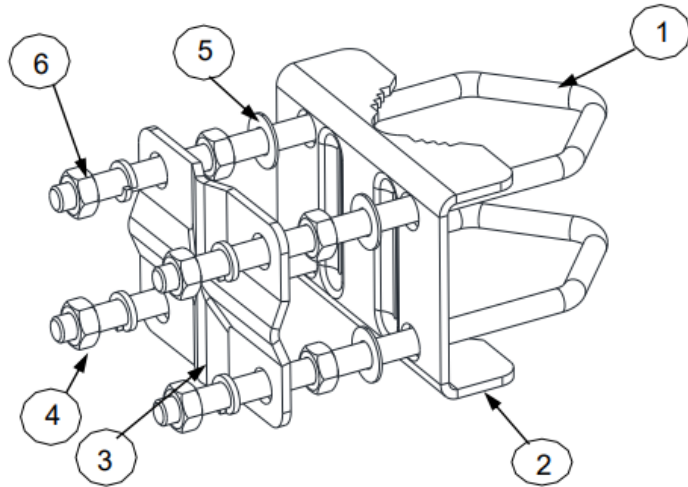
All measurements are in mm (in)



## TECHNICAL SPECIFICATION

### Mounting Bracket Kit

#### CL-V-112 (Mounting Kit included with Antenna)



Mounting Kit Tilt Range	Mounting Kit Material	Mounting Kit Pole Diameter
N/A	Galvanised Steel	30mm-50mm (1.2" to 2")

### Ordering Info

#### Order Code - Antenna

AW3088-T0-F

#### Order Code - Accessories

AW1012-2-FM-FM

AW1012-2-FM-NM

AW1014-2-FM-TM

#### Description

Zero Degrees Fixed Tilt with 4.3-10 Connectors

#### Description

RF Jumper Cable, connector types 4.3-10 (m) / 4.3-10 (m), length 2 metres (6'6")

RF Jumper Cable, connector types 4.3-10 (m) / N-Type (m), length 2 metres (6'6")

RF Jumper Cable, connector types 4.3-10 (m) / Nex10 (m), length 2 metres (6'6")

### Enquiries

#### Global Headquarters

Ashgrove Business Centre,  
Ballybrittas, Portlaoise,  
R32 DT0A, IRELAND  
[sales@alphawireless.com](mailto:sales@alphawireless.com)  
+353 57 86 33847

#### North America

7301 W. 129th Street, Suite 150,  
Overland Park,  
KS 66213, USA  
[sales@alphawireless.com](mailto:sales@alphawireless.com)  
+1 913 279 0008

#### Australia

3/76 Regentville Rd,  
Jamisontown,  
NSW 2750, AUSTRALIA  
[sales@alphawireless.com](mailto:sales@alphawireless.com)  
+ 61 2 4504 8212

### DISCLAIMER

The information in this document is provided solely regarding Alpha Wireless products. The information is not a guarantee of performance or characteristics. Alpha Wireless reserves the right to modify, change, amend, improve or make corrections to this document and its products, at any time and its sole discretion without prior written consent or notice. No license to any intellectual property rights is granted or implied under this document. Alpha Wireless disclaims warranties and liabilities of any kind including non-infringement of intellectual property rights of any third party.

© Alpha Wireless Limited 2022