



DATASHEET

AW3296

Common Name- 2 Port B41 - 90°- eRET

| | | | | |
|--------------|-------|------|------|-----------|
| 2496-2690MHz | 2 | eRET | 16.2 | 90° |
| Frequency | Ports | Tilt | Gain | Beamwidth |

PRODUCT INFORMATION

Introduced into the solutions portfolio to address a number of different macro site deployment options

APPLICATION

Alpha Wireless panel antennas provide wireless network operators the highest performance and quality. Panel antennas are generally used in sectorized applications. These antennas are designed for optimal radiation patterns improving overall network performance. The integrated remote electrical tilt antenna allow instant optimization to improve coverage and throughput.

STANDARD & CERTIFICATIONS

| | |
|---------------|---------------------|
| Certification | BS EN ISO 9001:2015 |
|---------------|---------------------|



FEATURES

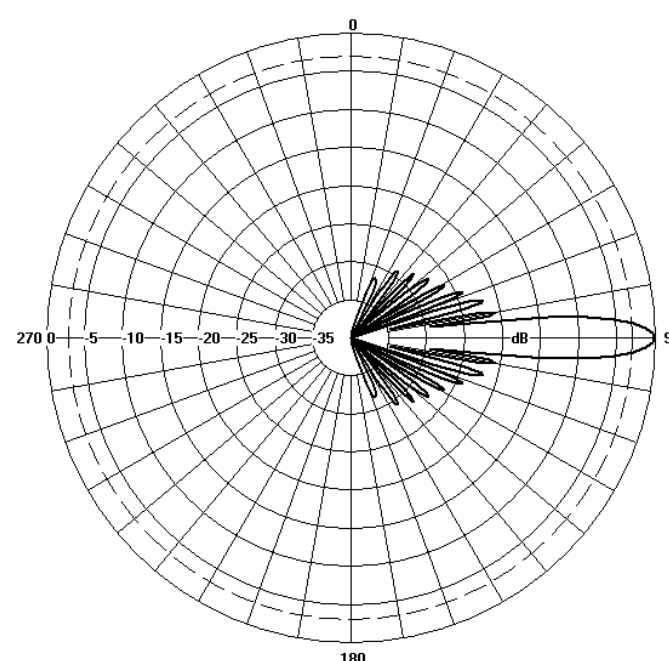
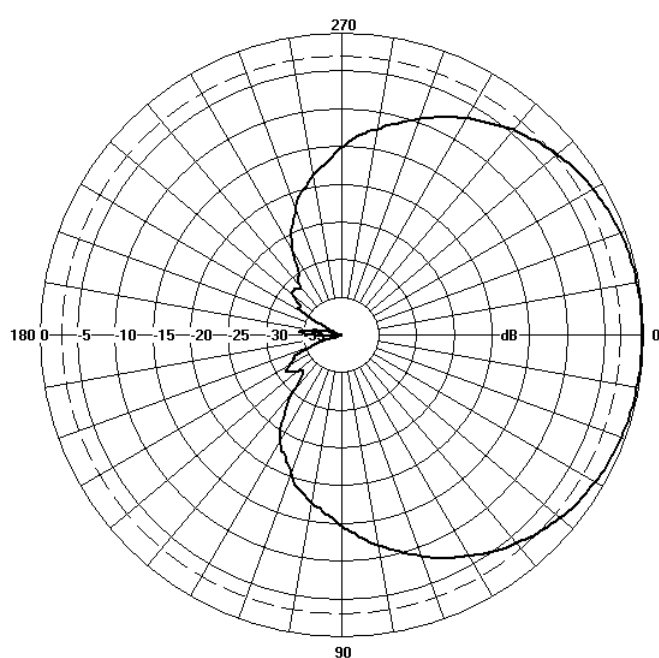
- Optimised for 3GPP band 38 & 41
- Dual Cross polarization antenna +/- 45°
- Enhanced tilt range of 0 to 6 degrees
- AISG 2.0 compatible

The parameters in this specification follow the definitions and recommendations per NGMN P-Basta, Release 9.6.

TECHNICAL SPECIFICATION

| Electrical Specifications | | |
|-----------------------------------------|---------|----------------------|
| Frequency Range | MHz | 2496 - 2690MHz |
| Polarisation | Degree | +/- 45° Slant Linear |
| Gain | | |
| Min Tilt | dBi | 16.5 (T0) |
| Mid Tilt | dBi | 16.3 (T3) |
| Max Tilt | dBi | 16.0 (T6) |
| Overall Tilts | dBi | 16.2 |
| Azimuth Beamwidth | Degree | 90° |
| Azimuth Beam Squint | Degree< | 3° |
| Elevation Beamwidth | Degree | 5.5° |
| Electrical Downtilt | Degree | T0° - T6° |
| Electrical Downtilt Deviation | Degree< | 1° |
| Impedance | Ohms | 50 |
| VSWR | < | 1.43 |
| Return Loss | dB> | 15 |
| Isolation | dB> | 28 |
| Front to Back Ratio: Total Power +/-30° | dB> | 28 |
| Passive Intermodulation | dBc< | -150 |
| Upper Sidelobe Suppression, Peak to 20° | dB> | 18 |
| Cross-Polar Discrimination | dB> | 16 |
| Maximum Effective Power Per Port | W | 250 |

Radiation Pattern Files



Azimuth

Elevation

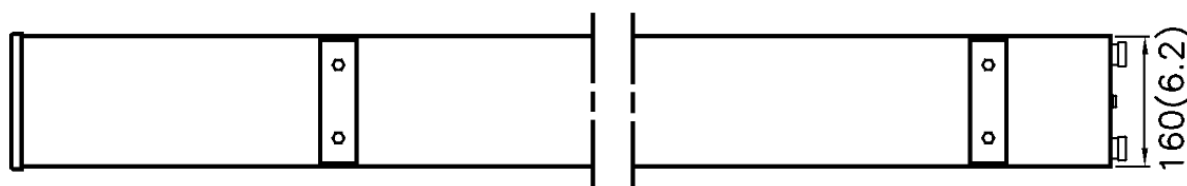
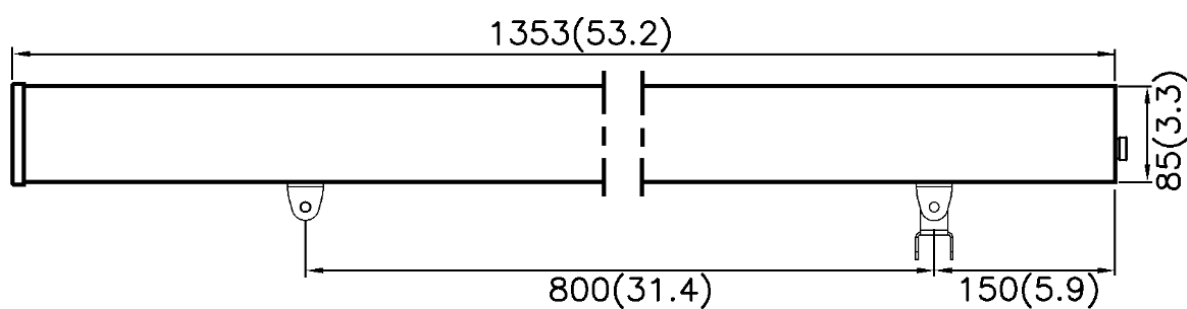
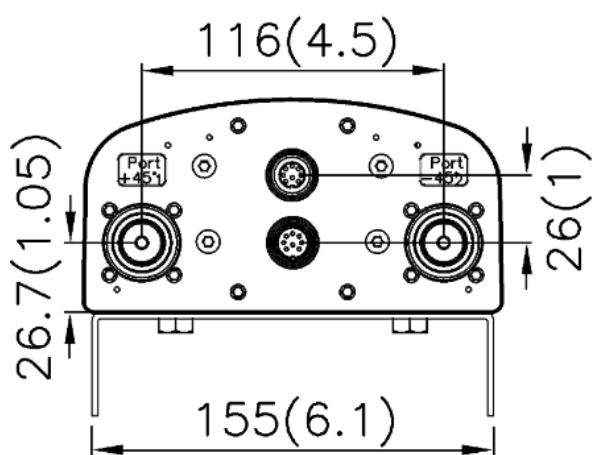
For radiation pattern files, please login at www.alphawireless.com

TECHNICAL SPECIFICATION

| Mechanical Specifications | | |
|-------------------------------------------------|------------|------------------------------------|
| Dimensions (LxØ) | mm (in) | 1353 (53.2) x 160 (6.2) x 85 (3.3) |
| Packing Size (LxWxD) | mm (in) | 1505 (59.2) x 240 (9.4) x 178 (7) |
| Net Weight (antenna) | kg (lb) | 8 (17.6) |
| Net Weight (mount) | kg (lb) | 1.4 (3.1) |
| Shipping Weight | kg (lb) | 9.4 (20.7) |
| Connector Type (Female) | - | 7/16 DIN |
| Connector Quantity | - | 2 |
| Connector Position | - | Bottom |
| Windload Frontal (at Rated Wind Speed: 150km/h) | N (lbf) | 260 (59) |
| Windload Lateral (at Rated Wind Speed: 150km/h) | N (lbf) | 150 (34) |
| Survival Wind Speed | km/h (mph) | 200 (125) |
| Radome Material | - | UV-Stabilised PVC |
| Radome Colour | RAL | 7035 |
| Product Compliance Environmental | - | RoHS |
| Lightening Protection | - | DC Grounded |
| Cold Temperature Survival | °C (°F) | -40 (-40) |
| Hot Temperature Survival | °C (°F) | 70 (158) |

Mechanical Illustration

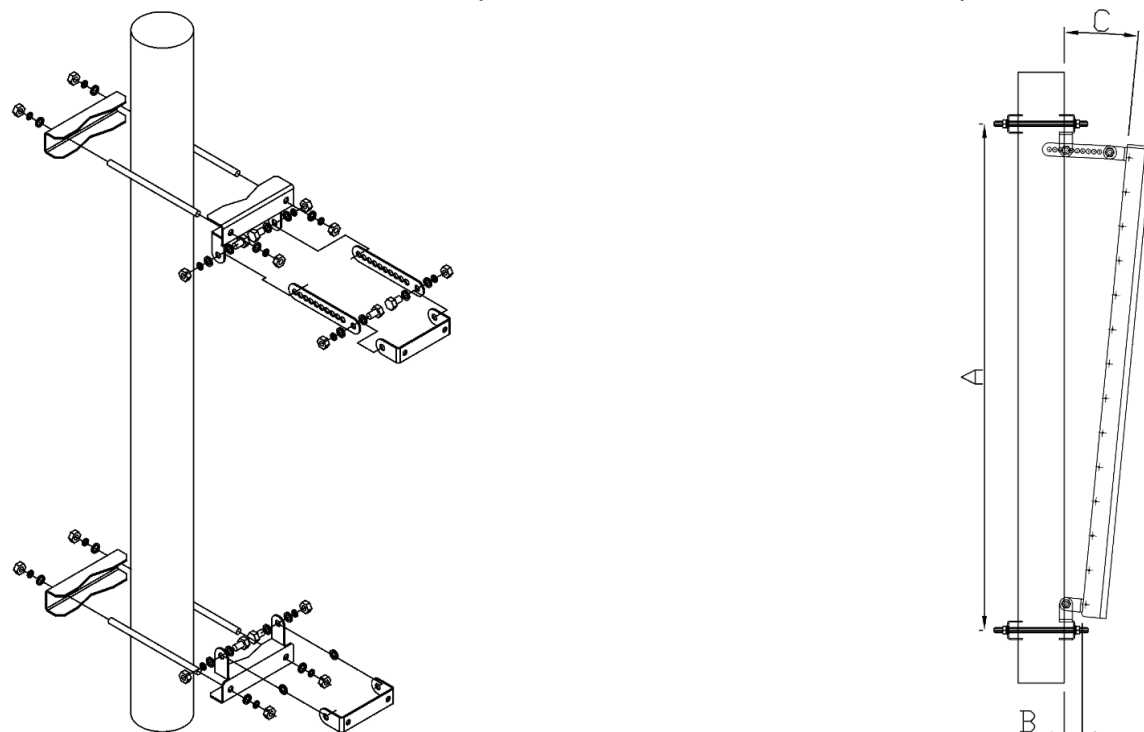
All measurements are in mm (in)



TECHNICAL SPECIFICATION

Mounting Bracket Kit

CL-V-102 Mount Kit M8 2.0mm (Mount Kit included with antenna)



| Mounting Kit Tilt Range | Mounting Kit Material | Mounting Kit Pole Diameter |
|-------------------------|-----------------------|----------------------------|
| 0° to 10° | Stainless Steel | 50mm-115mm (2" to 4.5") |

ACCESSORIES

PADC-1000 (for eRET only)

SADC-1000 (for eRET only)

ORDERING INFO

AW3296-E-D Enclosed Remote Electrical Tilt (eRET) with 7/16 DIN Connectors

Enquiries

Ireland

Ashgrove Business Centre,
Ballybrittas, Portlaoise, Ireland
Post code: R32 D0A
sales@alphawireless.com
+353 57 86 33847

USA

11322 W 79th St, Lenexa, KS
66214, USA
sales@alphawireless.com
+1 913 279 0008

Alpha Wireless



DISCLAIMER

The information in this document is provided solely regarding Alpha Wireless products. The information is not a guarantee of performance or characteristics. Alpha Wireless reserves the right to modify, change, amend, improve or make corrections to this document and its products, at any time and its sole discretion without prior written consent or notice. No license to any intellectual property rights is granted or implied under this document. Alpha Wireless disclaims warranties and liabilities of any kind including non-infringement of intellectual property rights of any third party.

© Alpha Wireless Limited 2014