



AW3359-E-F

Common Name - 12 Port, AltaFlex, High Band Tri-Sector

1710-2690MHz	12	eRET	17.5	65°
Frequency	Ports	Tilt	Gain	Beamwidth

PRODUCT INFORMATION

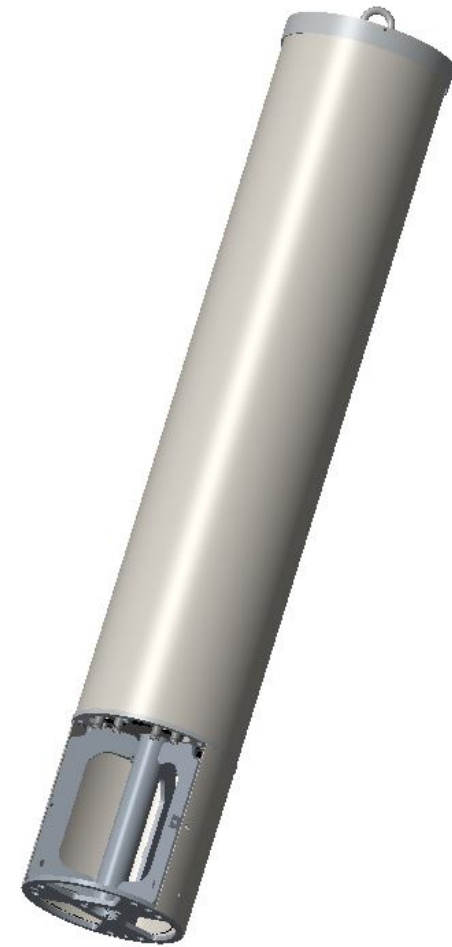
This antenna has three sectors orientated at 0, 120 and 240 degrees azimuth. Each sector has four Mid-Band ports. Remote Electrical tilt allows tilt optimisation to improve coverage and throughput. Designed for compact, aesthetically pleasing applications.

APPLICATION

Canisters provide multiple antennas into one attractive package with low visual impact which enables quick site approval. These canisters deliver an elegant macro solution for pole top, rooftop and street works applications. Alpha Wireless produces the highest performance, smallest diameter in the marketplace. The AW3359 AltaFlex canister houses dual high band array for 4x4 or dual operator.

STANDARD & CERTIFICATIONS

Certification	BS EN ISO 9001:2015
---------------	---------------------



FEATURES

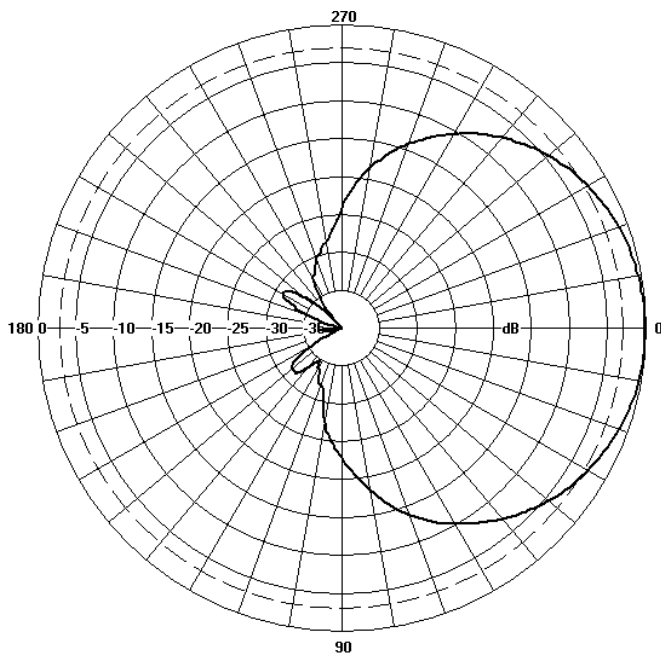
- Tri-sector antenna covering 1710 - 2690MHz.
- Compact design for low visual impact.
- Independent tilt on each sector.
- Flange mount design.
- Low PIM performance to reduce interference.

The parameters in this specification follow the definitions and recommendations per NGMN P-Basta, Release 9.6.

TECHNICAL SPECIFICATION

Electrical Specifications								
Frequency Range	MHz	1710-1880	1850-1990	1920-2170	2300-2500	2500-2690		
Polarisation	Degree	+/- 45° Slant Linear						
Gain	Basta	dBi	17.0±0.5	17.2±0.5	17.3±0.5	17.5±0.5	17.5±0.5	
	Max	dBi	17.5	17.7	17.8	18.0	18.0	
Azimuth Beamwidth	Degree	69°	67°	67°	60°	60°		
Azimuth Beam Squint	Degree<	3°						
Elevation Beamwidth	Degree	6.5°	6.4°	6.2°	6.1°	6.0°		
Electrical Downtilt	Degree	T0° - T10°	T0° - T10°	T0° - T10°	T0° - T10°	T0° - T10°		
Electrical Downtilt Deviation	Degree<	1°	1°	1°	1°	1°		
Impedance	Ohms	50						
VSWR	<	1.5						
Return Loss	dB>	14						
Isolation	dB>	25	25	25	25	25		
Passive Intermodulation	dBc<	-150	-150	-150	-150	-150		
Upper Sidelobe Suppression, Peak to 20°	dB>	16	16	16	15	15		
Cross-Polar Discrimination	dB>	15	15	15	15	15		
Maximum Effective Power Per Port	W	250	250	250	250	250		

Representative Pattern Files



Azimuth

Elevation

For radiation pattern files, please login at www.alphawireless.com

TECHNICAL SPECIFICATION

Mechanical Specifications		
Dimensions	mm (in)	1830 (72) x 330 (13) - (L x Ø)
Packing Size (LxWxD)	mm (in)	2000 (79) x 500 (20) x 590 (23)
Net Weight (antenna)	kg (lb)	56 (123)
Shipping Weight	kg (lb)	92 (203)
Connector Type (Female)	-	4.3-10
Connector Position	-	Bottom
Connector Quantity	-	12
Windload Frontal (at Rated Wind Speed: 150km/h)	N (lbf)	500 (113)
Windload Lateral (at Rated Wind Speed: 150km/h)	N (lbf)	500 (113)
Survival Wind Speed	km/h (mph)	200 (125)
Radome Material	-	UV-Stabilised PVC
Radome Colour	RAL	9010
Product Compliance Environmental	-	RoHS
Lightning Protection	-	DC Grounded
Cold Temperature Survival	Celsius (Fahrenheit)	-40 (-40)
Hot Temperature Survival	Celsius (Fahrenheit)	70 (158)

Remote Electrical Tilt (RET) Information**Enclosed Remote Electrical Tilt (eRET) Information****Configuration**

1710 - 2690 MHz	One RET Motor Controller per 4 Port Sector x 3 Sectors
Total Quantity	Three RET Motor Controllers, One per sector.

Location and Interface

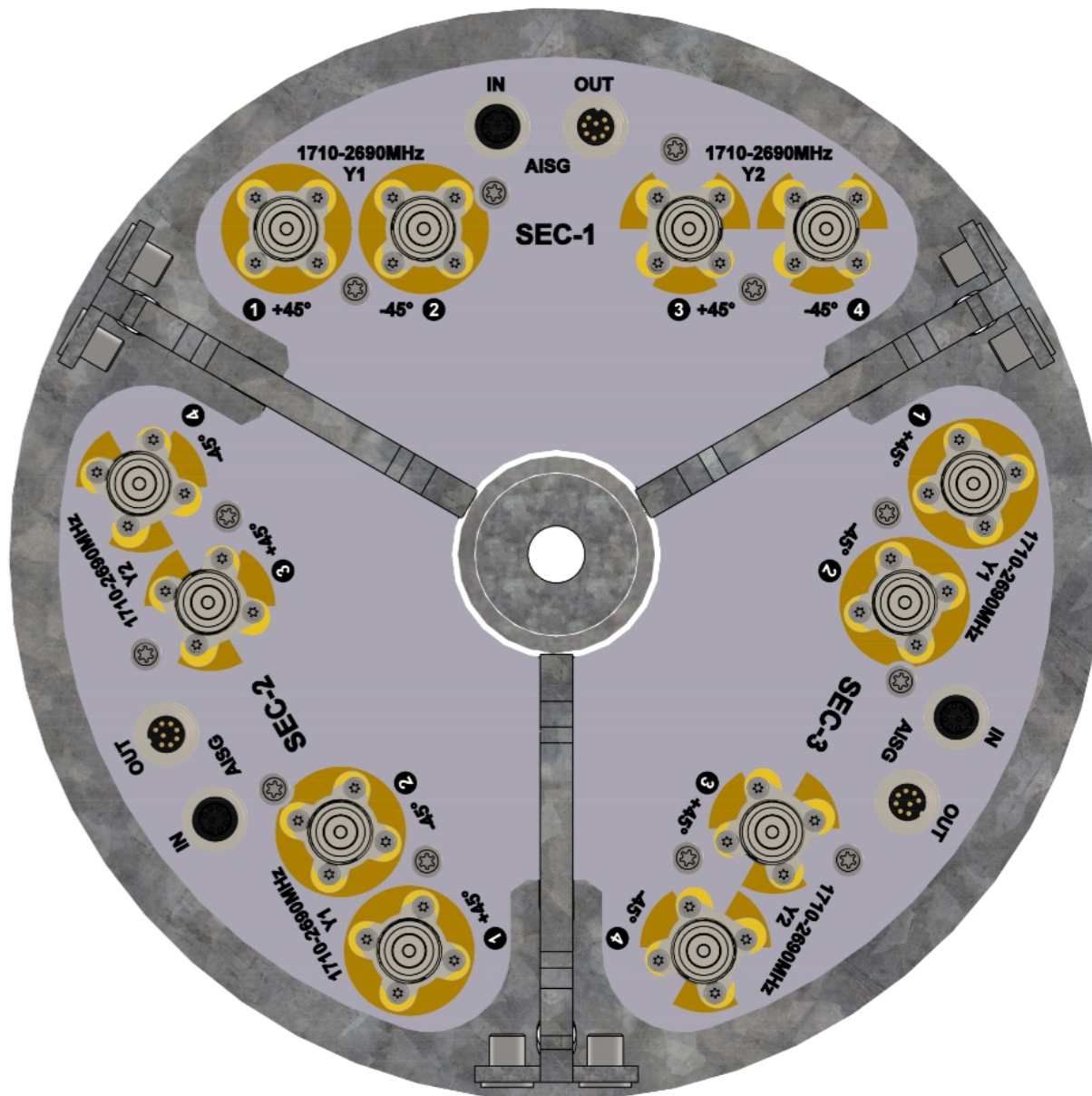
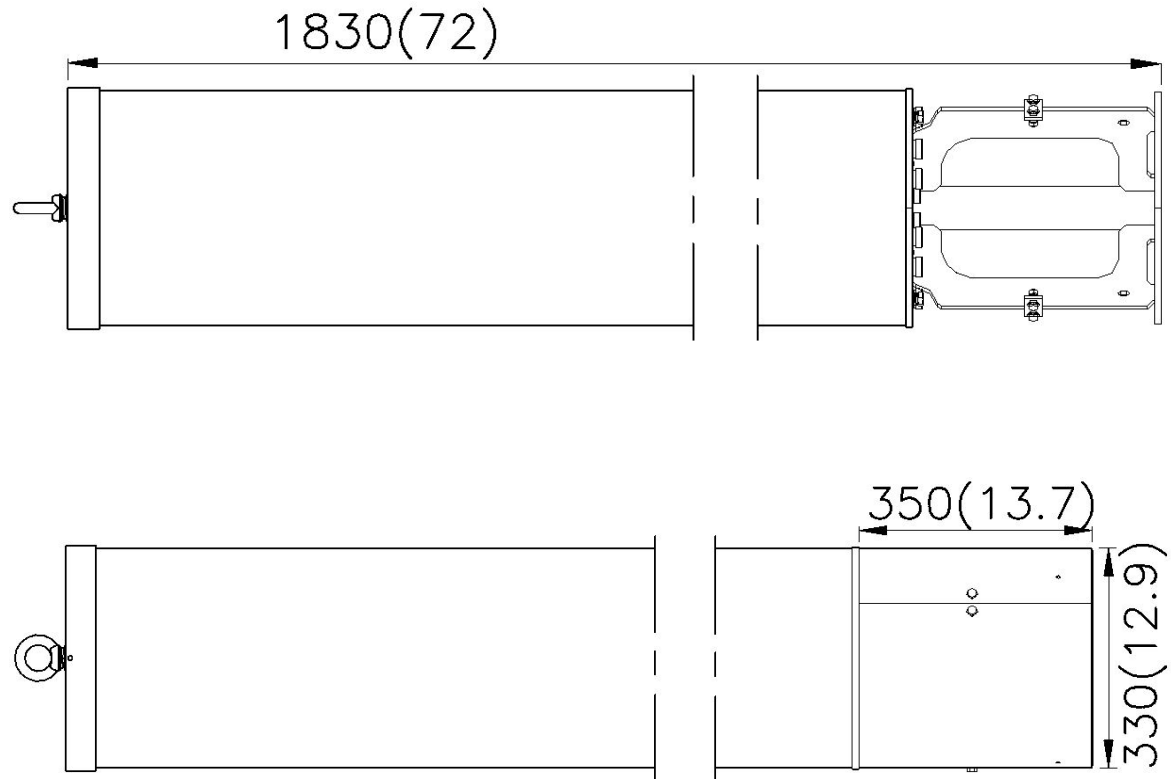
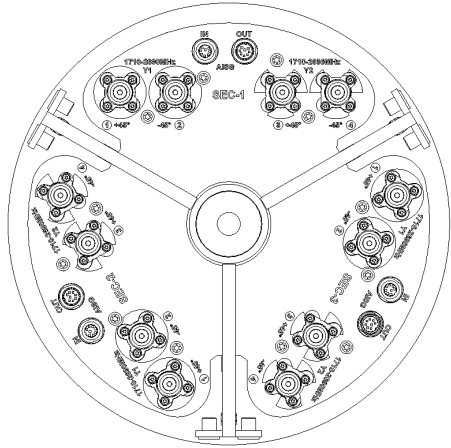
RET Controller Location	Inside antenna Radome housing.
RET Interface	Pair of AISG 8 Pin DIN Connectors, one Male, one Female.
RET Interface Quantity	Three pairs of AISG 8 Pin DIN Connectors, One per sector.
RET Interface Location	On Connector Plate located at bottom of antenna.

Electrical

Input Voltage	10 - 30V
Power Consumption idle	<1W
Power Consumption active	<10W
Protocol	3GPP / AISG 2.0

TECHNICAL SPECIFICATION

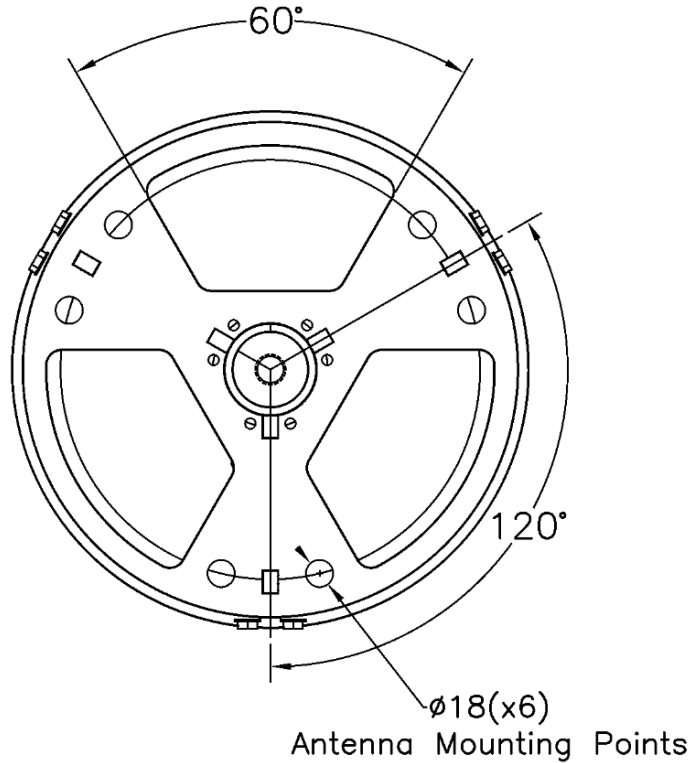
Mechanical Illustration



TECHNICAL SPECIFICATION

Mounting Bracket Kit

330mm Canister Flange Mount



Mounting Kit Tilt Range	Mounting Kit Material	Mounting Kit Pole Diameter
0	Galvanized Steel	N/A

Order Code - Antenna

Order Code - Antenna

AW3359-E-F

Description

Enclosed Remote Electrical Tilt (eRET) with 4.3-10 connectors.

Order Code - Accessories

AW1012-2-FM-FM

Description

RF Jumper Cable, connector types 4.3-10 (m) / 4.3-10 (m), length 2 metres (6'6")

AW1012-2-FM-NM

RF Jumper Cable, connector types 4.3-10 (m) / N-Type (m), length 2 metres (6'6")

AW1014-2-FM-TM

RF Jumper Cable, connector types 4.3-10 (m) / Nex10 (m), length 2 metres (6'6")

PADC 1000

Portable AISG Controller

SADC 2000

Site AISG Controller

AW0326-3-PM-PF

AISG Jumper Cable Lengths 3 metres (9' 10")

AW0326-10-PM-PF

AISG Jumper Cable Lengths 10 metres (32' 9")

AW0326-25-PM-PF

AISG Jumper Cable Lengths 25 metres (82')

AW0326-50-PM-PF

AISG Jumper Cable Lengths 50 metres (164')

Enquiries

Global Headquarters

Ashgrove Business Centre,
Ballybrittas, Portlaoise, Ireland
Post code: R32 DT0A
sales@alphawireless.com
+353 57 86 33847

North America

7301 W. 129th Street, Suite 150
Overland Park,
KS 66213, USA
sales@alphawireless.com
+1 913 279 0008

Australia

3/76 Regentville Rd,
Jamisontown
NSW 2750 AUSTRALIA
sales@alphawireless.com
+ 61 2 4504 8212

DISCLAIMER

The information in this document is provided solely regarding Alpha Wireless products. The information is not a guarantee of performance or characteristics. Alpha Wireless reserves the right to modify, change, amend, improve or make corrections to this document and its products, at any time and its sole discretion without prior written consent or notice. No license to any intellectual property rights is granted or implied under this document. Alpha Wireless disclaims warranties and liabilities of any kind including non-infringement of intellectual property rights of any third party.