



# DATASHEET

## AW3372-T0-F

Common Name- 2 Port, 12", B42, 43 & 48 65° Small Cell

|              |       |       |      |           |
|--------------|-------|-------|------|-----------|
| 3300-3800MHz | 2     | Fixed | 12.5 | 65°       |
| Frequency    | Ports | Tilt  | Gain | Beamwidth |

### PRODUCT INFORMATION

Developed to offer an ultra compact form factor solution that operates between 3300-3800MHz covering LTE Bands B42, 43 & 48 and 5G NR Band n48 and n78. This two port antenna supports MIMO 2x2 applications.

### APPLICATION

Alpha Wireless small cell provides sector coverage whilst in an ultra-compact radome design. The wide-band antenna is designed to be installed in urban environment where low visual impact is required. There are a number of mounting options available making deployments on lamp posts, utility poles, walls and other vertical structures possible. The 2 port antenna provides 2X2 MIMO for improved data throughput with options for various fixed tilt settings.

### STANDARD & CERTIFICATIONS

|               |                     |
|---------------|---------------------|
| Certification | BS EN ISO 9001:2015 |
|---------------|---------------------|



### FEATURES

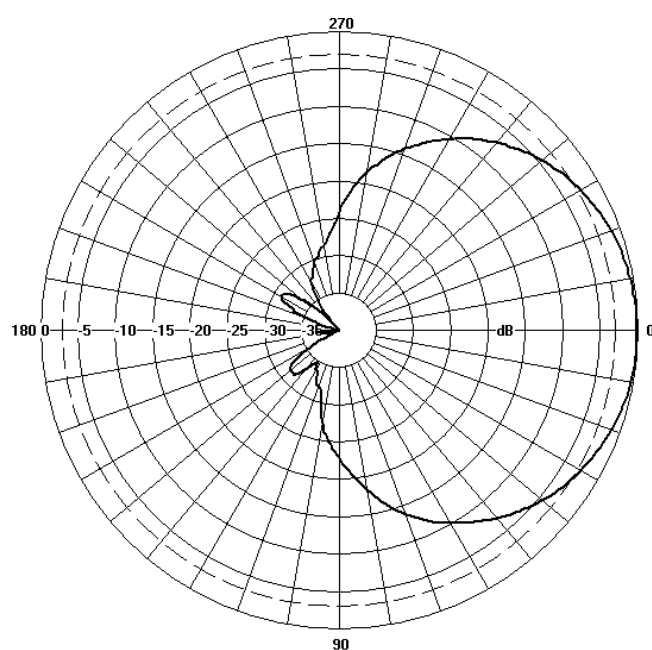
- Wide-band antenna that covers LTE Bands 42, 43 & 48 and 5G NR Band n48 and n78. Includes CBRS Band.
- Supports 2x2 MIMO for improved throughput.
- Compact design for Small Cell deployment - Low visual impact
- Dual Cross polarization antenna +/- 45°
- Manufactured in Ireland

*The parameters in this specification follow the definitions and recommendations per NGMN P-Basta, Release 9.6.*

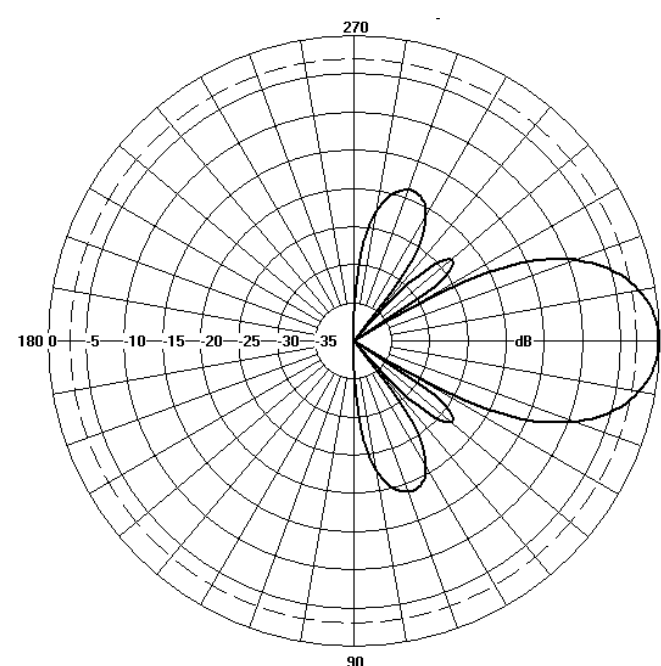
## TECHNICAL SPECIFICATION

| Electrical Specifications               |       |         |                     |
|---|-------|---------|---------------------|
| Frequency Range                         |       | MHz     | 3300 - 3800MHz      |
| Polarisation                            |       | Degree  | +/-45° Slant Linear |
| Gain                                    | Basta | dBi     | 12.0±0.5            |
|   | Max   | dBi     | 12.5                |
| Azimuth Beamwidth                       |       | Degree  | 65°                 |
| Azimuth Beam Squint                     |       | Degree< | 3°                  |
| Elevation Beamwidth                     |       | Degree  | 22°                 |
| Electrical Downtilt                     |       | Degree  | T0°                 |
| Electrical Downtilt Deviation           |       | Degree< | 1°                  |
| Impedance                               |       | Ohms    | 50                  |
| VSWR                                    |       | <       | 1.5                 |
| Return Loss                             |       | dB>     | 14                  |
| Isolation                               |       | dB>     | 25                  |
| Front to Back Ratio: Total Power +/-30° |       | dB>     | 28                  |
| Upper Sidelobe Suppression, Peak to 20° |       | dB>     | 18                  |
| Cross-Polar Discrimination              |       | dB>     | 16                  |
| Maximum Effective Power Per Port        |       | W       | 50                  |

## Representative Pattern Files



Azimuth



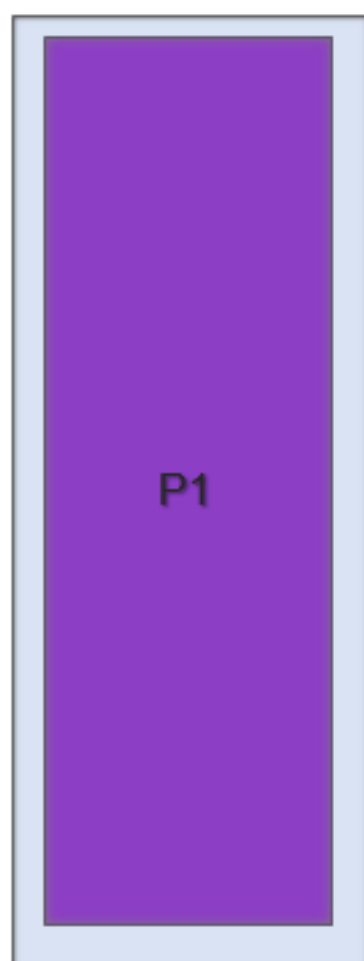
Elevation

For radiation pattern files, please login at [www.alphawireless.com](http://www.alphawireless.com)

## TECHNICAL SPECIFICATION

| Mechanical Specifications                       |            |   |
|---|------------|---|
| Dimensions                                      | mm (in)    | 303 (11.9) x 140 (5.5) x 35 (1.3) - (L x W x H) |
| Packing Size (LxWxD)                            | mm (in)    | 400 (15.7) x 160 (6.2) x 50 (1.9)               |
| Net Weight (antenna)                            | kg (lb)    | 0.9 (2)   |
| Shipping Weight                                 | kg (lb)    | 1.2 (2.6)                                       |
| Connector Type (Female)                         | -          | 4.3-10  |
| Connector Quantity                              | -          | 2   |
| Connector Position                              | -          | Bottom  |
| Windload Frontal (at Rated Wind Speed: 150km/h) | N (lbf)    | 60 (14)   |
| Windload Lateral (at Rated Wind Speed: 150km/h) | N (lbf)    | 20 (5)  |
| Survival Wind Speed                             | km/h (mph) | 200 (125)                                       |
| Radome Material                                 | -          | UV-Stabilised PVC                               |
| Radome Colour                                   | RAL        | 7035 (light grey)                               |
| Product Compliance Environmental                | -          | RoHS  |
| Lightning Protection                            | -          | DC Grounded                                     |
| Cold Temperature Survival                       | °C (°F)    | -40 (-40)                                       |
| Hot Temperature Survival                        | °C (°F)    | 70 (158)  |

## Array Layout and RET Information

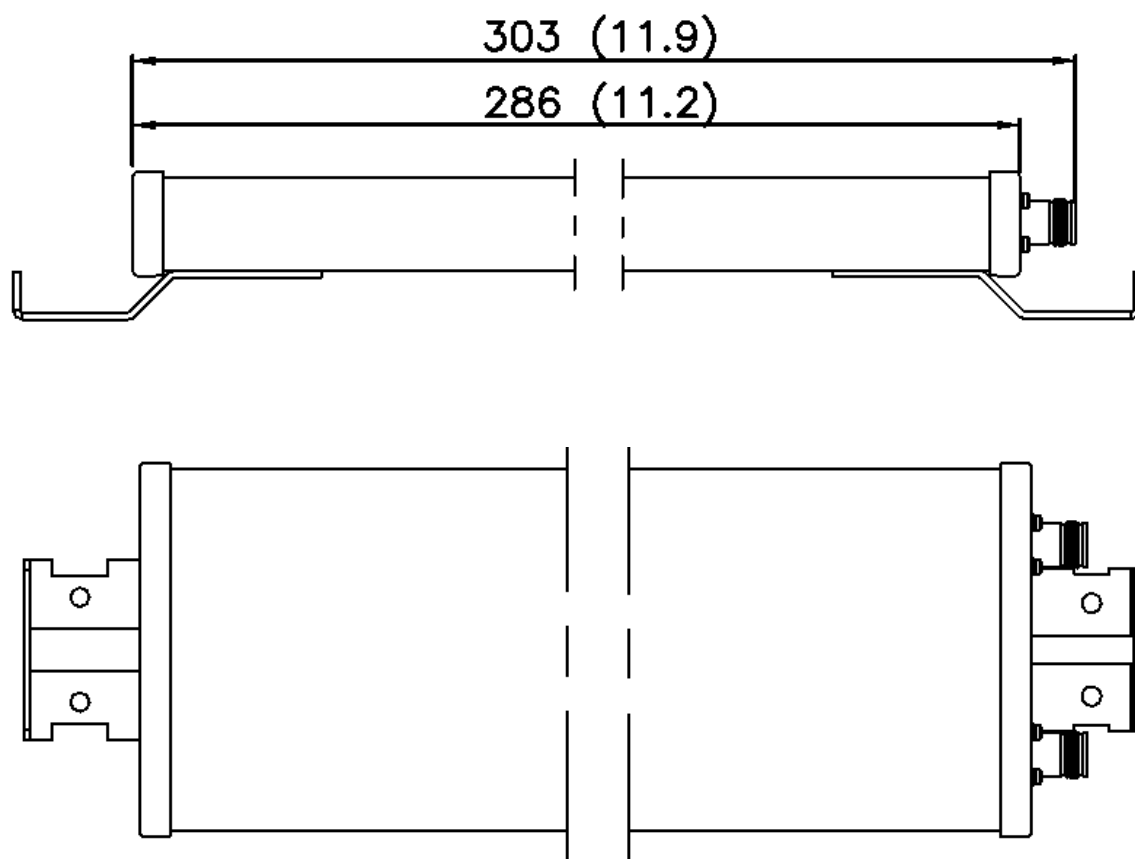
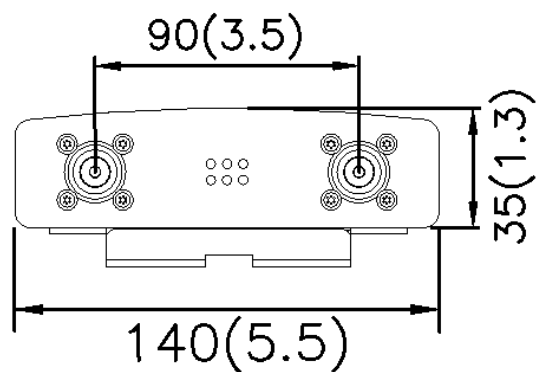


| Array | Frequency MHz | Ports |
|-------|---------------|-------|
| P1    | 3300 – 3800   | 1 – 2 |

*Note: Coloured box sizes do not represent antenna sizes.*

Mechanical Illustration

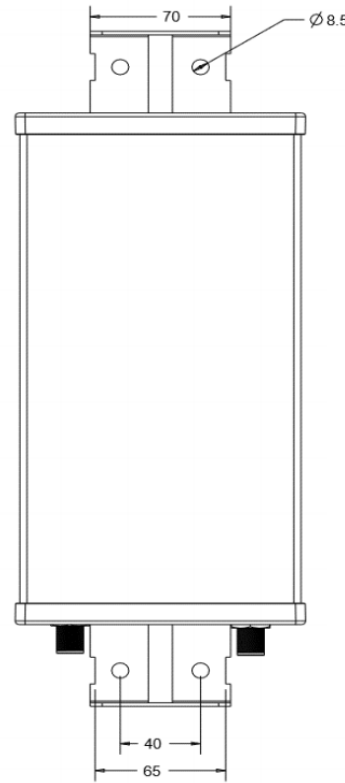
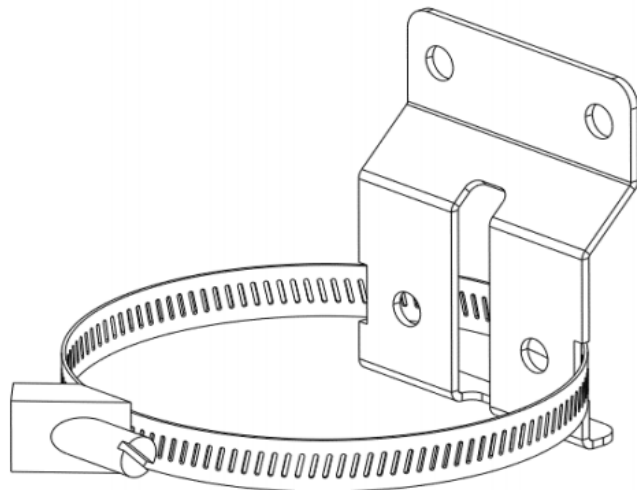
All measurements are in mm (in)





**TECHNICAL SPECIFICATION**  
**Mounting Bracket Kit**

CL-V-139 (51mm-127mm Quick Release Hose Clip & Mount Kit Included with Antenna)



| Mounting Kit Tilt Range | Mounting Kit Material | Mounting Kit Pole Diameter |
|-------------------------|-----------------------|----------------------------|
| N/A                     | Stainless Steel       | 50 - 125mm (2 - 5" inch)   |

**Ordering Info**

**Order Code - Antenna**

AW3372-T0-F

**Description**

Zero Degrees Fixed Tilt with 4.3-10 Connectors

**Order Code - Accessories**

AW1012-2-FM-FM

**Description**

RF Jumper Cable, connector types 4.3-10 (m) / 4.3-10 (m), length 2 metres (6'6")

AW1012-2-FM-NM

RF Jumper Cable, connector types 4.3-10 (m) / N-Type (m), length 2 metres (6'6")

AW1014-2-FM-TM

RF Jumper Cable, connector types 4.3-10 (m) / Nex10 (m), length 2 metres (6'6")

**Enquiries**

**Global Headquarters**  
 Ashgrove Business Centre,  
 Ballybrittas, Portlaoise,  
 R32 DT0A, IRELAND  
[sales@alphawireless.com](mailto:sales@alphawireless.com)  
 +353 57 86 33847

**North America**  
 7301 W. 129th Street, Suite 150,  
 Overland Park,  
 KS 66213, USA  
[sales@alphawireless.com](mailto:sales@alphawireless.com)  
 +1 913 279 0008

**Australia**  
 3/76 Regentville Rd,  
 Jamisontown,  
 NSW 2750, AUSTRALIA  
[sales@alphawireless.com](mailto:sales@alphawireless.com)  
 + 61 2 4504 8212

**DISCLAIMER**

The information in this document is provided solely regarding Alpha Wireless products. The information is not a guarantee of performance or characteristics. Alpha Wireless reserves the right to modify, change, amend, improve or make corrections to this document and its products, at any time and its sole discretion without prior written consent or notice. No license to any intellectual property rights is granted or implied under this document. Alpha Wireless disclaims warranties and liabilities of any kind including non-infringement of intellectual property rights of any third party.