



DATASHEET

AW3373-T0-F

Common Name- 2 Port, 12", B42, 43 & 48 90° Small Cell

3300-3800MHz	2	Fixed	11.0	90°
Frequency	Ports	Tilt	Gain	Beamwidth

PRODUCT INFORMATION

The Alpha Wireless 3300 – 3800 MHz **AW3373** is a two-port small cell panel antenna that delivers 11 dBi gain with a 90° horizontal beamwidth, covering LTE Bands B42, 43 & 48 and 5G NR Band n48 and n78. This compact antenna has a 12" length and is perfect in providing wide angle coverage with a low visual impact. There are a number of mounting options available making deployments on lamp posts, utility poles, walls and other vertical structures possible. The AW3373 is ideal for private LTE applications in the 3.5 GHz Citizens Broadband Radio Service (CBRS) frequency band.

Small Cells are a family of ultra-compact antennas which allows for network coverage and capacity increases almost anywhere. This aesthetically pleasing antenna's small form factor allows for easier architectural approval. A number of mounting options are available and the small cell solutions can be deployed on lamp posts, utility poles, and walls. Small cell antennas support 2x2 MIMO and 4x4 MIMO with fixed and variable electrical tilt of the elevation beam.



APPLICATION

Alpha Wireless small cell provides sector coverage whilst in an ultra-compact radome design. The wide-band antenna is designed to be installed in urban environment where low visual impact is required. There are a number of mounting options available making deployments on lamp posts, utility poles, walls and other vertical structures possible. The 2 port antenna provides 2X2 MIMO for improved data throughput with options for various fixed tilt settings.

FEATURES

- Wide-band antenna that covers LTE Bands 42, 43 & 48 and 5G NR Band n48 and n78. Includes CBRS Band.
- Compact design for Small Cell deployment - Low visual impact
- Dual Cross polarization antenna +/-45°
- Manufactured in Ireland

STANDARD & CERTIFICATIONS

Certification	BS EN ISO 9001:2015
---------------	---------------------

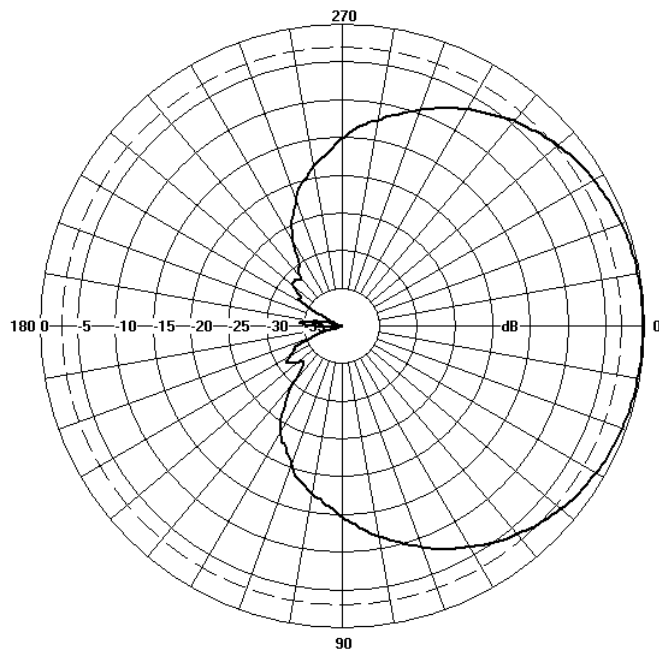


The parameters in this specification follow the definitions and recommendations per NGMN P-Basta, Release 9.6.

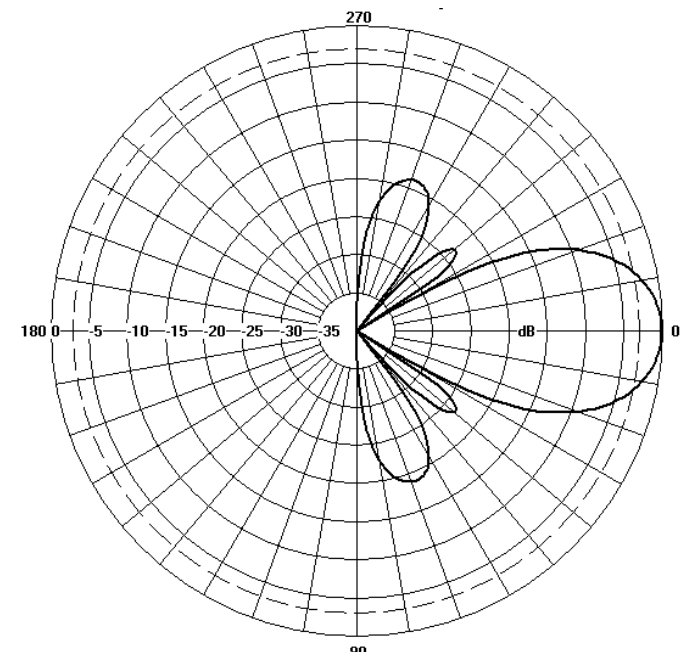
TECHNICAL SPECIFICATION

Electrical Specifications			
Frequency Range		MHz	3300 - 3800MHz
Polarisation		Degree	+/-45° Slant Linear
Gain	Basta	dBi	10.5±0.5
	Max	dBi	11.0
Azimuth Beamwidth		Degree	90°
Azimuth Beam Squint		Degree<	3°
Elevation Beamwidth		Degree	22°
Electrical Downtilt		Degree	T0°
Electrical Downtilt Deviation		Degree<	1°
Impedance		Ohms	50
VSWR		<	1.5
Return Loss		dB>	14
Isolation		dB>	25
Front to Back Ratio: Total Power +/-30°		dB>	25
Upper Sidelobe Suppression, Peak to 20°		dB>	18
Cross-Polar Discrimination		dB>	16
Maximum Effective Power Per Port		W	50

Representative Pattern Files



Azimuth



Elevation

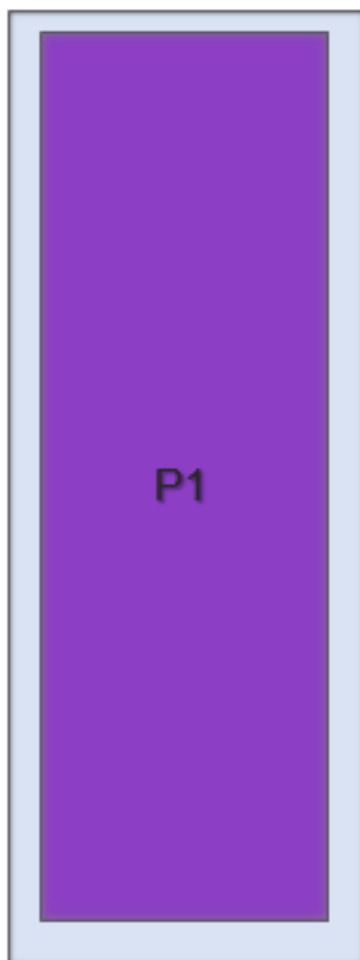
For radiation pattern files, please login at www.alphawireless.com

TECHNICAL SPECIFICATION

Mechanical Specifications

Dimensions	mm (in)	303 (11.9) x 140 (5.5) x 35 (1.3) - (L x W x H)
Packing Size (LxWxD)	mm (in)	430 (16.9) x 160 (6.2) x 90 (3.5)
Net Weight (antenna)	kg (lb)	1 (2.2)
Net Weight (mount)	kg (lb)	0.4 (0.8)
Shipping Weight	kg (lb)	1.3 (2.8)
Connector Type (Female)	-	4.3-10
Connector Quantity	-	2
Connector Position	-	Bottom
Windload Frontal (at Rated Wind Speed: 150km/h)	N (lbf)	60 (14)
Windload Lateral (at Rated Wind Speed: 150km/h)	N (lbf)	20 (5)
Survival Wind Speed	km/h (mph)	200 (125)
Radome Material	-	UV-Stabilised PVC
Radome Colour	RAL	7035 (light grey)
Product Compliance Environmental	-	RoHS
Lightning Protection	-	DC Grounded
Cold Temperature Survival	°C (°F)	-40 (-40)
Hot Temperature Survival	°C (°F)	70 (158)

Array Layout and RET Information



Array	Frequency MHz	Ports
P1	3300 – 3800	1 – 2

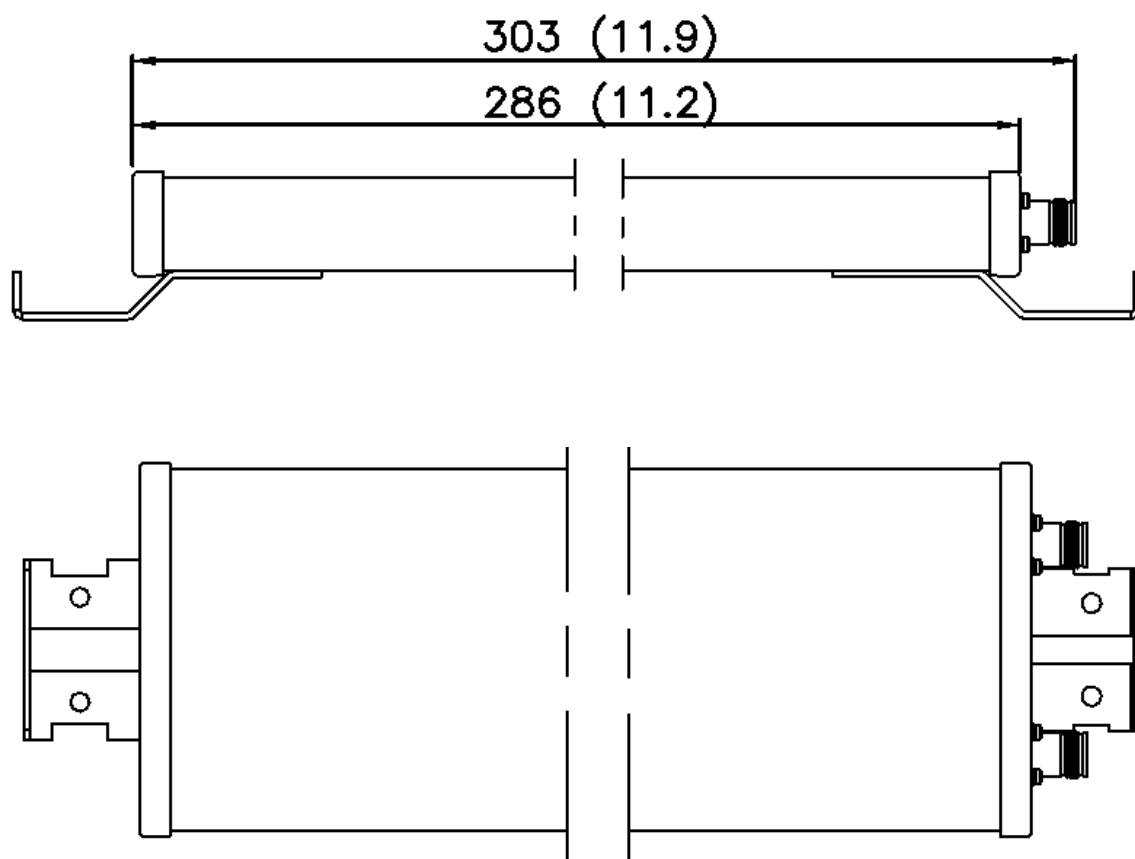
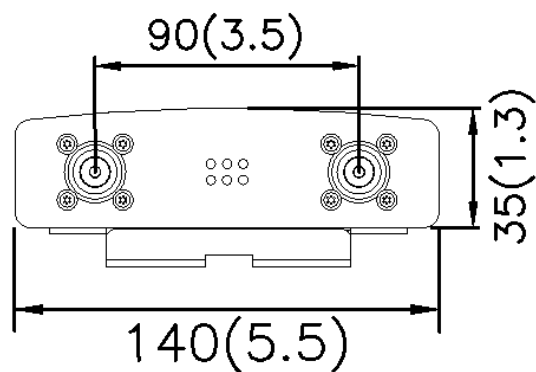
Note: Coloured box sizes do not represent antenna sizes.



AW3373-T0-F

Mechanical Illustration

All measurements are in mm (in)

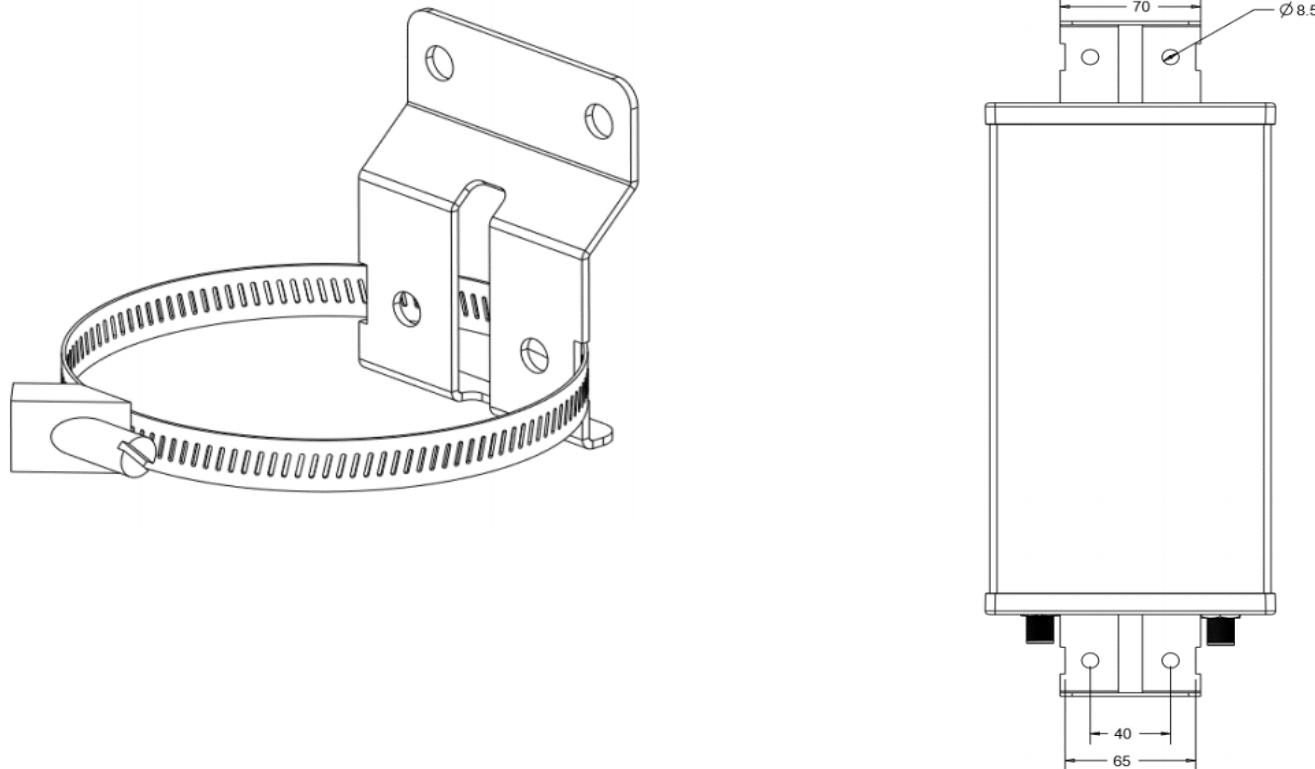




TECHNICAL SPECIFICATION

Mounting Bracket Kit

CL-V-139 (51mm-127mm Quick Release Hose Clip & Mount Kit Included with Antenna)



Mounting Kit Tilt Range	Mounting Kit Material	Mounting Kit Pole Diameter
N/A	Stainless Steel	50 - 125mm (2 - 5" inch)

Ordering Info

Order Code - Antenna

AW3373-T0-F

Description

Zero Degrees Fixed Tilt with 4.3-10 Connectors

Order Code - Accessories

AW1012-2-FM-FM

Description

RF Jumper Cable, connector types 4.3-10 (m) / 4.3-10 (m), length 2 metres (6'6")

AW1012-2-FM-NM

RF Jumper Cable, connector types 4.3-10 (m) / N-Type (m), length 2 metres (6'6")

AW1014-2-FM-TM

RF Jumper Cable, connector types 4.3-10 (m) / Nex10 (m), length 2 metres (6'6")

Enquiries

Global Headquarters

Ashgrove Business Centre,
Ballybrittas, Portlaoise,
R32 DT0A, IRELAND
sales@alphawireless.com
+353 57 86 33847

North America

7301 W. 129th Street, Suite 150,
Overland Park,
KS 66213, USA
sales@alphawireless.com
+1 913 279 0008

Australia

3/76 Regentville Rd,
Jamisontown,
NSW 2750, AUSTRALIA
sales@alphawireless.com
+ 61 2 4504 8212

DISCLAIMER

The information in this document is provided solely regarding Alpha Wireless products. The information is not a guarantee of performance or characteristics. Alpha Wireless reserves the right to modify, change, amend, improve or make corrections to this document and its products, at any time and its sole discretion without prior written consent or notice. No license to any intellectual property rights is granted or implied under this document. Alpha Wireless disclaims warranties and liabilities of any kind including non-infringement of intellectual property rights of any third party.