



DATASHEET

AW3374-T0-F

Common Name- 2 Port, 12", B42, 43 & 48, Omni Small Cell

| | | | | |
|--------------|-------|-------|------|-----------|
| 3400-3800MHz | 2 | Fixed | 7.0 | 360° |
| Frequency | Ports | Tilt | Gain | Beamwidth |

PRODUCT INFORMATION

The Alpha Wireless **AW3374** pseudo omni canister antenna provides 360° horizontal coverage in the 3400 – 3800 MHz frequency band (n48 and n78) whilst in an ultra-compact radome design. This wide-band antenna has two ports with dual $\pm 45^\circ$ slant polarization. The AW3374 has a compact 12" length and 3" diameter yet provides a uniform 7 dBi gain with minimal azimuth pattern ripple. The AW3374 is a cost-effective solution that provides 360° of horizontal coverage for private LTE and 5G networks using the 3.5 GHz Citizens Broadband Radio Service (CBRS) and C-band spectrums.

Small Cells are a family of ultra-compact antennas which allows for network coverage and capacity increases almost anywhere. This aesthetically pleasing antenna's small form factor allows for easier architectural approval. A number of mounting options are available and the small cell solutions can be deployed on lamp posts, utility poles, and walls. Small cell antennas support 2x2 MIMO and 4x4 MIMO with fixed and variable electrical tilt of the elevation beam.



APPLICATION

Alpha Wireless pseudo omni antenna provides 360° coverage whilst in an ultra-compact radome design. The wide-band antenna is designed to be installed in urban environment where low visual impact is required. There are a number of mounting options available making deployments on lamp posts, utility poles, walls and other vertical structures possible. The 2 port antenna provides 2X2 MIMO for improved data throughput with options for various fixed tilt settings.

FEATURES

- Wide-band antenna for 3GPP bands 42, 43 & 48 (bands n48 and n78, respectively).
- Optimized Pseudo omni with reduced azimuth ripple
- Slim monopole design to reduce wind loading
- Manufactured in Ireland

STANDARD & CERTIFICATIONS

| | |
|---------------|---------------------|
| Certification | BS EN ISO 9001:2015 |
|---------------|---------------------|

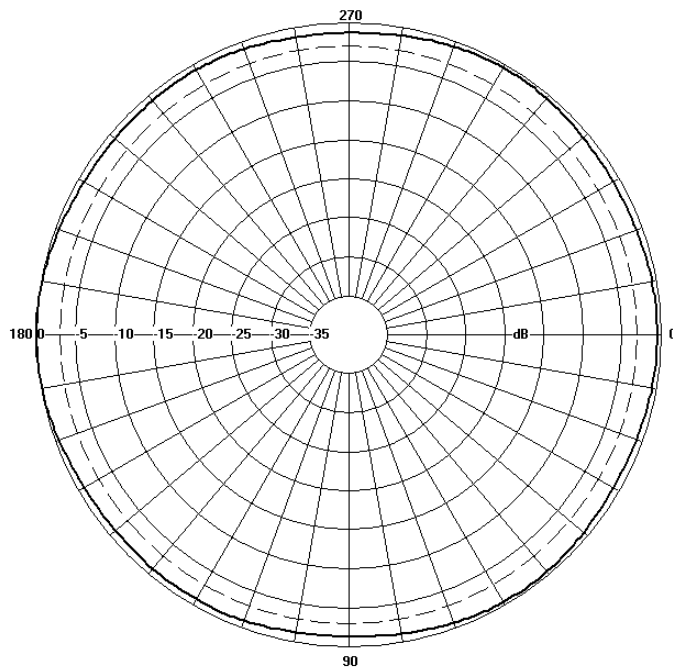


The parameters in this specification follow the definitions and recommendations per NGMN P-Basta, Release 9.6.

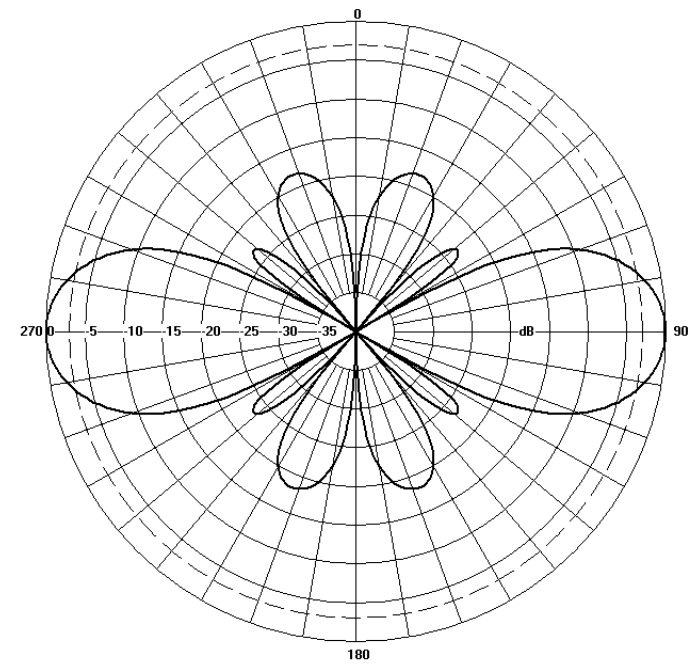
TECHNICAL SPECIFICATION

| Electrical Specifications | | | |
|---|---------|---------------------|---------|
| Frequency Range | MHz | 3400 - 3800MHz | |
| Polarisation | Degree | +/-45° Slant Linear | |
| Gain | Basta | dBi | 6.5±0.5 |
| | Max | dBi | 7.0 |
| Azimuth Beamwidth | Degree | 360° | |
| Elevation Beamwidth | Degree | 22° | |
| Electrical Downtilt | Degree | T0° | |
| Electrical Downtilt Deviation | Degree< | 1° | |
| Impedance | Ohms | 50 | |
| VSWR | < | 1.5 | |
| Return Loss | dB> | 14 | |
| Isolation | dB> | 25 | |
| Upper Sidelobe Suppression, Peak to 20° | dB> | 15 | |
| Cross-Polar Discrimination | dB> | 10 | |
| Maximum Effective Power Per Port | W | 50 | |

Representative Pattern Files



Azimuth



Elevation

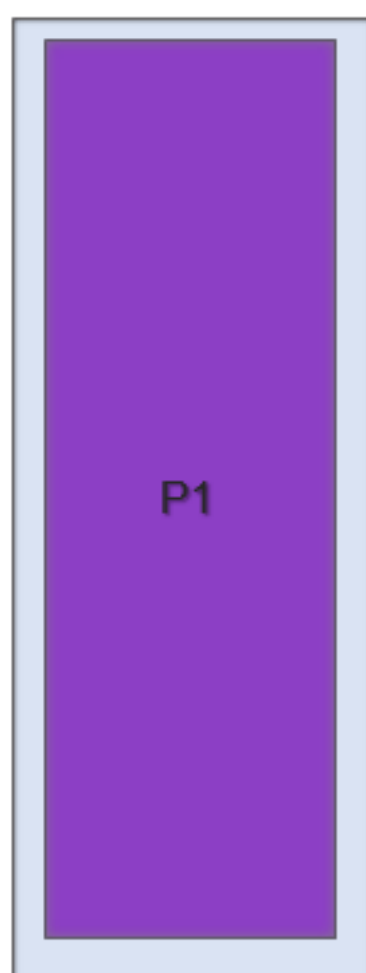
For radiation pattern files, please login at www.alphawireless.com

TECHNICAL SPECIFICATION

Mechanical Specifications

| | | |
|---|------------|------------------------------------|
| Dimensions | mm (in) | 312 (12.3) x 80 (3.1) - (L x Ø) |
| Packing Size (LxWxD) | mm (in) | 400 (15.7) x 150 (5.9) x 150 (5.9) |
| Net Weight (antenna) | kg (lb) | 1 (2.2) |
| Net Weight (mount) | kg (lb) | 0.5 (1.1) |
| Shipping Weight | kg (lb) | 1.5 (3.3) |
| Connector Type (Female) | - | 4.3-10 |
| Connector Quantity | - | 2 |
| Connector Position | - | Bottom |
| Windload Frontal (at Rated Wind Speed: 150km/h) | N (lbf) | 20 (5) |
| Windload Lateral (at Rated Wind Speed: 150km/h) | N (lbf) | 20 (5) |
| Survival Wind Speed | km/h (mph) | 200 (125) |
| Radome Material | - | UV-Stabilised PVC |
| Radome Colour | RAL | 7035 (light grey) |
| Product Compliance Environmental | - | RoHS |
| Lightning Protection | - | DC Grounded |
| Cold Temperature Survival | °C (°F) | -40 (-40) |
| Hot Temperature Survival | °C (°F) | 70 (158) |

Array Layout and RET Information

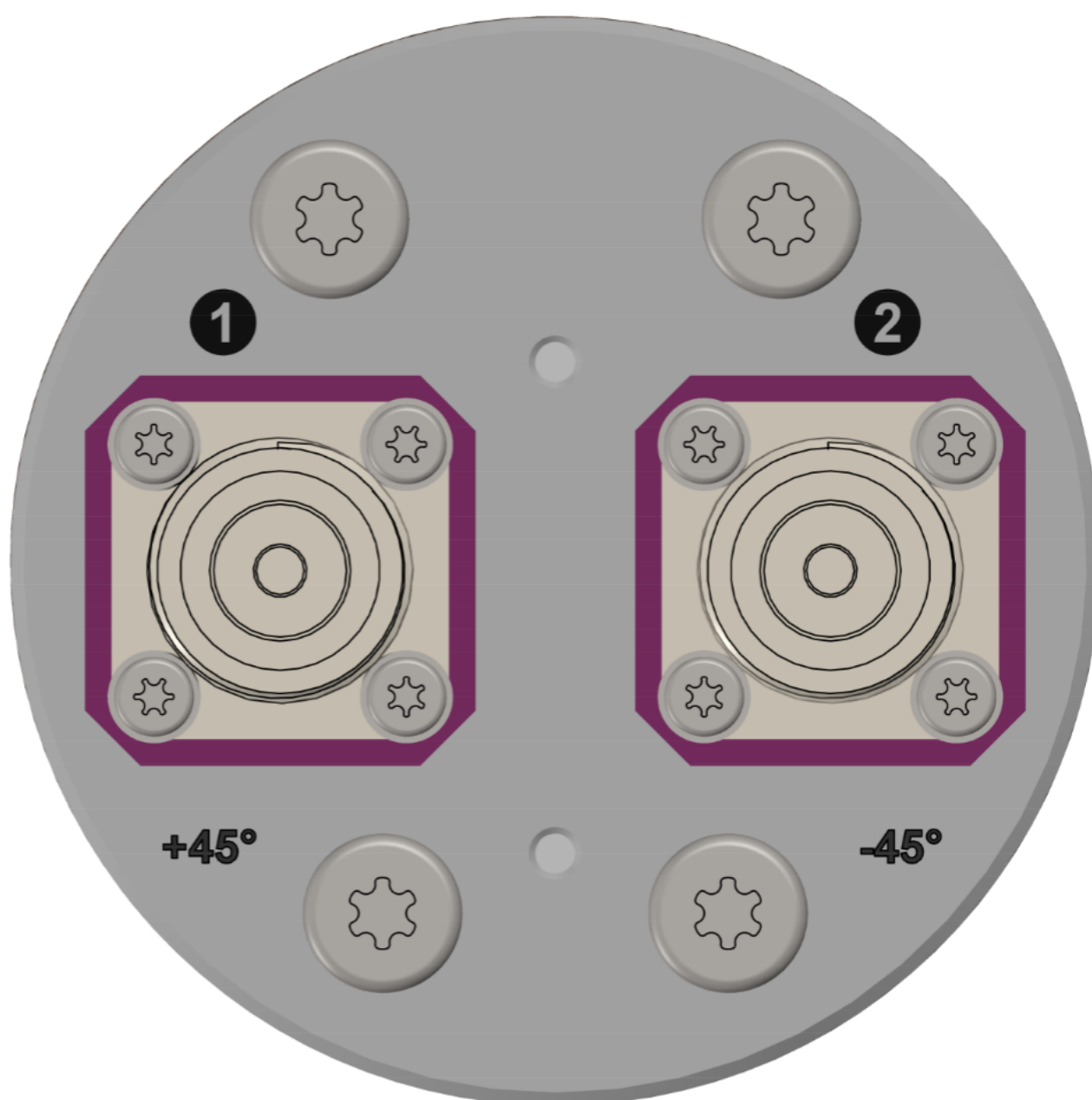
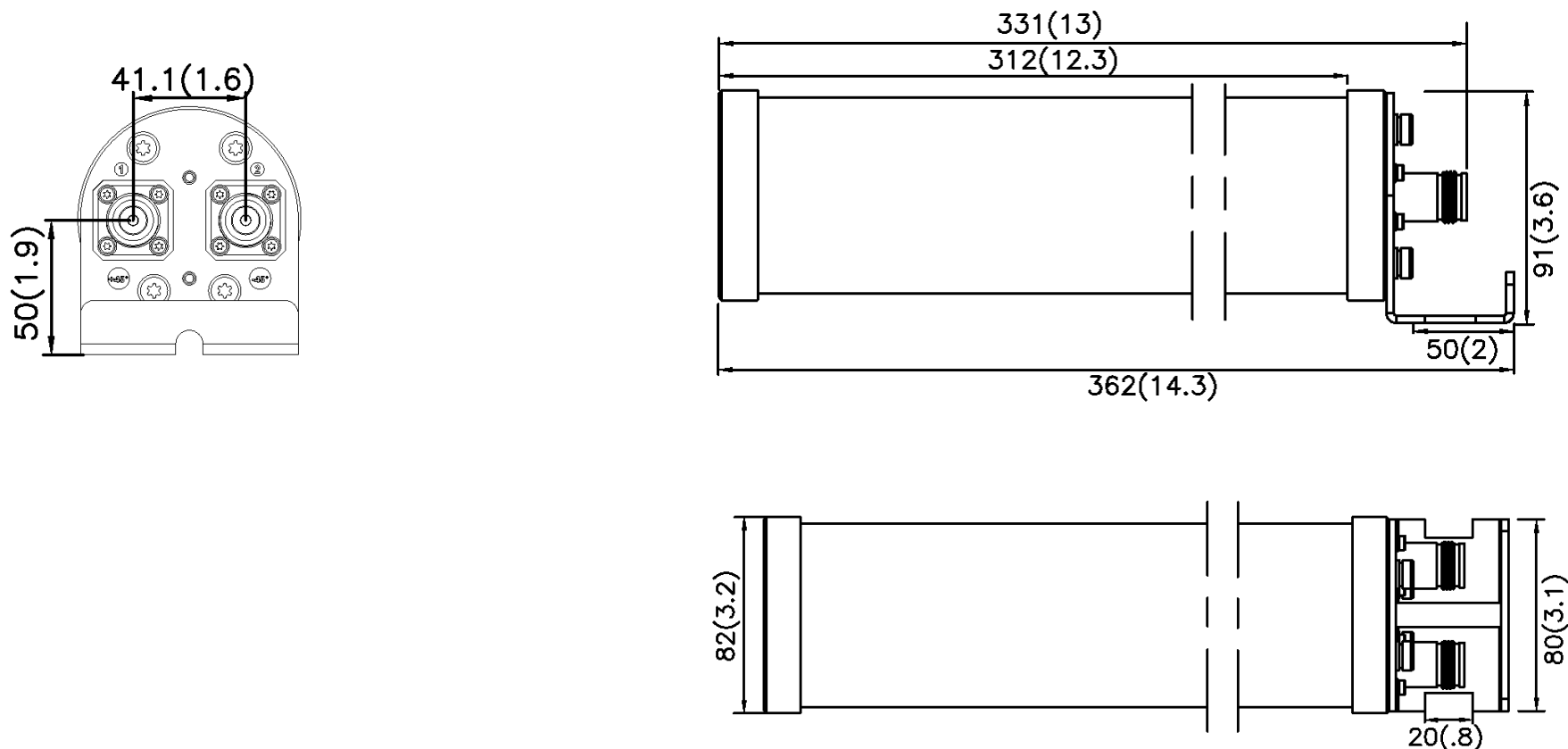


| Array | Frequency MHz | Ports |
|-------|---------------|-------|
| P1 | 3400 - 3800 | 1 - 2 |

Note: Coloured box sizes do not represent antenna sizes.

Mechanical Illustration

All measurements are in mm (in)

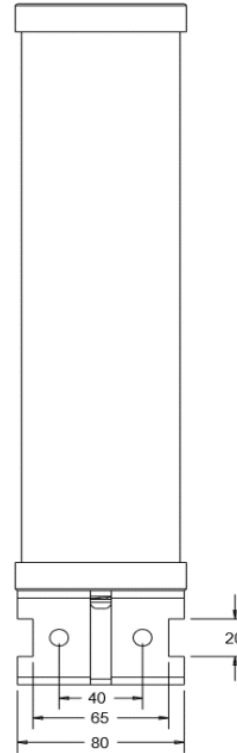
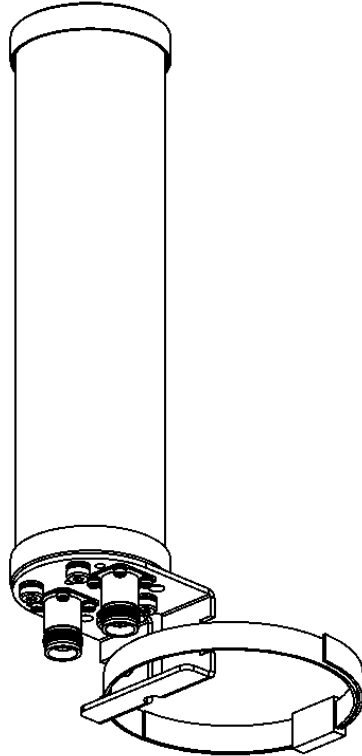




TECHNICAL SPECIFICATION

Mounting Bracket Kit

CL-V-140 (51mm-127mm Quick Release Hose Clip & Mount Kit Included with Antenna)



| Mounting Kit Tilt Range | Mounting Kit Material | Mounting Kit Pole Diameter |
|-------------------------|-----------------------|----------------------------|
| N/A | Stainless Steel | N/A |

Ordering Info

Order Code - Antenna

AW3374-T0-F

Order Code - Accessories

AW1012-2-FM-FM

AW1012-2-FM-NM

AW1014-2-FM-TM

Description

Zero Degrees Fixed Tilt with 4.3-10 Connectors in Grey.

Description

RF Jumper Cable, connector types 4.3-10 (m) / 4.3-10 (m), length 2 metres (6'6")

RF Jumper Cable, connector types 4.3-10 (m) / N-Type (m), length 2 metres (6'6")

RF Jumper Cable, connector types 4.3-10 (m) / Nex10 (m), length 2 metres (6'6")

Enquiries

Global Headquarters

Ashgrove Business Centre,
Ballybrittas, Portlaoise,
R32 DT0A, IRELAND
sales@alphawireless.com
+353 57 86 33847

North America

7301 W. 129th Street, Suite 150,
Overland Park,
KS 66213, USA
sales@alphawireless.com
+1 913 279 0008

Australia

3/76 Regentville Rd,
Jamisontown,
NSW 2750, AUSTRALIA
sales@alphawireless.com
+ 61 2 4504 8212

DISCLAIMER

The information in this document is provided solely regarding Alpha Wireless products. The information is not a guarantee of performance or characteristics. Alpha Wireless reserves the right to modify, change, amend, improve or make corrections to this document and its products, at any time and its sole discretion without prior written consent or notice. No license to any intellectual property rights is granted or implied under this document. Alpha Wireless disclaims warranties and liabilities of any kind including non-infringement of intellectual property rights of any third party.

© Alpha Wireless Limited 2022