



# DATASHEET

## AW3387

Common Name- 2 Port UWB HB - Small Cell - 65°

1710 - 2690Mhz	2	Fixed	12.5	65°
Frequency	Ports	Tilt	Gain	Beamwidth

### PRODUCT INFORMATION

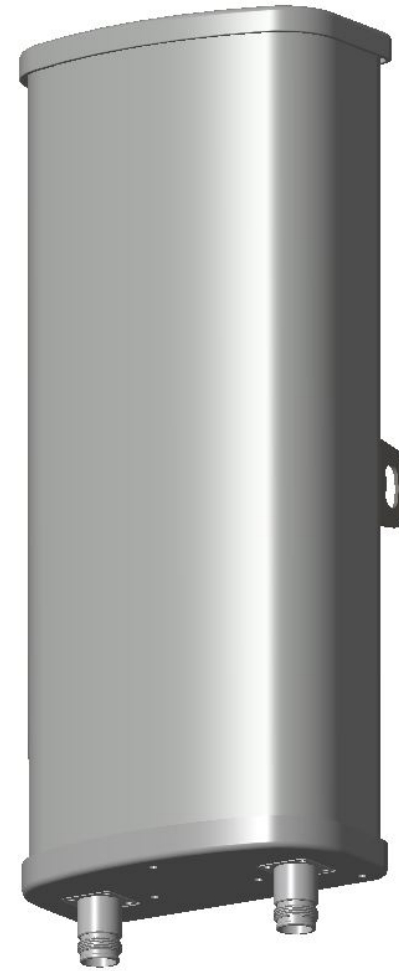
Developed to address densification program for both macro and mini applications.

### APPLICATION

Alpha Wireless small cell provides sector coverage whilst in an ultra-compact radome design. The wide-band antenna is designed to be installed in an urban environment where low visual impact is required. There are a number of mounting options available making deployments on lamp posts, utility poles, walls and other vertical structures possible. The 2 port antenna provides 2x2 MIMO for improved data throughput with options for various fixed tilt settings.

### STANDARD & CERTIFICATIONS

Certification	BS EN ISO 9001:2015
---------------	---------------------



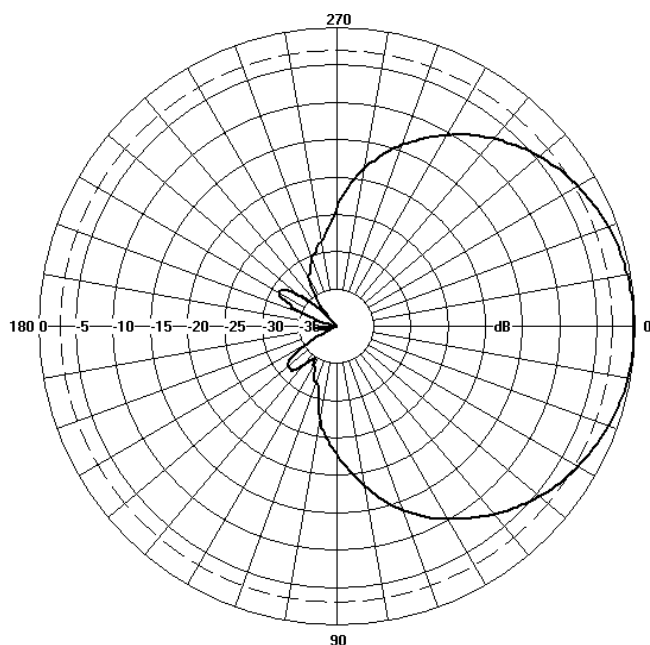
### FEATURES

- Ultra-wide high band antenna 1710 - 2690Mhz.
- Compact design for Small Cell deployment - Low Visual Impact.
- Mounting Bracket with Variable tilt (included).
- Low PIM performance to reduce interference.

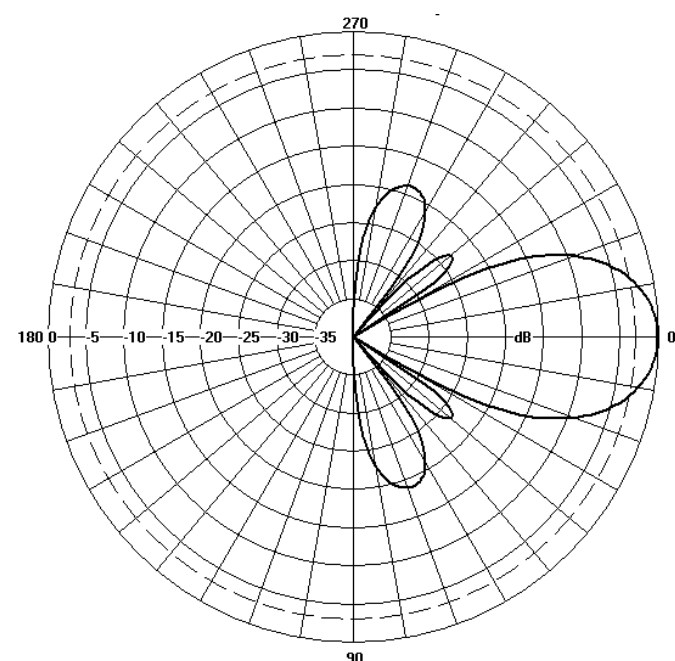
## TECHNICAL SPECIFICATION

Electrical Specifications				
Frequency Range	MHz	1710 - 1880	1920 - 2170	2300 - 2690
Polarisation	Degree	+/- 45° Slant Linear		
Gain				
Overall Tilt	dBi	12.2	12.5	12.7
Azimuth Beamwidth	Degree	68°	65°	60°
Azimuth Beam Squint	Degree<	2°	2°	2.5°
Elevation Beamwidth	Degree	23°	20°	18°
Electrical Downtilt	Degree	T0°, T8°, T14°	T0°, T8°, T14°	T0°, T8°, T14°
Electrical Downtilt Deviation	Degree<	1°	1°	1°
Impedance	Ohms	50	50	50
VSWR	<	1.43	1.43	1.43
Return Loss	dB>	15	15	15
Isolation	dB>	28	28	28
Front to Back Ratio: Total Power +/-30°	dB>	27	27	27
Passive Intermodulation	dBc<	-150	-150	-150
Upper Sidelobe Suppression, Peak to 20°	dB>	17	17	17
Cross-Polar Discrimination	dB>	16	16	16
Maximum Effective Power Per Port	W	200	200	200

## Radiation Pattern Files



Azimuth



Elevation

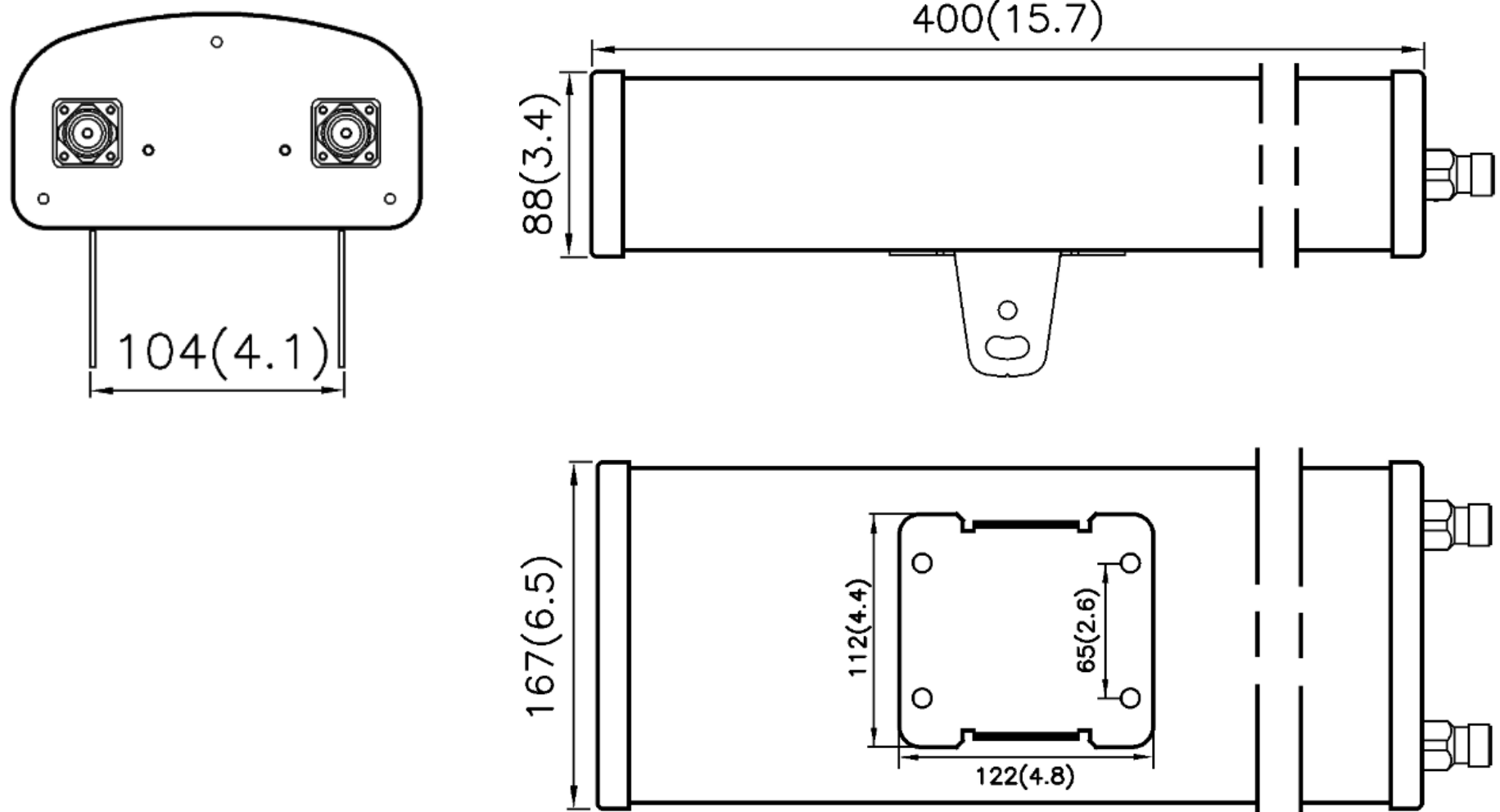
For radiation pattern files, please login at [www.alphawireless.com](http://www.alphawireless.com)

## TECHNICAL SPECIFICATION

Mechanical Specifications		
Dimensions (LxØ)	mm (in)	400 (15.7) x 167 (6.5) x 88 (3.4)
Packing Size (LxWxD)	mm (in)	460 (18) x 190 (7.5) x 170 (6.7)
Net Weight (antenna)	kg (lb)	2 (4.4)
Net Weight (mount)	kg (lb)	0.5 (1.1)
Shipping Weight	kg (lb)	2.5 (5.5)
Connector Type (Female)	-	7/16 DIN or 4.3-10
Connector Quantity	-	2
Connector Position	-	Bottom
Windload Frontal (at Rated Wind Speed: 150km/h)	N (lbf)	70 (16)
Windload Lateral (at Rated Wind Speed: 150km/h)	N (lbf)	40 (9)
Survival Wind Speed	km/h (mph)	200 (125)
Radome Material	-	UV-Stabilised PVC
Radome Colour	RAL	7035
Product Compliance Environmental	-	RoHS
Lightening Protection	-	DC Grounded
Cold Temperature Survival	°C (°F)	-40 (-40)
Hot Temperature Survival	°C (°F)	70 (158)

## Mechanical Illustration

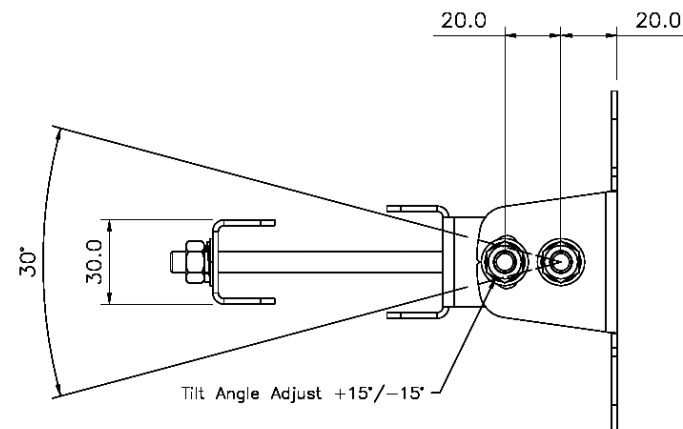
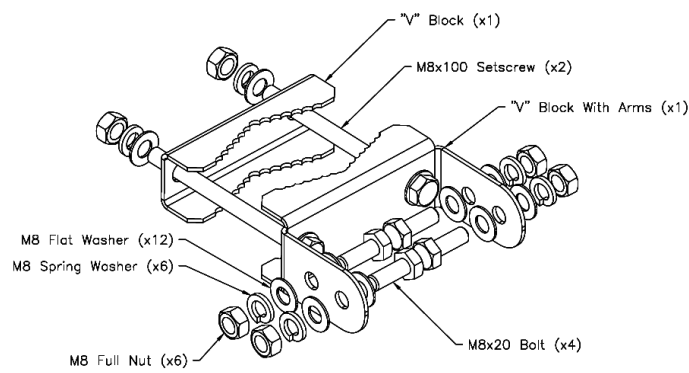
All measurements are in mm (in)



## TECHNICAL SPECIFICATION

### Mounting Bracket Kit

#### CL-V-103 - Single Bracket Mounting Kit (Mount Kit included with antenna)



Mounting Kit Tilt Range	Mounting Kit Material	Mounting Kit Pole Diameter
+15° to -15°	Stainless Steel	25mm-60mm (1" to 2.4")

## ORDERING INFO

AW3387-T0-F	Zero Degrees Fixed Tilt with 4.3-10 Connectors.
AW3387-T8-F	Eight Degrees Fixed Tilt with 4.3-10 Connectors.
AW3387-T14-F	Fourteen Degrees Fixed Tilt with 4.3-10 Connectors.
AW3387-T0-D	Zero Degrees Fixed Tilt with 7/16 DIN Connectors.
AW3387-T8-D	Eight Degrees Fixed tilt with 7/16 DIN Connectors.
AW3387-T14-D	Fourteen Degrees Fixed Tilt with 7/16 DIN Connectors.

## Enquiries

### Ireland

Ashgrove Business Centre,  
Ballybrittas, Portlaoise, Ireland  
Post code: R32 DT0A  
[sales@alphawireless.com](mailto:sales@alphawireless.com)  
+353 57 86 33847

### USA

11322 W 79th St, Lenexa, KS  
66214, USA  
[sales@alphawireless.com](mailto:sales@alphawireless.com)  
+1 913 279 0008

Alpha Wireless



## DISCLAIMER

The information in this document is provided solely regarding Alpha Wireless products. The information is not a guarantee of performance or characteristics. Alpha Wireless reserves the right to modify, change, amend, improve or make corrections to this document and its products, at any time and its sole discretion without prior written consent or notice. No license to any intellectual property rights is granted or implied under this document. Alpha Wireless disclaims warranties and liabilities of any kind including non-infringement of intellectual property rights of any third party.

© Alpha Wireless Limited 2014