



DATASHEET

AW3460-M-F

Common Name- 6 Port, 30" AltaFlex, B42, 43 & 48 - Tri-Sector

3300-3800MHz	6	MET	17.0	65°
Frequency	Ports	Tilt	Gain	Beamwidth

PRODUCT INFORMATION

This product was developed to provide three sector coverage within a single small form factor housing and operates between 3300-3800MHz covering LTE Bands B42, 43 & 48 and 5G NR Band n78. Mounted on pole tops this is been used to deliver fixed wireless coverage.

APPLICATION

Canisters provide multiple antennas into one attractive package with low visual impact which enables quick site approval. These canisters deliver an elegant macro solutions for pole-top, rooftop and streetworks applications. Alpha Wireless produces the highest performance, smallest diameter canister in the marketplace. The AW3460 AltaFlex canister houses a 3300-3800MHz band array for 2x2 MIMO on each sector.

STANDARD & CERTIFICATIONS

Certification	BS EN ISO 9001:2015
---------------	---------------------



FEATURES

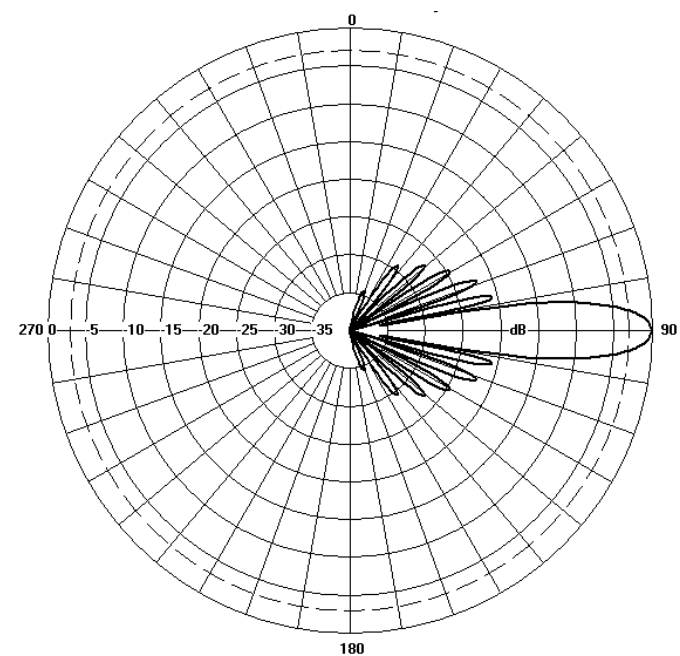
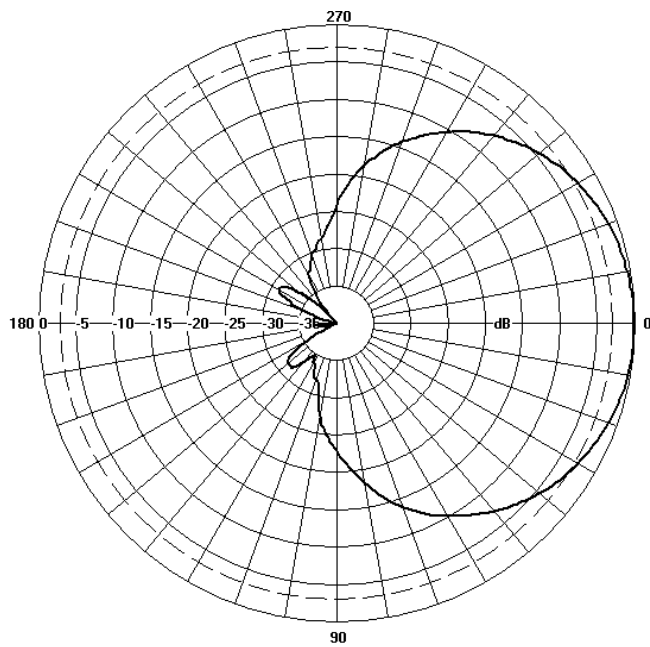
- Wide-band antenna that covers LTE Bands 42, 43 & 48 and 5G NR Band n78. Includes CBRS Band.
- Dual Cross polarization antenna +/- 45°
- Enhanced tilt range of 0 to 10 degrees
- Manufactured in Ireland

The parameters in this specification follow the definitions and recommendations per NGMN P-Basta, Release 9.6.

TECHNICAL SPECIFICATION

Electrical Specifications			
Frequency Range		MHz	3300 - 3800MHz
Polarisation		Degree	+/- 45° Slant Linear
Gain	Basta	dBi	16.8±0.5
	Max	dBi	17.3
Azimuth Beamwidth		Degree	65°
Azimuth Beam Squint		Degree<	3°
Elevation Beamwidth		Degree	7°
Electrical Downtilt		Degree	T0° - T10°
Electrical Downtilt Deviation		Degree<	1°
Impedance		Ohms	50
VSWR		<	1.5
Return Loss		dB>	14
Isolation		dB>	25
Upper Sidelobe Suppression, Peak to 20°		dB>	15
Maximum Effective Power Per Port		W	150

Representative Pattern Files



Azimuth

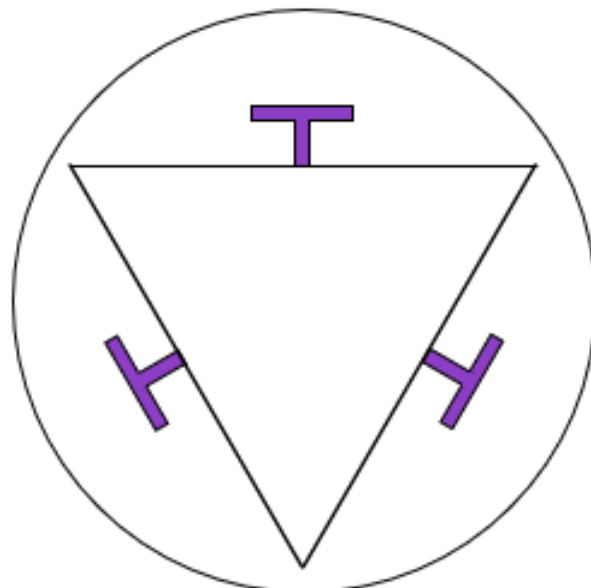
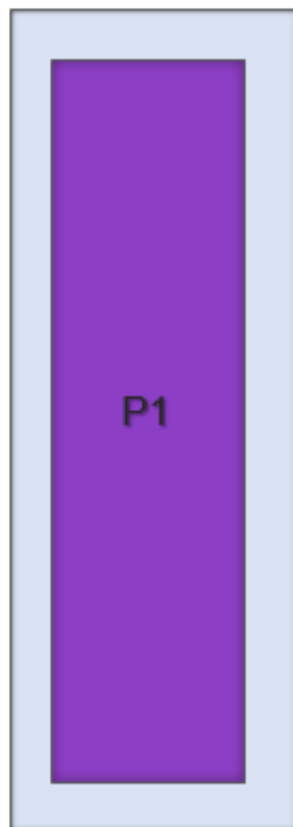
Elevation

For radiation pattern files, please login at www.alphawireless.com

TECHNICAL SPECIFICATION

Mechanical Specifications		
Dimensions	mm (in)	750 (29.5) x 220 (8.7) - (L x Ø)
Packing Size (LxWxD)	mm (in)	1080 (42.5) x 310 (12.2) x 310 (12.2)
Net Weight (antenna)	kg (lb)	9 (19)
Net Weight (mount)	kg (lb)	1 (2.2)
Shipping Weight	kg (lb)	10 (22)
Connector Type (Female)	-	4.3-10
Connector Quantity	-	6
Connector Position	-	Bottom
Windload Frontal (at Rated Wind Speed: 150km/h)	N (lbf)	130 (30)
Windload Lateral (at Rated Wind Speed: 150km/h)	N (lbf)	130 (30)
Survival Wind Speed	km/h (mph)	200 (125)
Radome Material	-	UV-Stabilised ABS capped ASA
Radome Colour	RAL	Light Gray
Product Compliance Environmental	-	RoHS
Lightning Protection	-	DC Grounded
Cold Temperature Survival	°C (°F)	-40 (-40)
Hot Temperature Survival	°C (°F)	70 (158)

Array Layout and RET Information

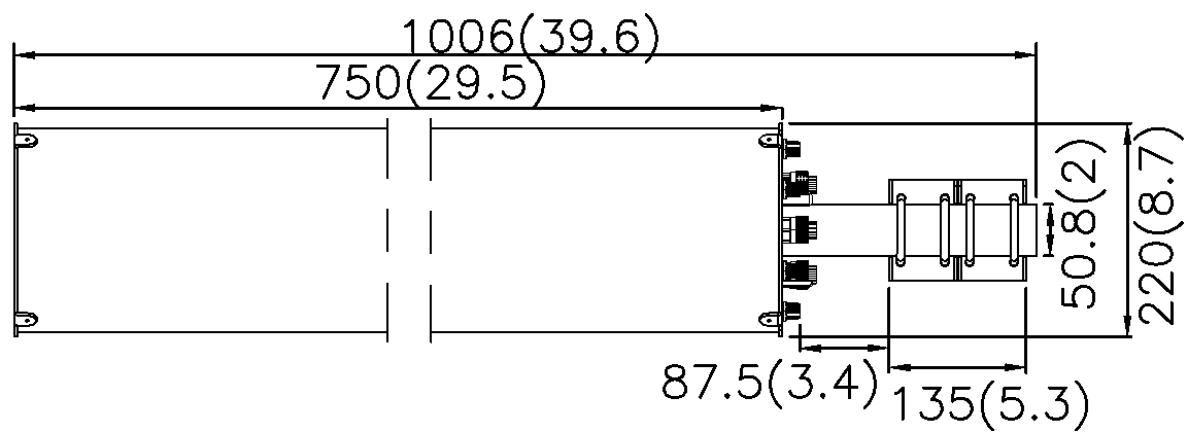
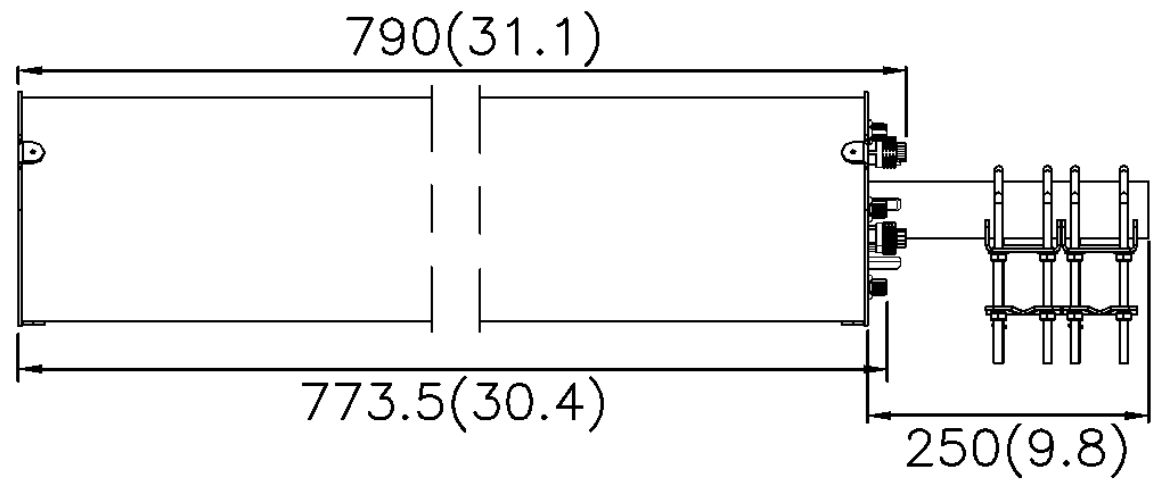
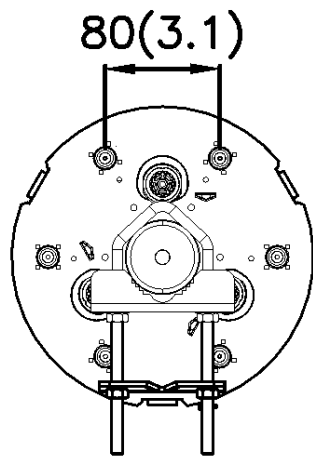


Array layout depicts one individual sector.
Note: Coloured box sizes do not represent antenna sizes.

Array	Frequency MHz	Ports	MET ID
P1	3300-3800	1 - 2	1

Mechanical Illustration

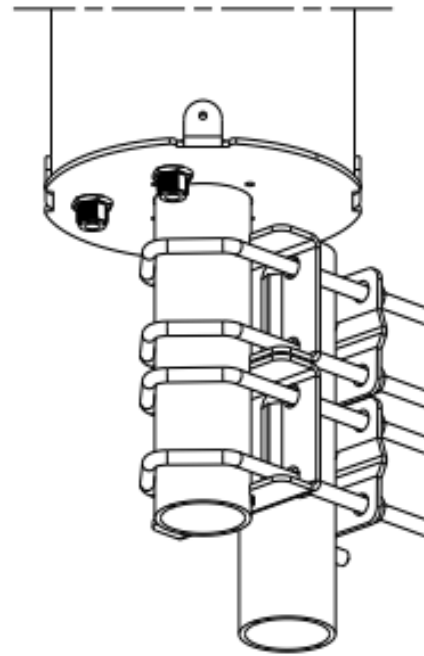
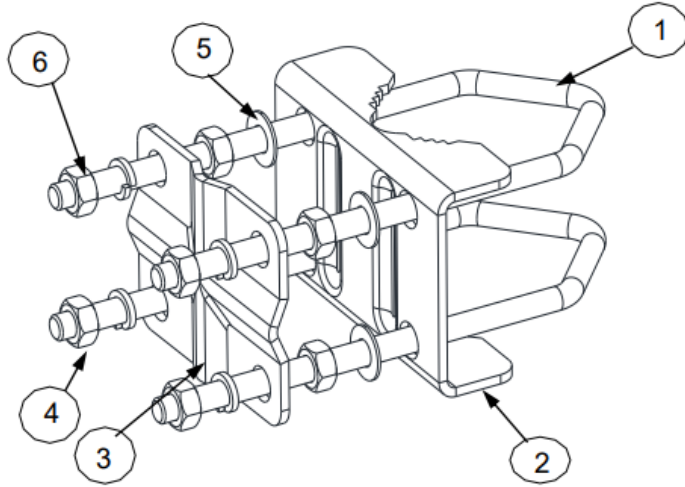
All measurements are in mm (in)



TECHNICAL SPECIFICATION

Mounting Bracket Kit

CL-V-112 - Mount Kit for Omni's Galvanised Steel 30-50mm (Mount Kit included with antenna)



Mounting Kit Tilt Range	Mounting Kit Material	Mounting Kit Pole Diameter
N/A	Galvanised Steel	30mm-50mm (1.2" to 2")

Ordering Info

Order Code - Antenna

AW3460-M-F

Description

Manual Electrical Tilt (MET) with 4.3-10 Connectors

Order Code - Accessories

AW1012-2-FM-FM

Description

RF Jumper Cable, connector types 4.3-10 (m) / 4.3-10 (m), length 2 metres (6'6")

AW1012-2-FM-NM

RF Jumper Cable, connector types 4.3-10 (m) / N-Type (m), length 2 metres (6'6")

AW1014-2-FM-TM

RF Jumper Cable, connector types 4.3-10 (m) / Nex10 (m), length 2 metres (6'6")

Enquiries

Global Headquarters

Ashgrove Business Centre,
Ballybrittas, Portlaoise,
R32 DTOA, IRELAND
sales@alphawireless.com
+353 57 86 33847

North America

7301 W. 129th Street, Suite 150,
Overland Park,
KS 66213, USA
sales@alphawireless.com
+1 913 279 0008

Australia

3/76 Regentville Rd,
Jamisontown,
NSW 2750 AUSTRALIA
sales@alphawireless.com
+ 61 2 4504 8212

DISCLAIMER

The information in this document is provided solely regarding Alpha Wireless products. The information is not a guarantee of performance or characteristics. Alpha Wireless reserves the right to modify, change, amend, improve or make corrections to this document and its products, at any time and its sole discretion without prior written consent or notice. No license to any intellectual property rights is granted or implied under this document. Alpha Wireless disclaims warranties and liabilities of any kind including non-infringement of intellectual property rights of any third party.

© Alpha Wireless Limited 2022