



# DATASHEET

## AW3463-T0-F

Common Name- 2 Port, 36", UWB LB - Small Cell - 65°, Fixed

698-960MHz	2	Fixed	12.0	65°
Frequency	Ports	Tilt	Gain	Beamwidth

### PRODUCT INFORMATION

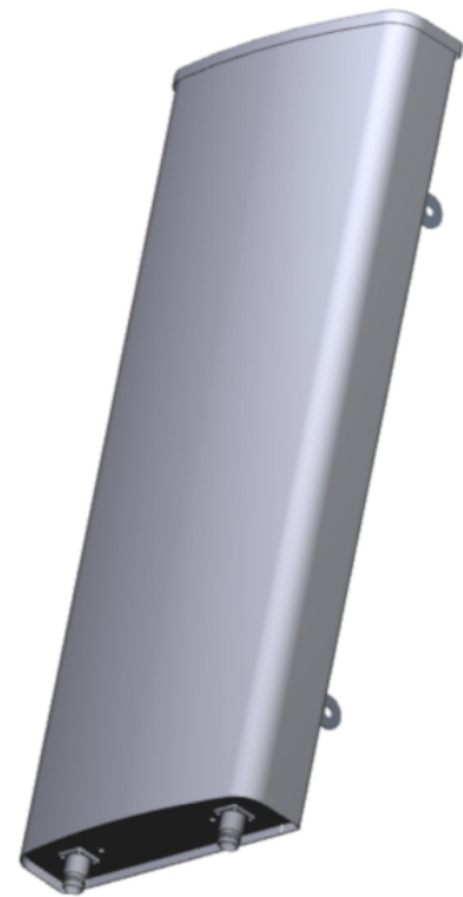
This is a two port 65 degree sector antenna. The mounting bracket allows variable mechanical tilt. The compact size is intended to minimize planning requirements.

### APPLICATION

Alpha Wireless small cell provides sector coverage whilst in an ultra-compact radome design. The wide-band antenna is designed to be installed in urban environment where low visual impact is required.

### STANDARD & CERTIFICATIONS

Certification	BS EN ISO 9001:2015
---------------	---------------------



### FEATURES

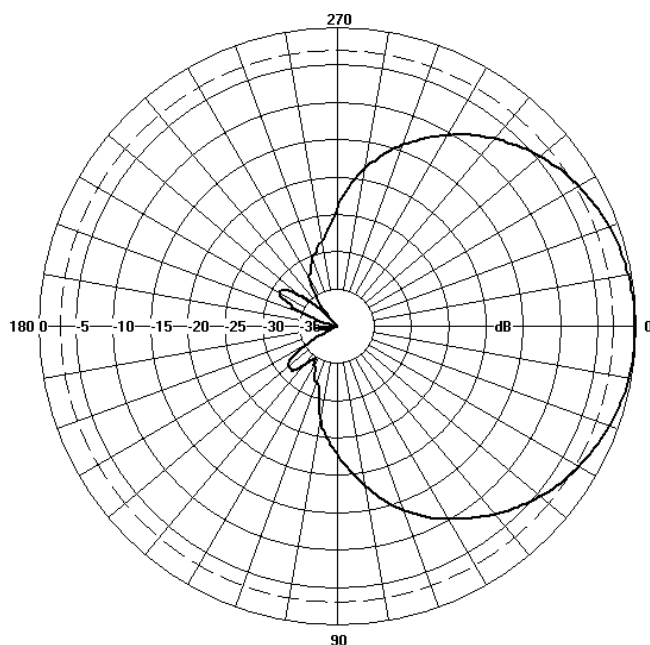
- Ultra-wide low band antenna 698-960MHz
- Compact design for Small Cell deployment - Low visual impact
- Mounting bracket with variable tilt.

*The parameters in this specification follow the definitions and recommendations per NGMN P-Basta, Release 9.6.*

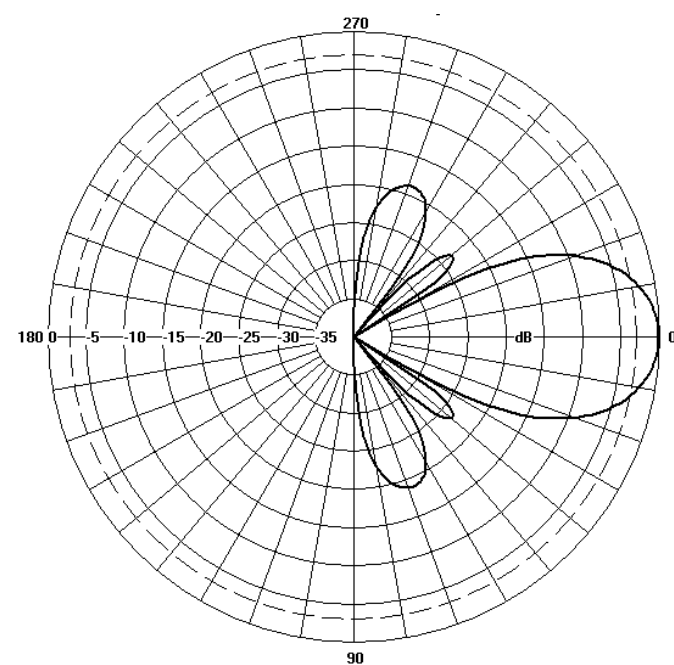
## TECHNICAL SPECIFICATION

Electrical Specifications			
Frequency Range	MHz	698 - 960MHz	
Polarisation	Degree	+/-45° Slant Linear	
Gain	Basta	dBi	11.5±0.5
	Max	dBi	12.0
Azimuth Beamwidth	Degree	65°	
Azimuth Beam Squint	Degree<	3°	
Elevation Beamwidth	Degree	22°	
Electrical Downtilt	Degree	T0°	
Electrical Downtilt Deviation	Degree<	1°	
Impedance	Ohms	50	
VSWR	<	1.43	
Return Loss	dB>	15	
Isolation	dB>	25	
Front to Back Ratio: Total Power +/-30°	dB>	25	
Passive Intermodulation	dBc<	-150	
Upper Sidelobe Suppression, Peak to 20°	dB>	16	
Cross-Polar Discrimination	dB>	16	
Maximum Effective Power Per Port	W	200	

## Representative Pattern Files



Azimuth



Elevation

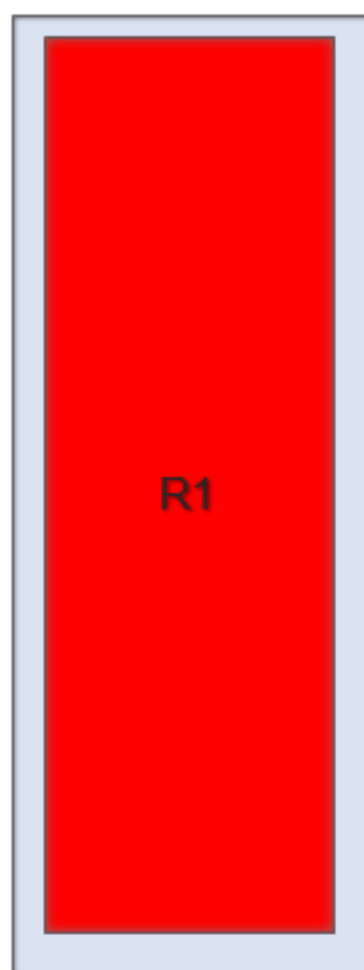
For radiation pattern files, please login at [www.alphawireless.com](http://www.alphawireless.com)

## TECHNICAL SPECIFICATION

## Mechanical Specifications

Dimensions	mm (in)	920 (36.2) x 280 (11) x 123 (4.8) - (LxWxH)
Packing Size (LxWxD)	mm (in)	1050 (41.3) x 340 (13.3) x 217 (8.5)
Net Weight (antenna)	kg (lb)	8 (17.6)
Net Weight (mount)	kg (lb)	2.5 (5.5)
Shipping Weight	kg (lb)	10.5 (23)
Connector Type (Female)	-	4.3-10
Connector Quantity	-	2
Connector Position	-	Bottom
Windload Frontal (at Rated Wind Speed: 150km/h)	N (lbf)	270 (61)
Windload Lateral (at Rated Wind Speed: 150km/h)	N (lbf)	140 (32)
Survival Wind Speed	km/h (mph)	200 (125)
Radome Material	-	UV-Stabilised PVC
Radome Colour	RAL	7035 (light grey)
Product Compliance Environmental	-	RoHS
Lightning Protection	-	DC Grounded
Cold Temperature Survival	°C (°F)	-40 (-40)
Hot Temperature Survival	°C (°F)	70 (158)

## Array Layout and RET Information

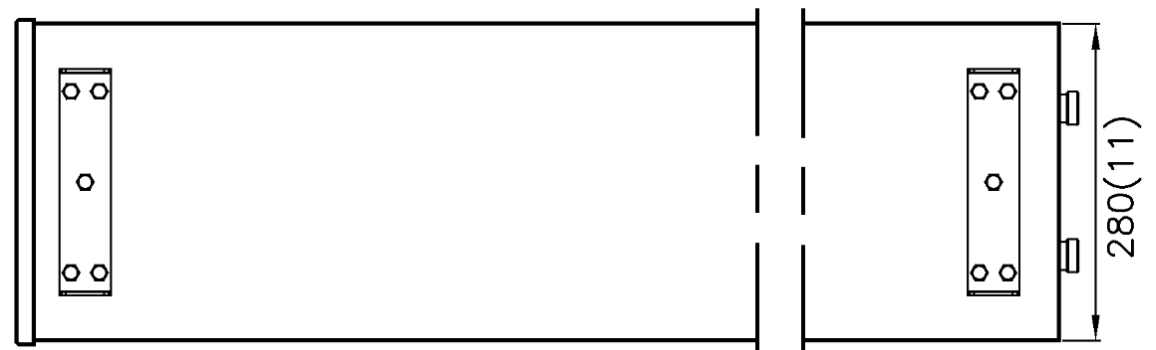
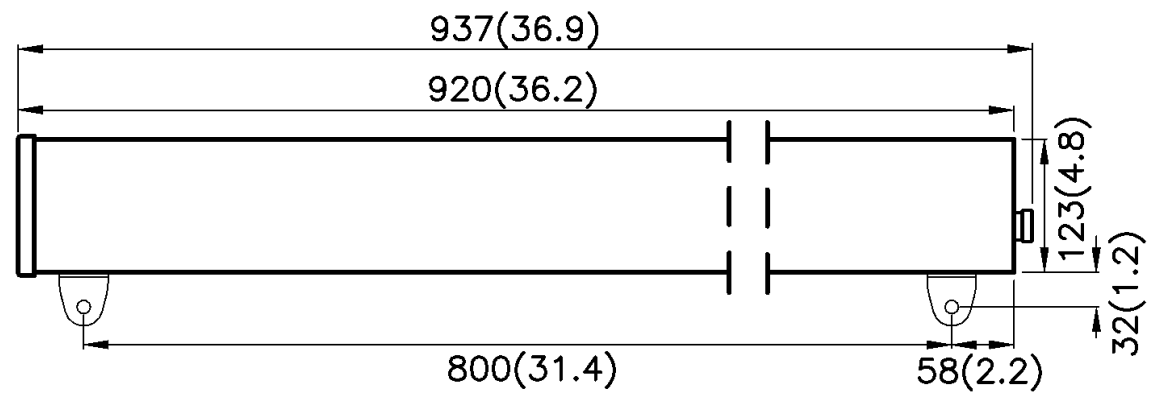
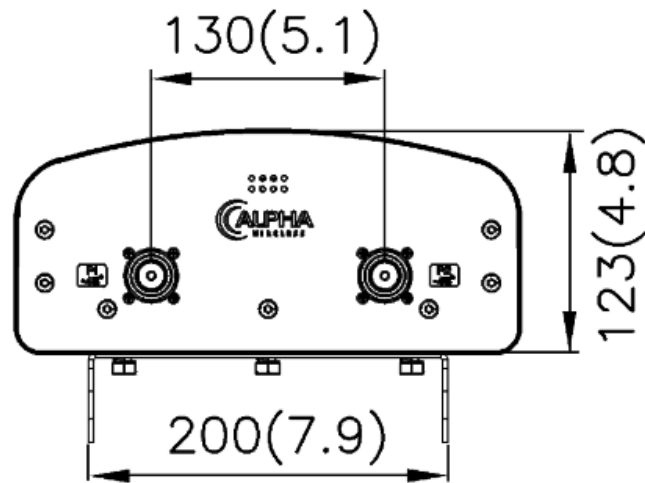


Array	Frequency MHz	Ports
R1	698 – 960	1 – 2

*Note: Coloured box sizes do not represent antenna sizes.*

## Mechanical Illustration

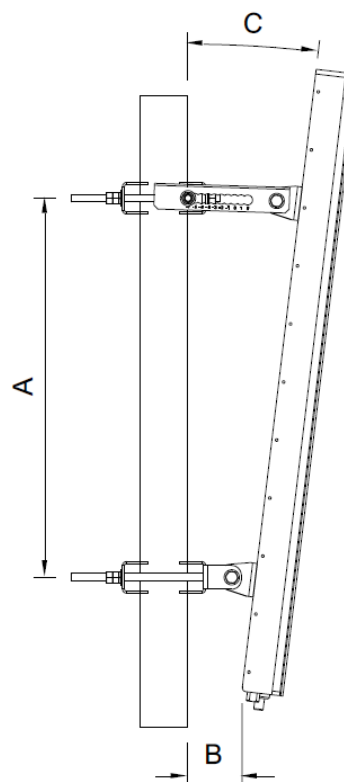
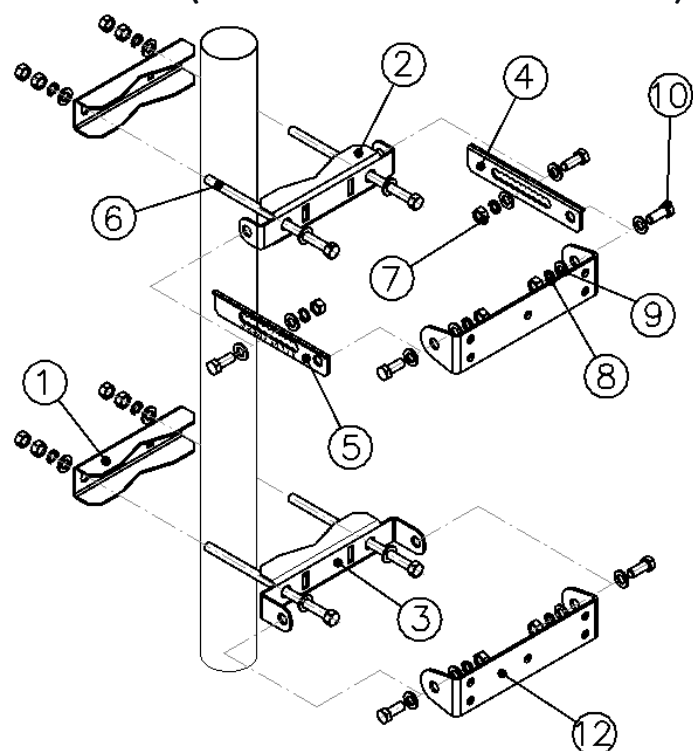
All measurements are in mm (in)



TECHNICAL SPECIFICATION

Mounting Bracket Kit

CL-V-110 Mount Kit (Mount Kit included with antenna)



Mounting Kit Tilt Range	Mounting Kit Material	Mounting Kit Pole Diameter
+1° to -7°	Stainless Steel	50mm-115mm (2" to 4.5")

Ordering Info

**Order Code - Antenna**  
AW3463-T0-F

**Description**  
Zero Degrees Fixed Tilt with 4.3-10 Connectors

Enquiries

**Global Headquarters**  
Ashgrove Business Centre,  
Ballybrittas, Portlaoise,  
R32 DT0A, IRELAND  
[sales@alphawireless.com](mailto:sales@alphawireless.com)  
+353 57 86 33847

**North America**  
7301 W. 129th Street, Suite 150,  
Overland Park,  
KS 66213, USA  
[sales@alphawireless.com](mailto:sales@alphawireless.com)  
+1 913 279 0008

**Australia**  
3/76 Regentville Rd,  
Jamisontown,  
NSW 2750, AUSTRALIA  
[sales@alphawireless.com](mailto:sales@alphawireless.com)  
+ 61 2 4504 8212

DISCLAIMER

The information in this document is provided solely regarding Alpha Wireless products. The information is not a guarantee of performance or characteristics. Alpha Wireless reserves the right to modify, change, amend, improve or make corrections to this document and its products, at any time and its sole discretion without prior written consent or notice. No license to any intellectual property rights is granted or implied under this document. Alpha Wireless disclaims warranties and liabilities of any kind including non-infringement of intellectual property rights of any third party.