



DATASHEET

AW3625-M-F-G

Common Name- 2Port, 24", MIMO, Bands 42, 43 & 48, MET & GPS Small Cell Omni

3300-3800MHz	2	MET	8.5	360°
Frequency	Ports	Tilt	Gain	Beamwidth

PRODUCT INFORMATION

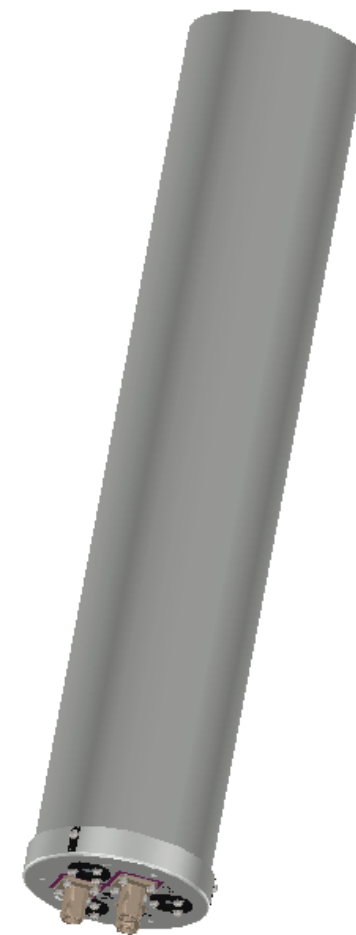
This product was developed to offer a Tri-Sector pseudo omni solution with independent tilt control on each of the three sectors across Bands 42/43 in a small form factor canister. It has a built in GPS antenna.

APPLICATION

Alpha Wireless pseudo omni antenna provides 360° coverage whilst in an ultra-compact radome design. The wide-band antenna is designed to be installed in urban environment where low visual impact is required. There are a number of mounting options available making deployments on lamp posts, utility poles, walls and other vertical structures possible. The 2 port antenna provides 2X2 MIMO for improved data throughput with electrical variable tilt for maximum optimization.

STANDARD & CERTIFICATIONS

Certification	BS EN ISO 9001:2015
---------------	---------------------



FEATURES

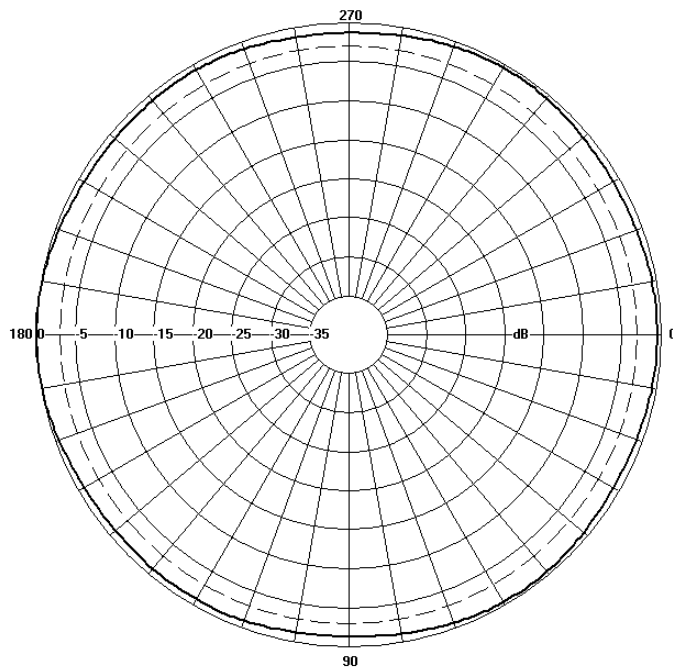
- Wide-band antenna for 3GPP bands 42, 43 & 48.
- Optimized Pseudo omni with reduced azimuth ripple
- Slim monopole design to reduce wind loading
- Independent RET control for each array (x3)
- Built in GPS antenna.

The parameters in this specification follow the definitions and recommendations per NGMN P-Basta, Release 9.6.

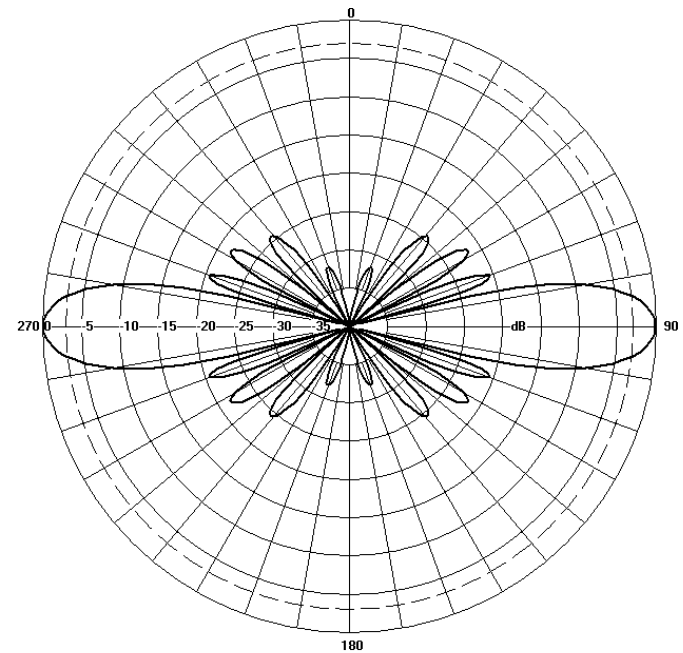
TECHNICAL SPECIFICATION

Electrical Specifications			
Frequency Range	MHz	3300 - 3800MHz	
Polarisation	Degree	+/- 45° Slant Linear	
Gain	Basta	dBi	8.0±0.5
	Max	dBi	8.5
Azimuth Beamwidth	Degree	360°	
Elevation Beamwidth	Degree	12°	
Electrical Downtilt	Degree	T0° - T10°	
Electrical Downtilt Deviation	Degree<	1°	
Impedance	Ohms	50	
VSWR	<	1.5	
Return Loss	dB>	14	
Isolation	dB>	25	
Upper Sidelobe Suppression, Peak to 20°	dB>	16	
Cross-Polar Discrimination	dB>	12	
Maximum Effective Power Per Port	W	50	

Representative Pattern Files



Azimuth



Elevation

For radiation pattern files, please login at www.alphawireless.com



TECHNICAL SPECIFICATION

Mechanical Specifications

Dimensions	mm (in)	600 (23.6) x 125 (4.9) - (L x Ø)
Packing Size (LxWxD)	mm (in)	670 (26.3) x 190 (7.4) x 250 (9.8)
Net Weight (antenna)	kg (lb)	3 (6.6)
Net Weight (mount)	kg (lb)	2 (4.4)
Shipping Weight	kg (lb)	6 (13.2)
Connector Type (Female)	-	4.3-10 and N Type (GPS)
Connector Quantity	-	2 + 1
Connector Position	-	Bottom
Windload Frontal (at Rated Wind Speed: 150km/h)	N (lbf)	80 (18)
Windload Lateral (at Rated Wind Speed: 150km/h)	N (lbf)	80 (18)
Survival Wind Speed	km/h (mph)	200 (125)
Radome Material	-	UV-Stabilised PVC
Radome Colour	RAL	7035
Product Compliance Environmental	-	RoHS
Lightning Protection	-	DC Grounded
Cold Temperature Survival	°C (°F)	-40 (-40)
Hot Temperature Survival	°C (°F)	70 (158)

GPS Specifications

RF Electrical Specifications

Centre Frequency	1575.42MHz +/- 10MHz
Gain	3 dBic @ 90° -2dBic @ 20°
Polarization	Right Hand Circular
Current Draw	7.5 mA @ 3.3VDC (typical)

Low Noise Amplifier Specifications

Nominal Impedance	50 Ohm
VSWR	1.5:1 (typical) @ 5.0V , 1.8:1 (typical) @ 3.3V
Nominal Gain	@ 3.3VDC: 25dB @ 5VDC: 25.5dB
Voltage	-5 VDC

Mechanical Specifications

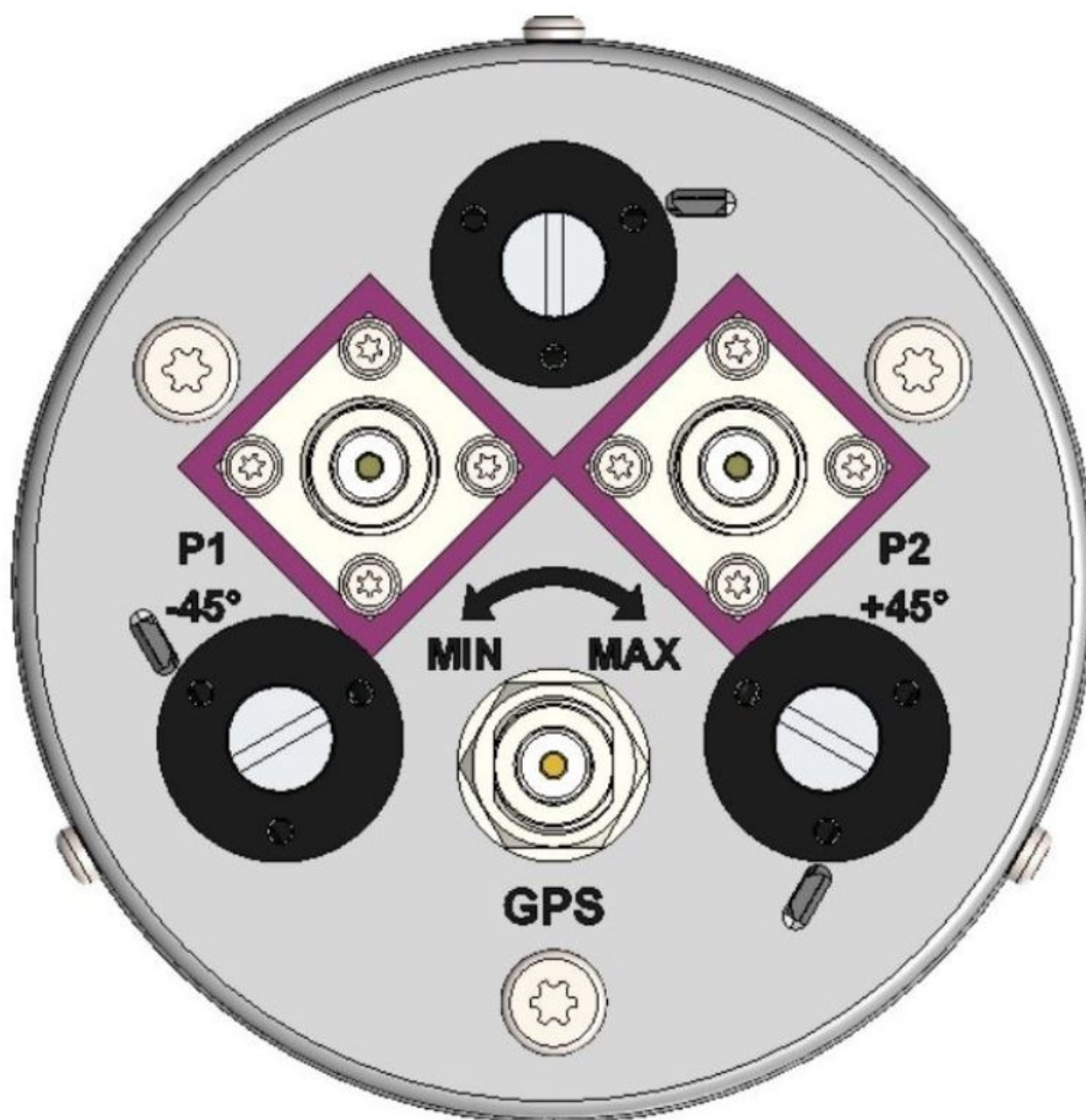
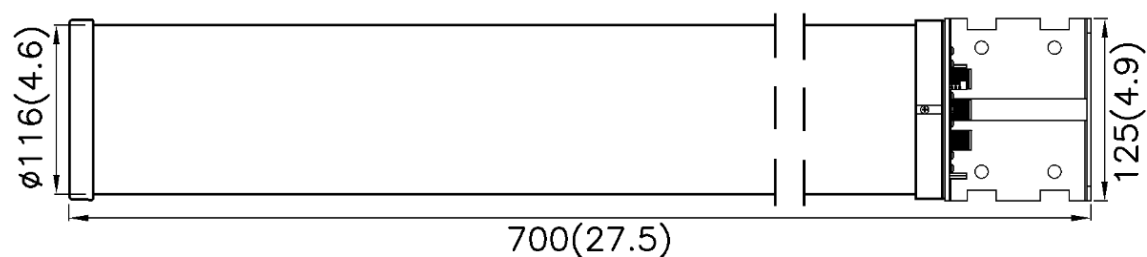
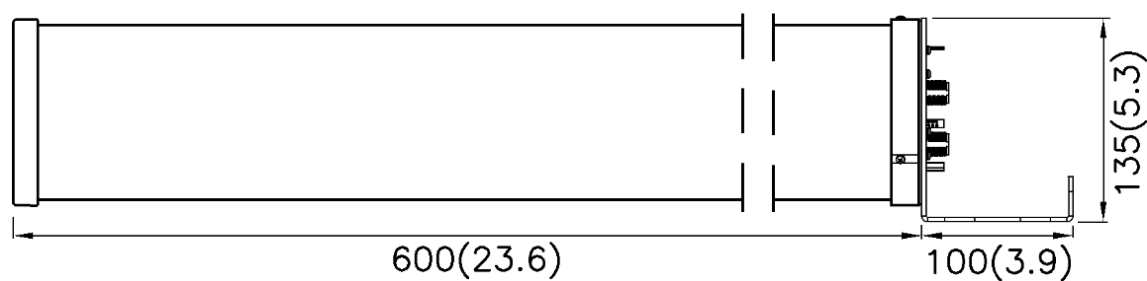
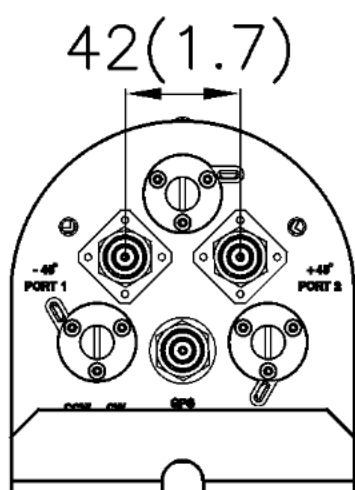
Connector	1 x N Type
-----------	------------

Environmental Specifications

Temperature Range	-40°C to +85°C operating
Humidity	95% max (non condensing)

Mechanical Illustration

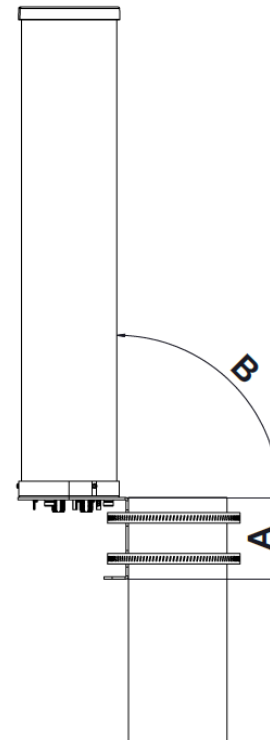
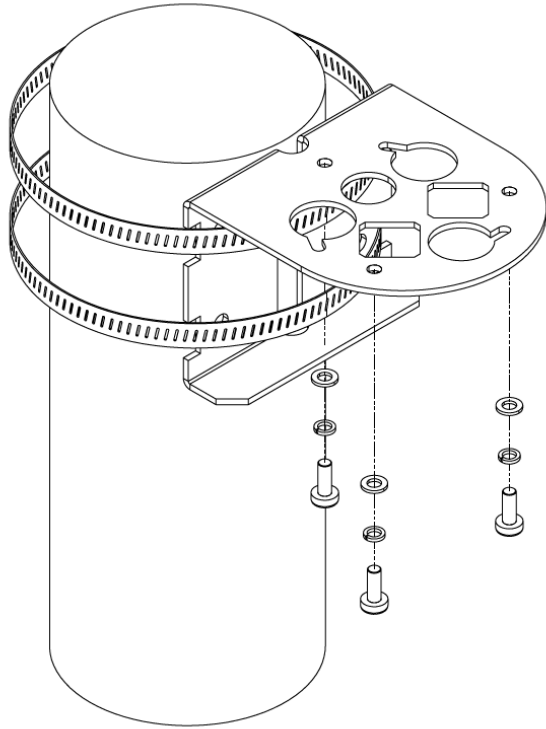
All measurements are in mm (in)





TECHNICAL SPECIFICATION
Mounting Bracket Kit

CL-V-127 (Mounting Kit included with Antenna)



Mounting Kit Tilt Range	Mounting Kit Material	Mounting Kit Pole Diameter
0°	Galvanised Steel	N/A

Ordering Info

Order Code - Antenna

AW3625-M-F-G

Order Code - Accessories

AW1012-2-FM-FM

AW1012-2-FM-NM

AW1014-2-FM-TM

Description

Manual Electrical Tilt (MET) with 4.3-10 Connectors and Integrated GPS

Description

RF Jumper Cable, connector types 4.3-10 (m) / 4.3-10 (m), length 2 metres (6'6")

RF Jumper Cable, connector types 4.3-10 (m) / N-Type (m), length 2 metres (6'6")

RF Jumper Cable, connector types 4.3-10 (m) / Nex10 (m), length 2 metres (6'6")

Enquiries

Global Headquarters

Ashgrove Business Centre,
 Ballybrittas, Portlaoise, Ireland
 Post code: R32 DT0A
sales@alphawireless.com
 +353 57 86 33847

North America

7301 W. 129th Street, Suite 150
 Overland Park,
 KS 66213, USA
sales@alphawireless.com
 +1 913 279 0008

Australia

3/76 Regentville Rd,
 Jamisontown
 NSW 2750 AUSTRALIA
sales@alphawireless.com
 + 61 2 4504 8212

Alpha Wireless



DISCLAIMER

The information in this document is provided solely regarding Alpha Wireless products. The information is not a guarantee of performance or characteristics. Alpha Wireless reserves the right to modify, change, amend, improve or make corrections to this document and its products, at any time and its sole discretion without prior written consent or notice. No license to any intellectual property rights is granted or implied under this document. Alpha Wireless disclaims warranties and liabilities of any kind including non-infringement of intellectual property rights of any third party.