



DATASHEET

AW3672-M-F-G

Common Name- 4Port, 24", Bands 42, 43 & 48, MET and Integrated GPS Small Cell Omni

3400 - 3800MHz	4	MET	8.5	360°
Frequency	Ports	Tilt	Gain	Beamwidth

PRODUCT INFORMATION

This product offers patented 4x4 MIMO capability in a pseudo omni configuration. In addition it offers independent tilt control on each of the six sectors across Bands 42/43 in a small form factor canister.

APPLICATION

Alpha Wireless pseudo omni antenna provides 360° coverage whilst in an ultra-compact Radome. This 4X4 MIMO Omni antenna enables improved Azimuth Pattern Control. The Radiation Pattern section on page 2 describes this in more detail.

The Variable Tilt feature of this Omni antenna enables the user to optimise the Elevation Beam for improved coverage and throughput.

This wide-band antenna was designed for urban environments where low visual impact is important. There are a number of mounting options available making deployments on lamp posts, utility poles, walls and other vertical structures possible.

STANDARD & CERTIFICATIONS

Certification	BS EN ISO 9001:2015
---------------	---------------------



FEATURES

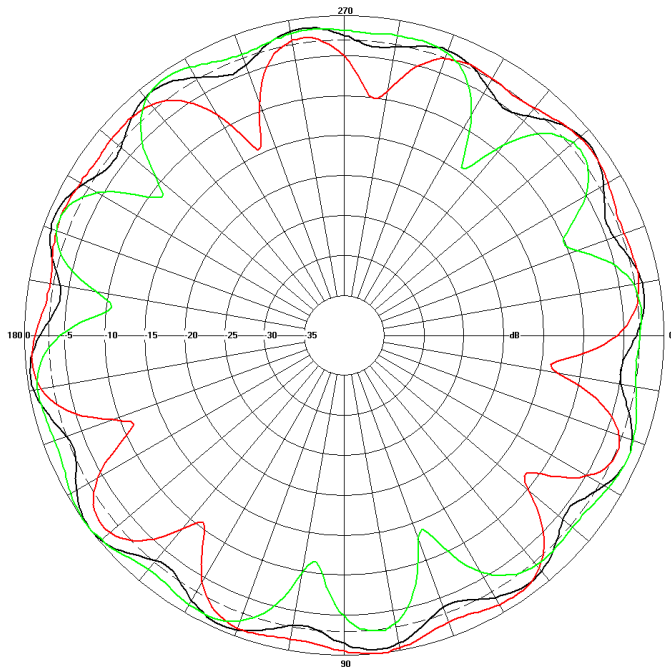
- Wide-band antenna for 3GPP bands 42, 43 & 48.
- Optimized Pseudo omni with reduced azimuth ripple
- Independent RET control for each array (x6)
- Slim monopole design to reduce wind loading
- Integrated GPS

The parameters in this specification follow the definitions and recommendations per NGMN P-Basta, Release 9.6.

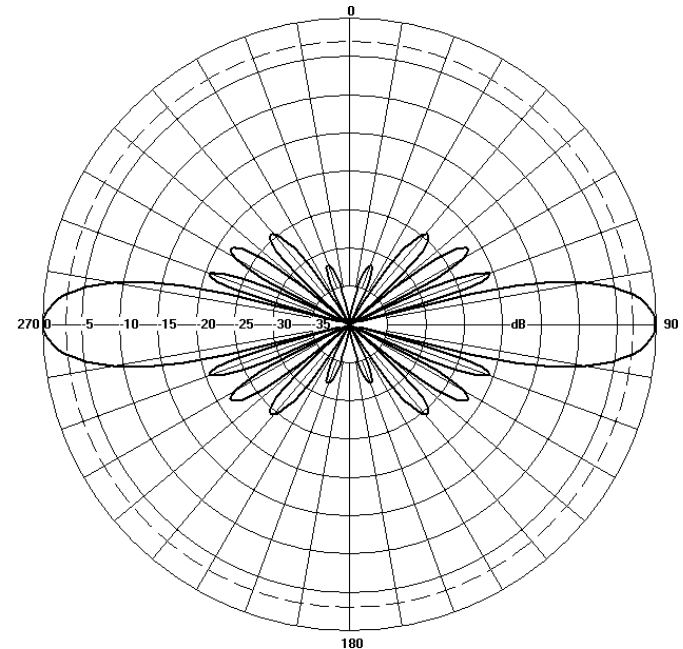
TECHNICAL SPECIFICATION

Electrical Specifications			
Frequency Range	MHz	3400 - 3800MHz	
Polarisation	Degree	+/- 45° Slant Linear	
Gain	Basta	dBi	8.0±0.5
	Max	dBi	8.5
Azimuth Beamwidth	Degree	360°	
Elevation Beamwidth	Degree	11°	
Electrical Downtilt	Degree	T0° - T10°	
Electrical Downtilt Deviation	Degree<	1°	
Impedance	Ohms	50	
VSWR	<	1.5	
Return Loss	dB>	14	
Isolation	dB>	25	
Passive Intermodulation	dBc<	-150	
Upper Sidelobe Suppression, Peak to 20°	dB>	10	
Cross-Polar Discrimination	dB>	7	
Maximum Effective Power Per Port	W	50	

Representative Pattern Files



Azimuth



Elevation

The green curve represents the azimuth pattern of Ports 1 & 2.

The red curve represents the azimuth pattern of Ports 3 & 4.

The black curve represents the composite azimuth pattern, a smooth Omni pattern with minimized nulls.

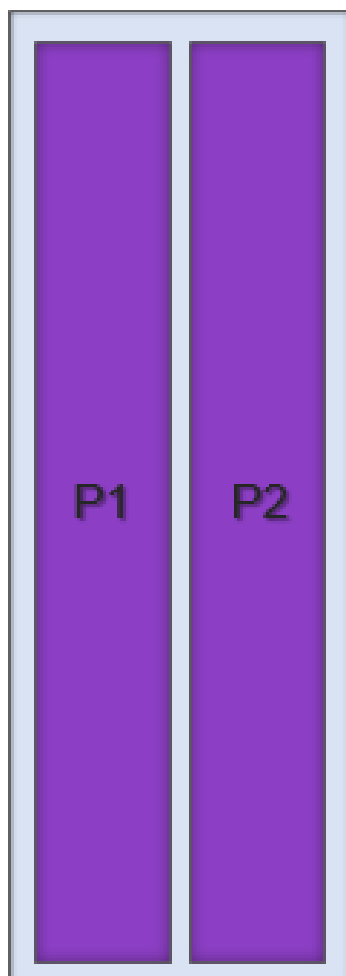
For radiation pattern files, please login at www.alphawireless.com

TECHNICAL SPECIFICATION

Mechanical Specifications

Dimensions	mm (in)	600 (23.6) x 220 (8.6) - (L x Ø)
Packing Size (LxWxD)	mm (in)	680 (26.7) x 295 (11.6) x 445 (17.5)
Net Weight (antenna)	kg (lb)	5.9(13)
Net Weight (mount)	kg (lb)	1.6(3.5)
Shipping Weight	kg (lb)	8.6(19)
Connector Type (Female)	-	4.3-10
Connector Quantity	-	4
Connector Position	-	Bottom
Windload Frontal (at Rated Wind Speed: 150km/h)	N (lbf)	110 (25)
Windload Lateral (at Rated Wind Speed: 150km/h)	N (lbf)	110 (25)
Survival Wind Speed	km/h (mph)	200 (125)
Radome Material	-	UV-Stabilised PVC
Radome Colour	RAL	9010
Product Compliance Environmental	-	RoHS
Lightning Protection	-	DC Grounded
Cold Temperature Survival	°C (°F)	-40 (-40)
Hot Temperature Survival	°C (°F)	70 (158)

Array Layout and RET Information



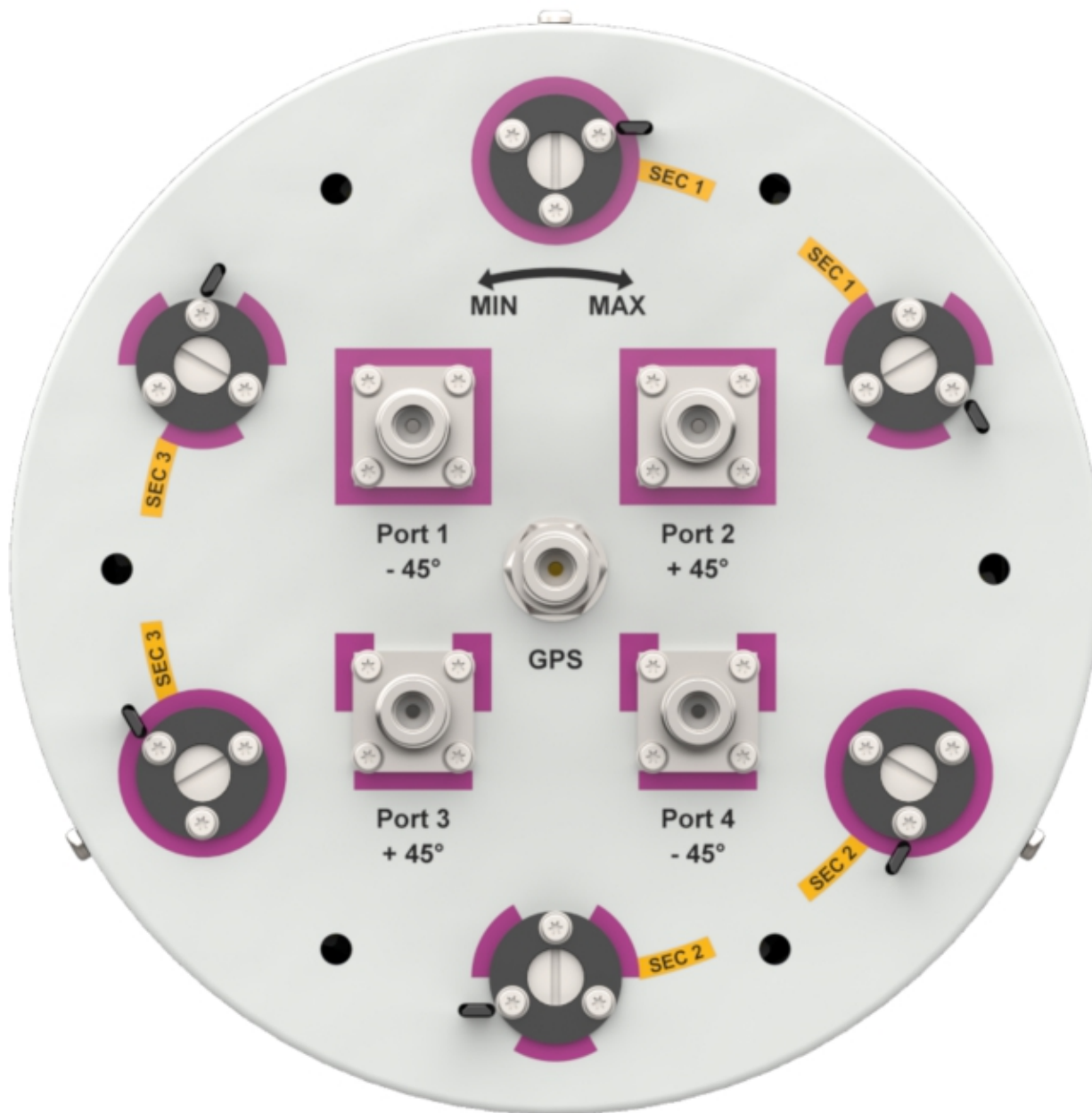
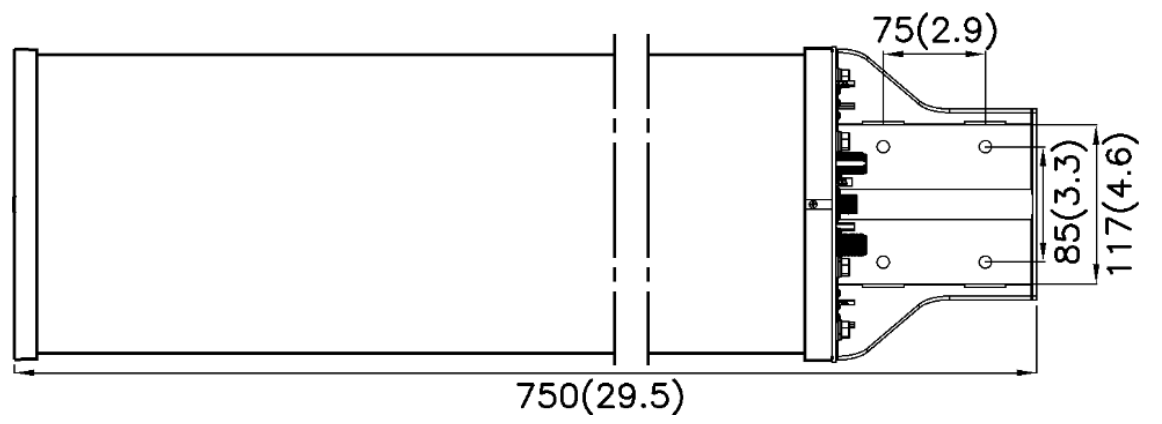
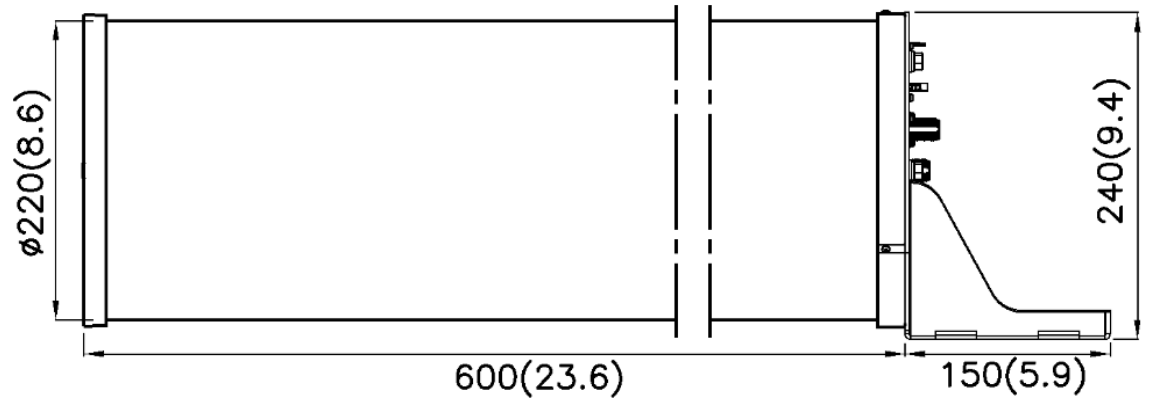
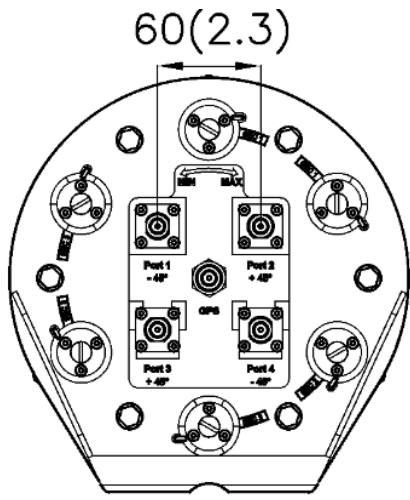
Array	Frequency MHz	Ports	MET ID
R1	3400- 3800	1 – 2	1
R2	3400- 3800	3 – 4	2

Array layout depicts one individual sector.

Note: Coloured box sizes do not represent antenna sizes.

Mechanical Illustration

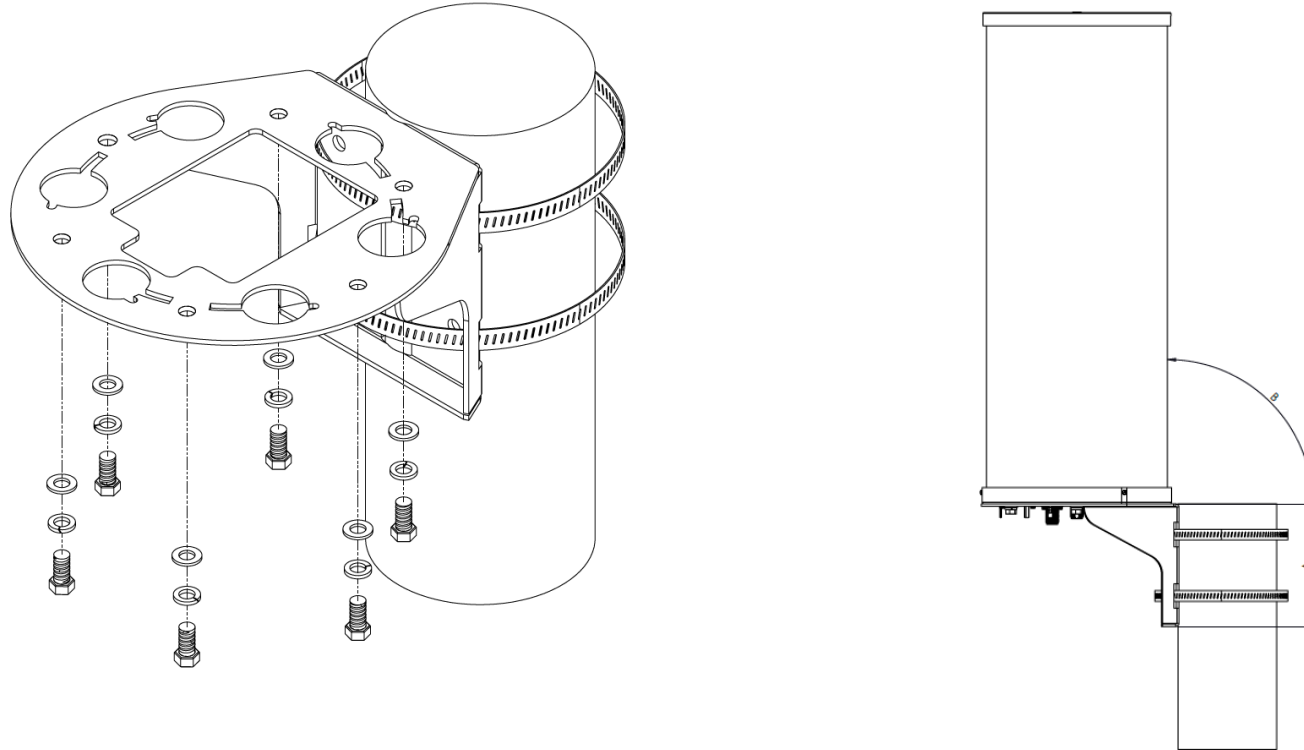
All measurements are in mm (in)



TECHNICAL SPECIFICATION

Mounting Bracket Kit

CL-V-144 (210mm-242mm Quick Release Hose Strap & Mounting Kit Included with Antenna)



Mounting Kit Tilt Range	Mounting Kit Material	Mounting Kit Pole Diameter
0°	Stainless Steel	N/A

Ordering Info

Order Code - Antenna

AW3672-M-F-G

Description

Manual Electrical Tilt (MET) with 4.3-10 Connectors and Integrated GPS

Order Code - Accessories

AW1012-2-FM-FM

Description

RF Jumper Cable, connector types 4.3-10 (m) / 4.3-10 (m), length 2 metres (6'6")

AW1012-2-FM-NM

RF Jumper Cable, connector types 4.3-10 (m) / N-Type (m), length 2 metres (6'6")

AW1014-2-FM-TM

RF Jumper Cable, connector types 4.3-10 (m) / Nex10 (m), length 2 metres (6'6")

Enquiries

Global Headquarters

Ashgrove Business Centre,
Ballybrittas, Portlaoise,
R32 DT0A, IRELAND
sales@alphawireless.com
+353 57 86 33847

North America

7301 W. 129th Street, Suite 150,
Overland Park,
KS 66213, USA
sales@alphawireless.com
+1 913 279 0008

Australia

3/76 Regentville Rd,
Jamisontown,
NSW 2750, AUSTRALIA
sales@alphawireless.com
+ 61 2 4504 8212

DISCLAIMER

The information in this document is provided solely regarding Alpha Wireless products. The information is not a guarantee of performance or characteristics. Alpha Wireless reserves the right to modify, change, amend, improve or make corrections to this document and its products, at any time and its sole discretion without prior written consent or notice. No license to any intellectual property rights is granted or implied under this document. Alpha Wireless disclaims warranties and liabilities of any kind including non-infringement of intellectual property rights of any third party.