



AW3719-T0-F

Common Name 10 Port, (6P/2P/2P), 24", Multiband Omni Canister

1695-2690MHz	6	Fixed	8.5	360°
3400-3800MHz	2	Fixed	5	360°
5150-5925MHz	2	Fixed	5	360°
Frequency	Ports	Tilt	Gain	Beamwidth

PRODUCT INFORMATION

This product was designed to offer 6 ports across 1695-2690MHz, 2 ports across 3400-3800MHz (CBRS / C Band) and 2 ports across 5150-5925MHz (LAA) in a 2 foot Mini Macro housing.

APPLICATION

Alpha Wireless multi-band small cell provides omni-directional coverage whilst in an ultra-compact radome design. The antenna is designed to be installed in an urban environment where low visual impact is required. There are a number of mounting options available making deployments on lamp posts, utility poles, walls and other vertical structures possible.

STANDARD & CERTIFICATIONS

Certification	BS EN ISO 9001:2015
---------------	---------------------



FEATURES

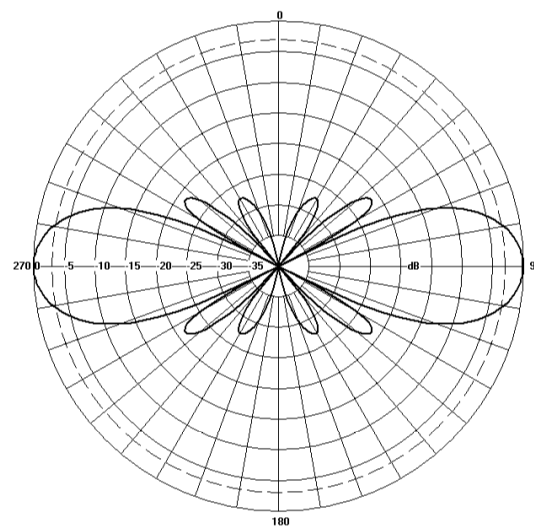
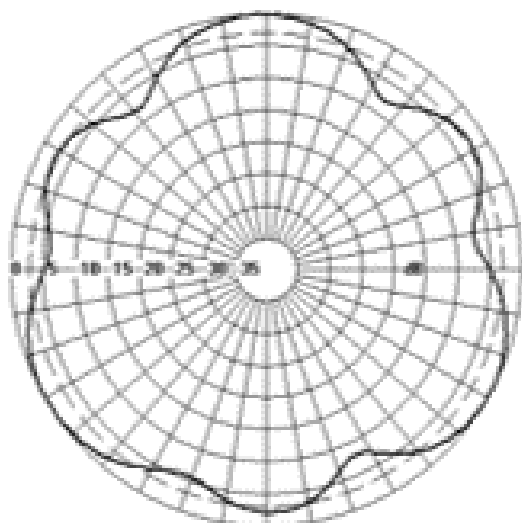
- High port count enabling multiple operators
- Compact design - Low visual impact.
- 6 ports operating across 1695 - 2690MHz
- 2 ports operating across 3400 - 3800MHz
- 2 ports operating across 5150 - 5925MHz

The parameters in this specification follow the definitions and recommendations per NGMN P-Basta, Release 9.6.

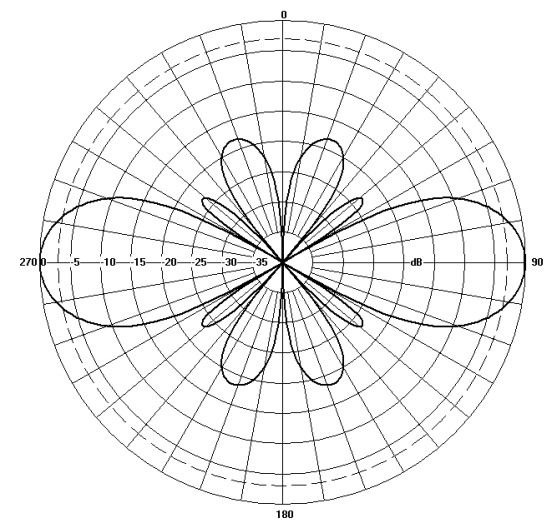
TECHNICAL SPECIFICATION

Electrical Specifications								
Frequency Range	MHz	1695-1995	1920-2170	2170-2500	2500-2690	3400-3800	5150-5925	
Polarisation	Degree	+/- 45° Slant Linear						
Gain	Basta	dBi	7.8±0.5	8.3±0.5	8.0±0.5	8.5±0.5	4.5±0.5	4.5±0.5
	Max	dBi	8.3	8.8	8.5	9.0	5.0	5.0
Azimuth Beamwidth	Degree	360°	360°	360°	360°	360°	360°	360°
Elevation Beamwidth	Degree	19°	17°	15°	13°	30°	28°	
Electrical Downtilt	Degree	T0°	T0°	T0°	T0°	T0°	T0°	
Electrical Downtilt Deviation	Degree<	1.5°	1.5°	1.5°	1.5°	3°	3°	
Impedance	Ohms	50						
VSWR	<	1.5						
Return Loss	dB>	14						
Isolation	dB>							
Intraband Isolation (same band/same array)	dB>	25	25	25	25	25	25	
Network to Network Isolation (same band different array)	dB>	28	28	28	28	28	28	
Interband Isolation (different band and array)	dB	28	28	28	28	28	28	
Passive Intermodulation	dBc<	-150	-150	-150	-150	N/A	N/A	
Cross-Polar Discrimination (0°)	dB>	10	10	10	10	10	10	
Maximum Effective Power Per Port	W	250	250	250	250	50	1	

Representative Pattern Files



1695 - 2690MHz



3400 - 3800MHz

Azimuth

Elevation

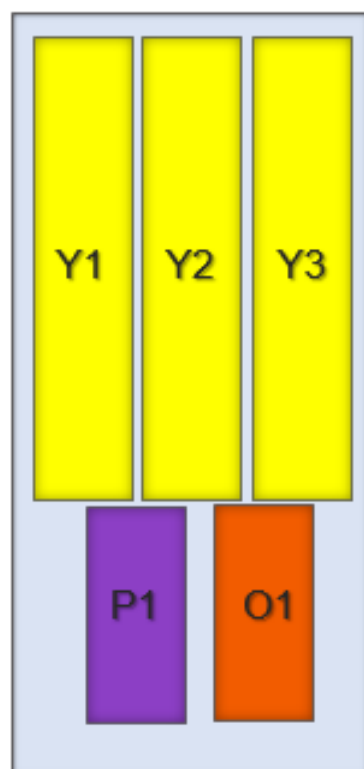
For radiation pattern files, please login at www.alphawireless.com

TECHNICAL SPECIFICATION

Mechanical Specifications

Dimensions	mm (in)	610 (24) x 248 (9.8)
Volume	ft ³ (l)	2.32 (65.6)
Packing Size (LxWxD)	mm (in)	819 (32.2) x 350 (13.7) x 310 (12.2)
Net Weight (antenna)	kg (lb)	5 (11)
Net Weight (mount)	kg (lb)	3 (6.6)
Shipping Weight	kg (lb)	9.5 (21)
Connector Type (Female)	-	4.3-10
Connector Position	-	Bottom
Connector Quantity	-	10 (6P Mid Band, 2P CBRS/C Band, 2P LAA)
Windload Frontal (at Rated Wind Speed: 150km/h)	N	120 (27)
Windload Lateral (at Rated Wind Speed: 150km/h)	N	120 (27)
Survival Wind Speed	km/h (mph)	200 (125)
Radome Material	-	ASA
Radome Colour	RAL	7035 (light grey)
Product Compliance Environmental	-	RoHS
Lightning Protection	-	DC Grounded
Cold Temperature Survival	Celsius (Fahrenheit)	-40 (-40)
Hot Temperature Survival	Celsius (Fahrenheit)	70 (158)

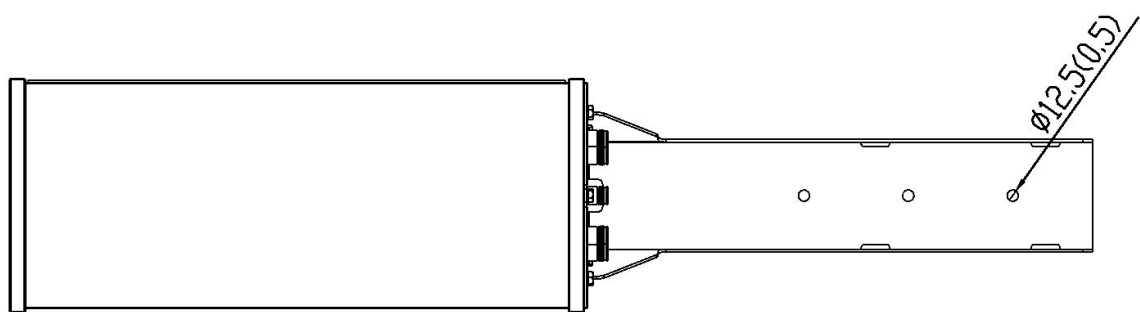
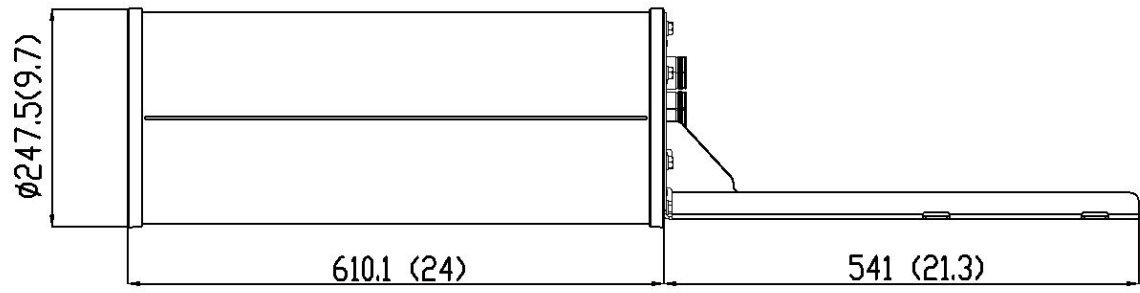
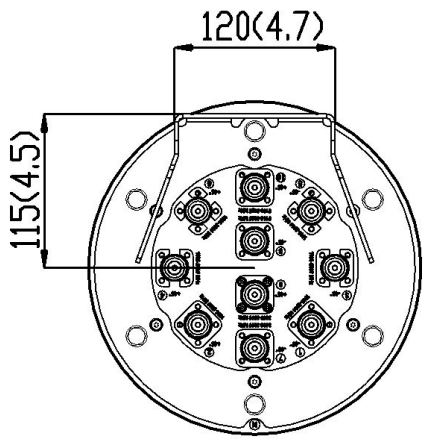
Array Layout and RET Information



Array	Frequency MHz	Ports
Y1	1695 - 2690	1 - 2
Y2	1695 - 2690	3 - 4
Y3	1695 - 2690	5 - 6
P1	3400 - 3800	7 - 8
O1	5150 - 5925	9 - 10

Note: Coloured box sizes do not represent antenna sizes.

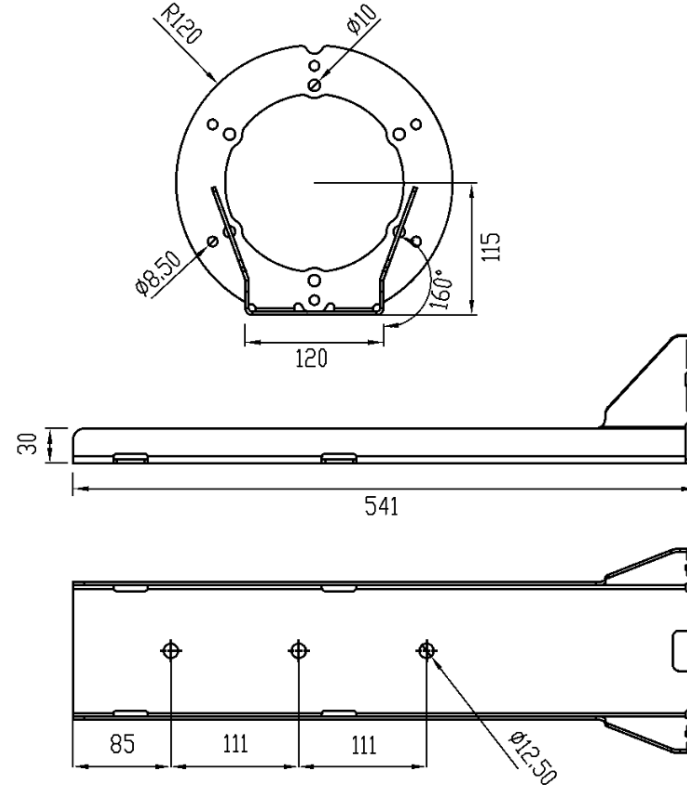
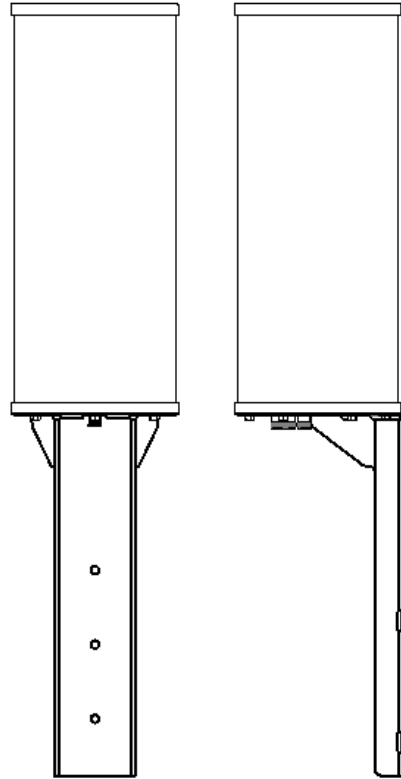
Mechanical Illustration



TECHNICAL SPECIFICATION

Mounting Bracket Kit

CL-V-155 (210mm-242mm Quick Release Hose Strap & Mounting Kit included with Antenna)



Mounting Kit Tilt Range	Mounting Kit Material	Mounting Kit Pole Diameter
N/A	Stainless Steel	N/A

Ordering Info

Order Code - Antenna

AW3719-T0-F

Order Code - Accessories

AW1012-2-FM-FM

AW1012-2-FM-NM

AW1014-2-FM-TM

Description

Zero Degrees Fixed Tilt with 4.3/10 Connectors.

Description

RF Jumper Cable, connector types 4.3-10 (m) / 4.3-10 (m), length 2 metres (6'6")

RF Jumper Cable, connector types 4.3-10 (m) / N-Type (m), length 2 metres (6'6")

RF Jumper Cable, connector types 4.3-10 (m) / Nex10 (m), length 2 metres (6'6")

Enquiries

Global Headquarters

Ashgrove Business Centre,
Ballybrittas, Portlaoise,
R32 DT0A, IRELAND
sales@alphawireless.com
+353 57 86 33847

North America

7301 W. 129th Street, Suite 150,
Overland Park,
KS 66213, USA
sales@alphawireless.com
+1 913 279 0008

Australia

3/76 Regentville Rd,
Jamisontown,
NSW 2750, AUSTRALIA
sales@alphawireless.com
+ 61 2 4504 8212

DISCLAIMER

The information in this document is provided solely regarding Alpha Wireless products. The information is not a guarantee of performance or characteristics. Alpha Wireless reserves the right to modify, change, amend, improve or make corrections to this document and its products, at any time and its sole discretion without prior written consent or notice. No license to any intellectual property rights is granted or implied under this document. Alpha Wireless disclaims warranties and liabilities of any kind including non-infringement of intellectual property rights of any third party.

© Alpha Wireless Limited 2022