



# DATASHEET

## AW3727-T8-N

Common Name- 2 Port, 1.3M, UWLB, Fixed tilt, 65°, Panel

470-698MHz	2	Fixed	12.5	65°
Frequency	Ports	Tilt	Gain	Beamwidth

### PRODUCT INFORMATION

Developed as a solution for ultra-wide low band 470-698MHz.

### APPLICATION

Alpha Wireless panel antennas provide wireless network operators the highest performance and quality. The ultra-wide low band antenna is designed to be installed in urban environment where low visual impact is required. There are a number of mounting options available making deployments on lamp posts, utility poles, walls and other vertical structures possible. The 2 port antenna provides 2x2 MIMO for improved data throughput.

### STANDARD & CERTIFICATIONS

Certification	BS EN ISO 9001:2015
---------------	---------------------



### FEATURES

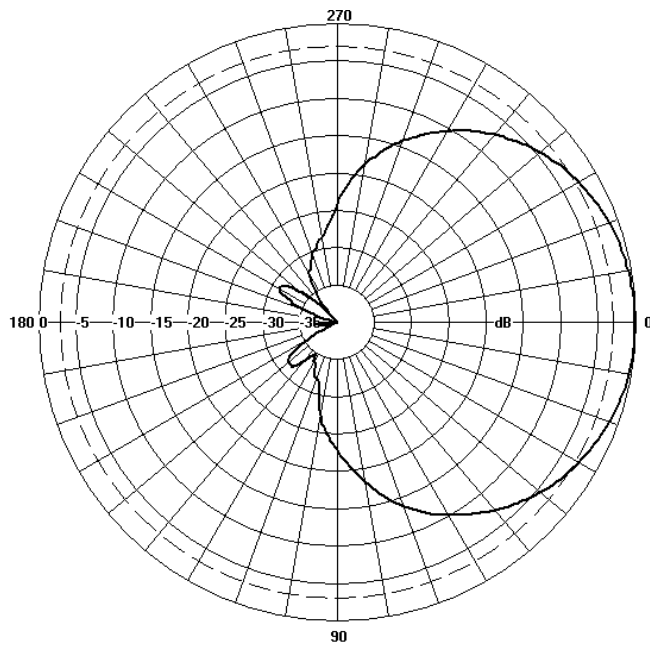
- Ultra-Wide low band antenna 470-698MHz
- Dual Cross polarization antenna +/-45°
- Mounting bracket with variable tilt
- Manufactured in Ireland

*The parameters in this specification follow the definitions and recommendations per NGMN P-Basta, Release 11.1.*

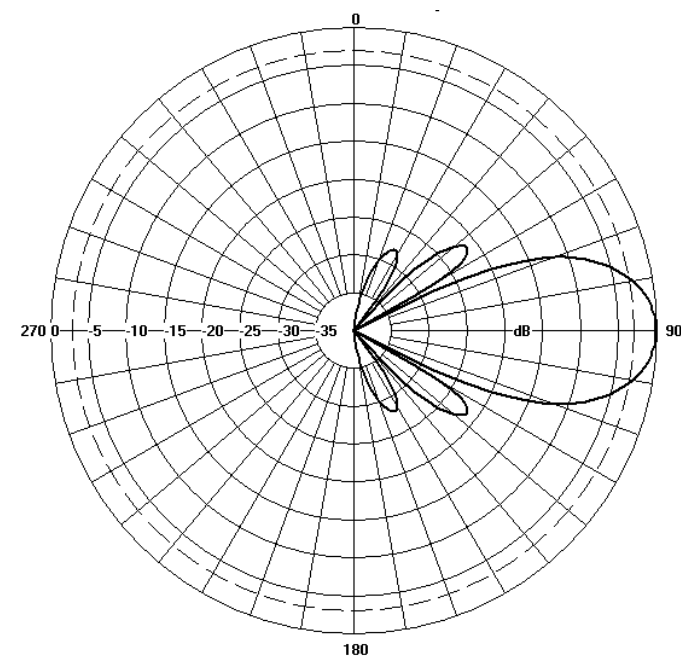
## TECHNICAL SPECIFICATION

Electrical Specifications			
Frequency Range		MHz	470 - 698MHz
Polarisation		Degree	+/- 45° Slant Linear
Gain	Basta	dBi	12.0±0.5
	Max	dBi	12.5
Azimuth Beamwidth		Degree	65°
Elevation Beamwidth		Degree	25°
Electrical Downtilt		Degree	T8°
Impedance		Ohms	50
VSWR		<	1.5
Return Loss		dB>	14
Isolation		dB>	28
Front to Back Ratio: Total Power +/-30°		dB>	25
Cross-Polar Discrimination		dB>	20
Maximum Effective Power Per Port		W	300

## Representative Pattern Files



Azimuth



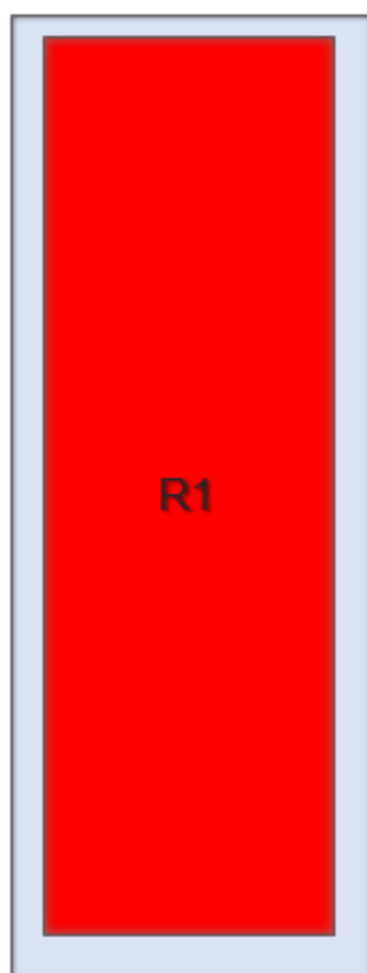
Elevation

For radiation pattern files, please login at [www.alphawireless.com](http://www.alphawireless.com)

## TECHNICAL SPECIFICATION

Mechanical Specifications		
Dimensions	mm (in)	1250 (49.4) x 412 (16.2) x 136 (5.3) - (LxWxD)
Packing Size (LxWxD)	mm (in)	1400(55.1) x 500(19.6) x 250(9.8)
Net Weight (antenna)	kg (lb)	10 (22.0)
Net Weight (mount)	kg (lb)	1.5 (3.3)
Shipping Weight	kg (lb)	11.5 (25.35)
Connector Type (Female)	-	4.3-10
Connector Quantity	-	2
Connector Position	-	Bottom
Windload Frontal (at Rated Wind Speed: 150km/h)	N (lbf)	530 (120)
Windload Lateral (at Rated Wind Speed: 150km/h)	N (lbf)	204 (45)
Survival Wind Speed	km/h (mph)	200 (125)
Radome Material	-	UV-Stabilised PVC
Radome Colour	RAL	7035 (light grey)
Product Compliance Environmental	-	RoHS
Lightning Protection	-	DC Grounded
Cold Temperature Survival	°C (°F)	-40 (-40)
Hot Temperature Survival	°C (°F)	70 (158)

## Array Layout and RET Information

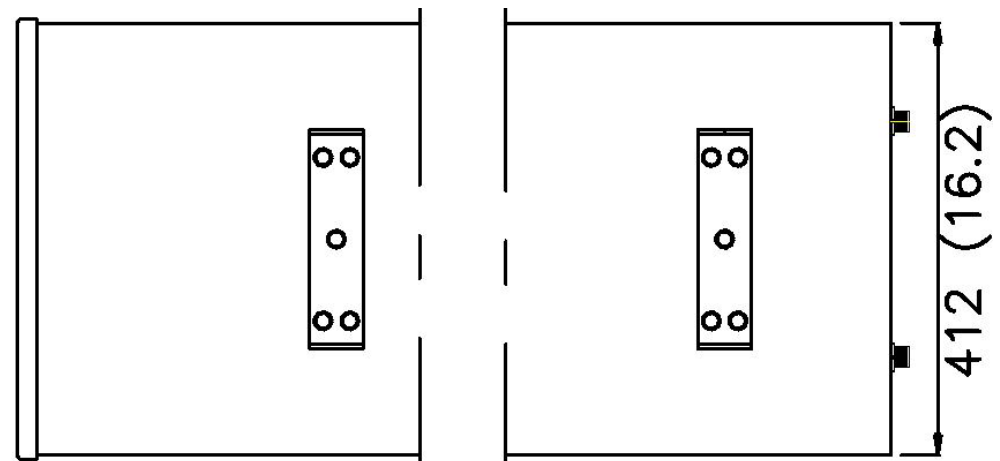
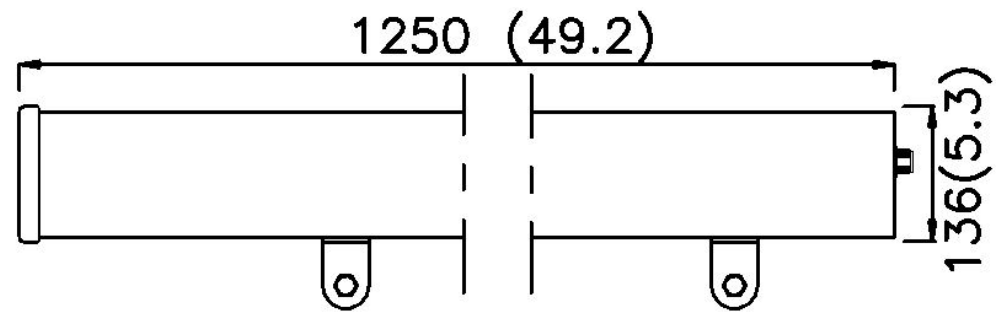
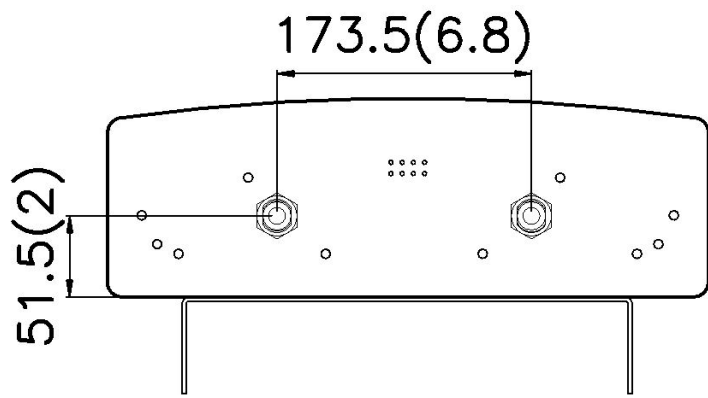


Array	Frequency MHz	Ports
R1	470 – 698	1 – 2

*Note: Coloured box sizes do not represent antenna sizes.*

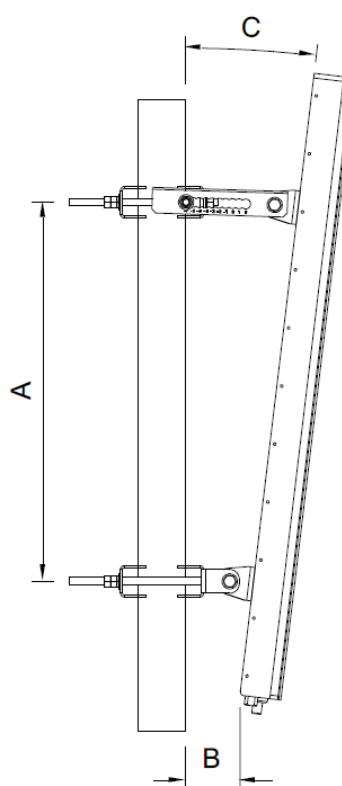
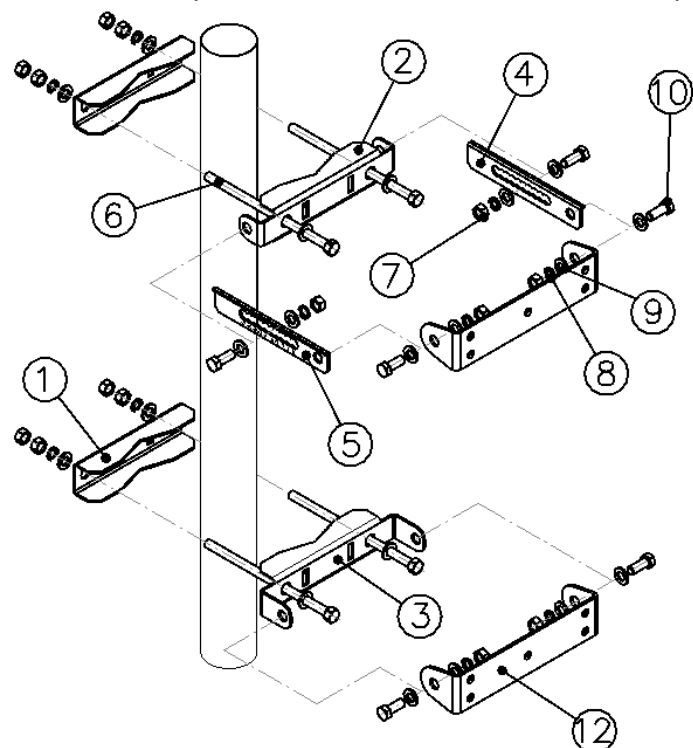
## Mechanical Illustration

All measurements are in mm (in)



**TECHNICAL SPECIFICATION**  
**Mounting Bracket Kit**

CL-V-110 Mount Kit (Mount Kit included with antenna)



Mounting Kit Tilt Range	Mounting Kit Material	Mounting Kit Pole Diameter
+1° to -7°	Stainless Steel	50mm-115mm (2" to 4.5")

**Ordering Info**

**Order Code - Antenna**

AW3727-T8-N

**Description**

Eight Degrees Fixed Tilt with N-Type Connectors

**Order Code - Accessories**

- AW1012-2-FM-FM
- AW1012-2-FM-NM
- AW1014-2-FM-TM

**Description**

- RF Jumper Cable, connector types 4.3-10 (m) / 4.3-10 (m), length 2 metres (6'6")
- RF Jumper Cable, connector types 4.3-10 (m) / N-Type (m), length 2 metres (6'6")
- RF Jumper Cable, connector types 4.3-10 (m) / Nex10 (m), length 2 metres (6'6")

**Enquiries**

**Global Headquarters**  
 Ashgrove Business Centre,  
 Ballybrittas, Portlaoise,  
 R32 DT0A, IRELAND  
[sales@alphawireless.com](mailto:sales@alphawireless.com)  
 +353 57 86 33847

**North America**  
 7301 W. 129th Street, Suite 150,  
 Overland Park,  
 KS 66213, USA  
[sales@alphawireless.com](mailto:sales@alphawireless.com)  
 +1 913 279 0008

**Australia**  
 3/76 Regentville Rd,  
 Jamisontown,  
 NSW 2750, AUSTRALIA  
[sales@alphawireless.com](mailto:sales@alphawireless.com)  
 + 61 2 4504 8212

**DISCLAIMER**

The information in this document is provided solely regarding Alpha Wireless products. The information is not a guarantee of performance or characteristics. Alpha Wireless reserves the right to modify, change, amend, improve or make corrections to this document and its products, at any time and its sole discretion without prior written consent or notice. No license to any intellectual property rights is granted or implied under this document. Alpha Wireless disclaims warranties and liabilities of any kind including non-infringement of intellectual property rights of any third party.