



## AW3747-T0-F

**Common Name** 12 Port, (4P/4P/2P/2P), 24", Omni 360° Low Band, Mid Band, CBRS & LAA, Small Cell

617-894MHz	4	Fixed	2.1	360°
1695-2690MHz	4	Fixed	8.5	360°
3400-3800MHz	2	Fixed	5	360°
5150-5925MHz	2	Fixed	5	360°
Frequency	Ports	Tilt	Gain	Beamwidth

## PRODUCT INFORMATION

This product design is intended to offer multiple ports across multiple bands. There are four Low Band ports, four Mid Band Ports, two CBRS ports and two LAA ports. The Low Band extends down to the 617MHz band using wideband technology.

Low band, Mid band, CBRS and LAA are Fixed Tilt.

Unit meets FCC Part 15.407 (a) (1) (i) for U-NII Band requirements.

## APPLICATION

This Alpha Wireless multi-port multi-band small cell provides a solution where 24" height is important. The CL-V-169 Pole Mount Bracket is used to mount this canister on poles.



## STANDARD & CERTIFICATIONS

Certification	BS EN ISO 9001:2015
---------------	---------------------



## FEATURES

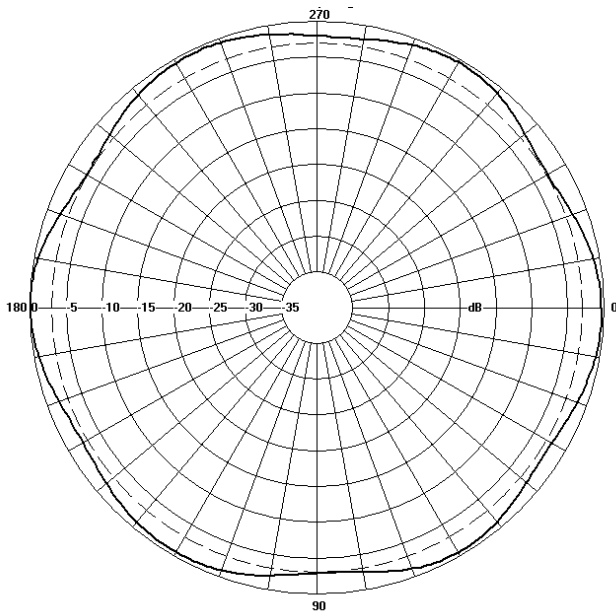
- High Port count enabling multiple operators.
- High Data rate frequency bands covered including Mid Band, CBRS and LAA.
- Low Band extends down to 617MHz
- Compact design for low visual impact.
- Meets current U-NII-1 requirements for gain and upper side lobe performance.
- Manufactured in Ireland.

*The parameters in this specification follow the definitions and recommendations per NGMN P-Basta, Release 9.6.*

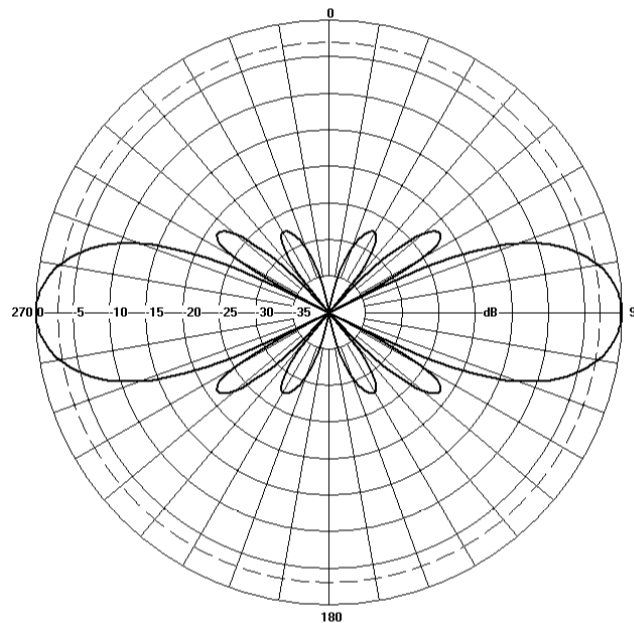
## TECHNICAL SPECIFICATION

Electrical Specifications		Low Band				Mid Band				3.5/ 5.5GHz		
Frequency Range	MHz	617-686	686-755	755-824	824-894	1695-1995	1920-2170	2170-2500	2500-2690	3400-3800	5150-5925	
Polarisation		+/- 45° Slant Linear										
Gain	Basta	dB	1.6±0.5	2.0±0.5	1.5.0±0.5	1.6±0.5	7.3±0.5	7.8±0.5	7.5±0.5	8.0±0.5	4.5±0.5	4.5±0.5
	Max	dB	2.1	2.5	2.0	2.1	7.8	8.3	8.0	8.5	5.0	5.0
Azimuth Beamwidth	Degree	360°	360°	360°	360°	360°	360°	360°	360°	360°	360°	360°
Elevation Beamwidth	Degree	88° ±9°	72° ±8°	66° ±7°	64° ±8°	19° ±2°	17° ±2°	15° ±2°	13° ±2°	33° ±3°	26° ±3°	
Electrical Downtilt	Degree	T0°	T0°	T0°	T0°	T0°	T0°	T0°	T0°	T0°	T0°	T0°
Electrical Downtilt Deviation	Degree <	5°	5°	5°	5°	1.5	1.5	1.5	1.5	3.0	3.0	
Impedance	Ohms	50	50	50	50	50	50	50	50	50	50	50
VSWR	NA <	1.5	1.5	1.5	1.5	1.5	1.5	1.5	1.5	1.5	1.5	1.5
Return Loss	dB >	14	14	14	14	14	14	14	14	14	14	14
Isolation	dB >	25	25	25	25	27	27	27	27	27	22	22
Passive Intermodulation	dBc <	-153	-153	-153	-153	-153	-153	-153	-153	-153	N/A	N/A
Cross Polar Discrimination	dB >	16	16	16	16	10	10	10	10	10	10	10
Maximum Effective Power Per Port	W	100	100	100	100	250	250	250	250	50	1	

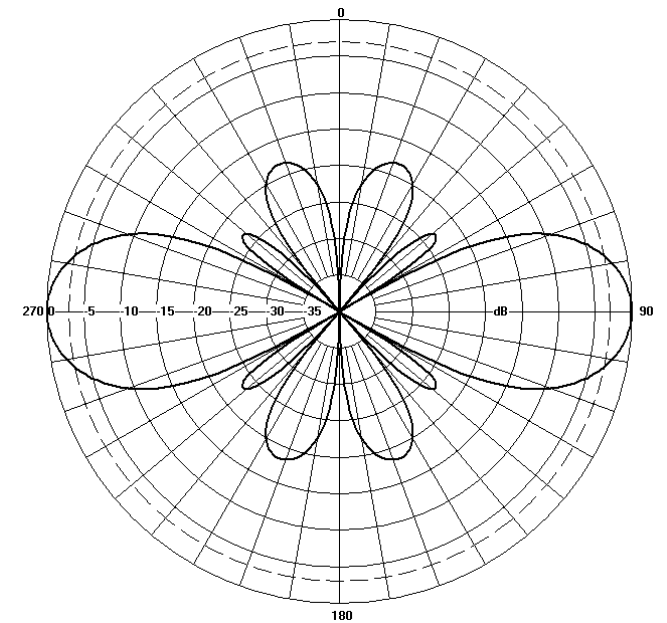
### Representative Pattern Files



Azimuth



1695 - 2690MHz



3.5GHz / 5.5GHz

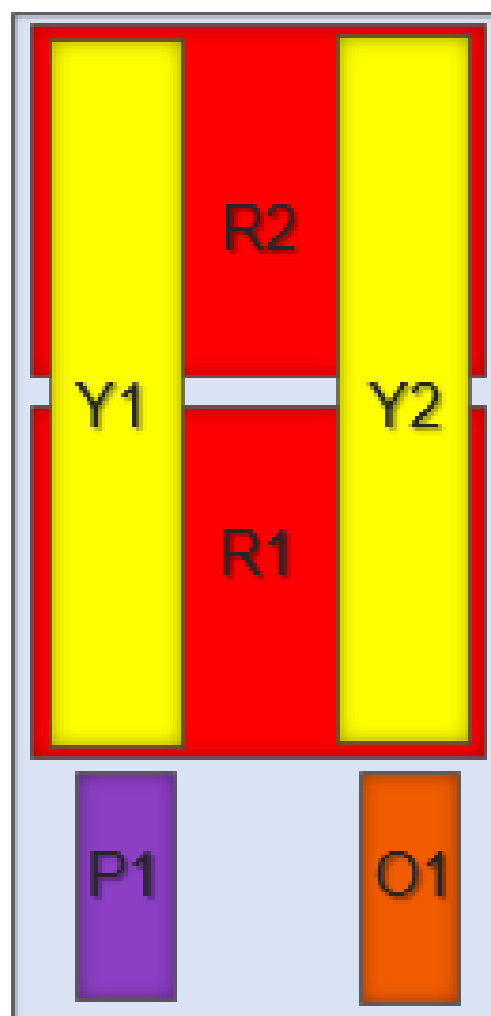
Elevation

## TECHNICAL SPECIFICATION

### Mechanical Specifications

Dimensions	mm (in)	610 (24) x 365 (14.4) - (L x D)
Packing Size (LxWxD)	mm (in)	685 (27) x 447 (17.6) x 447 (17.6)
Net Weight (antenna)	kg (lb)	9.8 (21.6)
Net Weight (mount)	kg (lb)	6.8 (15)
Shipping Weight	kg (lb)	18.1 (40)
Connector Type (Female)	-	4.3-10
Connector Position	-	Bottom
Connector Position Quantity	-	12 (4P Low band, 4P Mid band, 2P High band CBRS & 2P High Band LAA)
Windload Frontal (at Rated Wind Speed: 150km/h)	N (lbf)	180 (40)
Windload Lateral (at Rated Wind Speed: 150km/h)	N (lbf)	180 (40)
Survival Wind Speed	km/h (mph)	200 (125)
Radome Material	-	ASA Capped ABS
Radome Colour	RAL	7035
Product Compliance Environmental	-	RoHS
Lightning Protection	-	DC Grounded
Cold Temperature Survival	Celsius (Fahrenheit)	-40 (-40)
Hot Temperature Survival	Celsius (Fahrenheit)	70 (158)

### Array Layout and RET Information

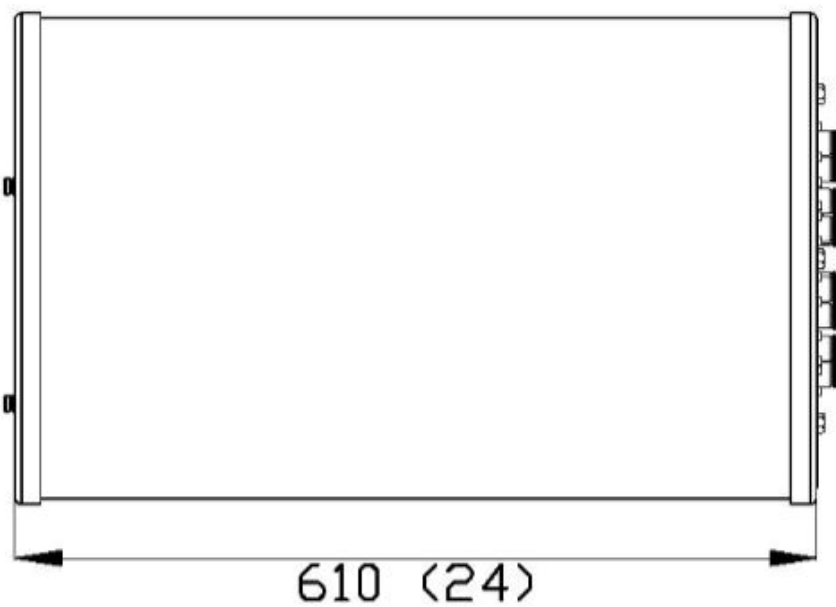
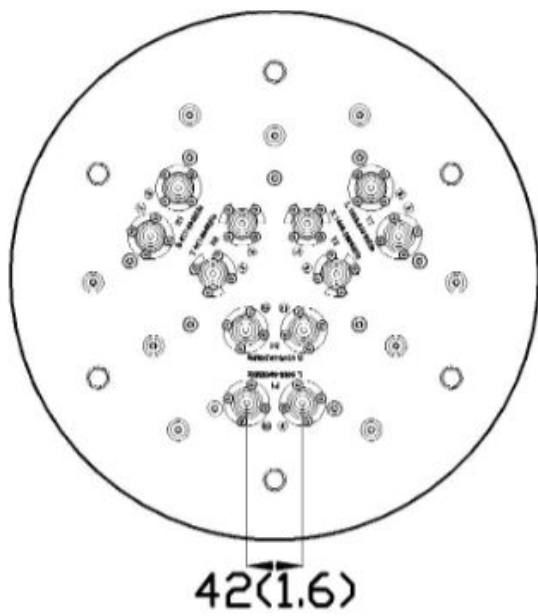
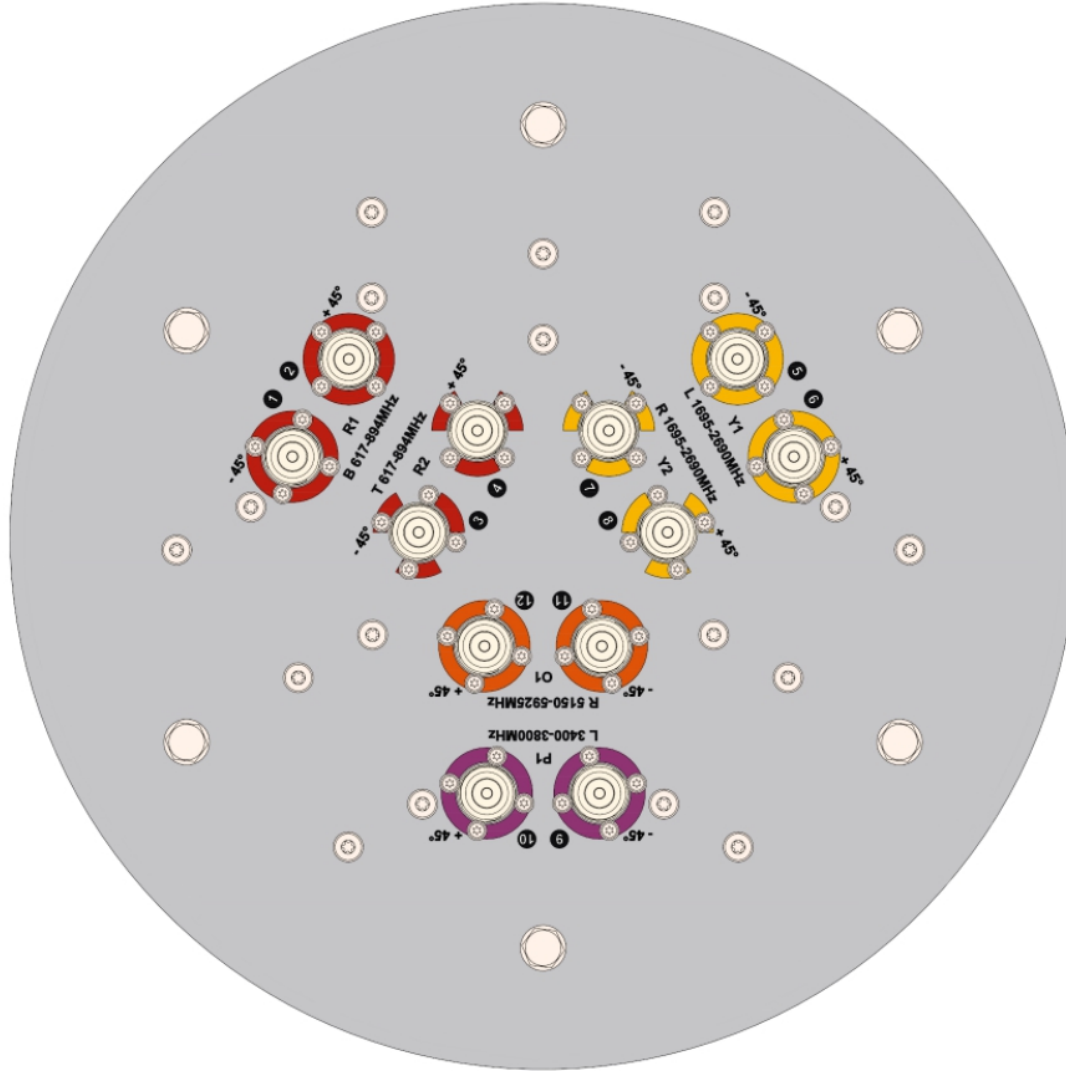


Array	Frequency MHz	Ports
R1	617 - 894	1 - 2
R2	617 - 894	3 - 4
Y1	1695 - 2690	5 - 6
Y2	1695 - 2690	7 - 8
P1	3400 - 3800	9 - 10
O1	5150 - 5925	11 - 12

*Note: Colored box sizes do not represent antenna sizes.*

TECHNICAL SPECIFICATION

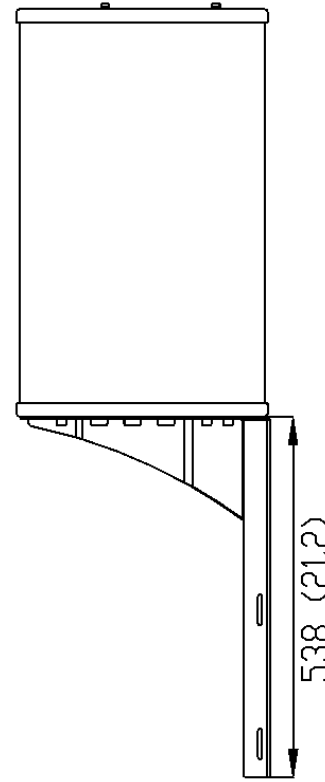
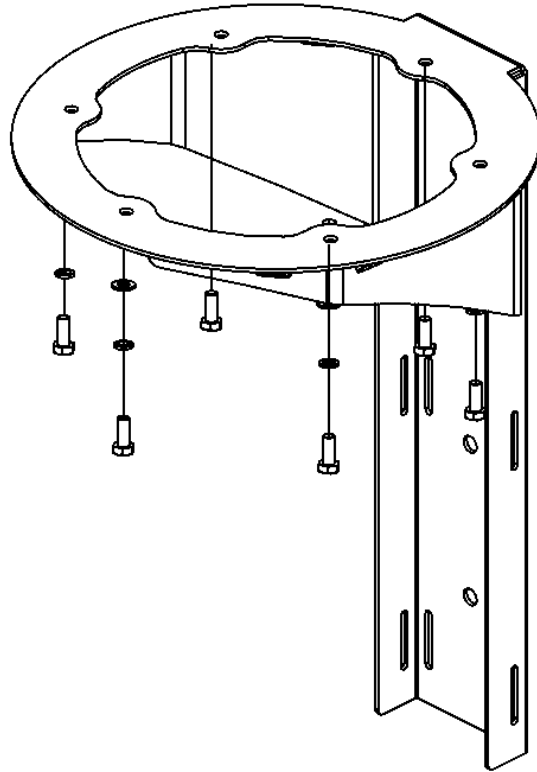
Mechanical Illustration



TECHNICAL SPECIFICATION

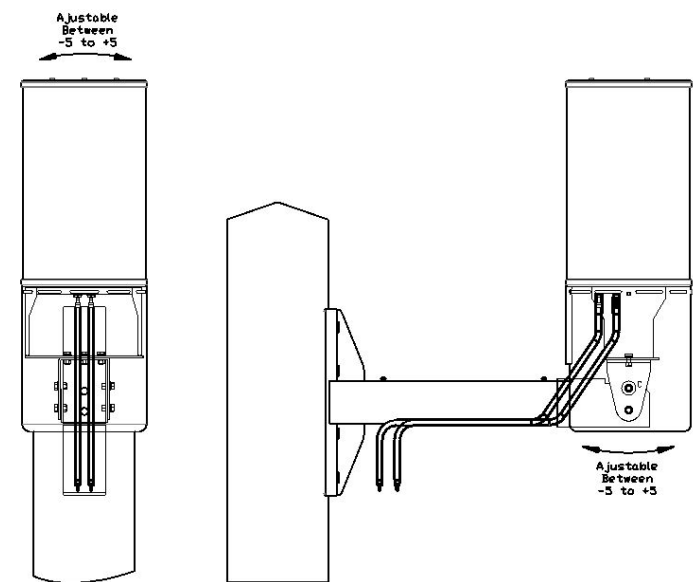
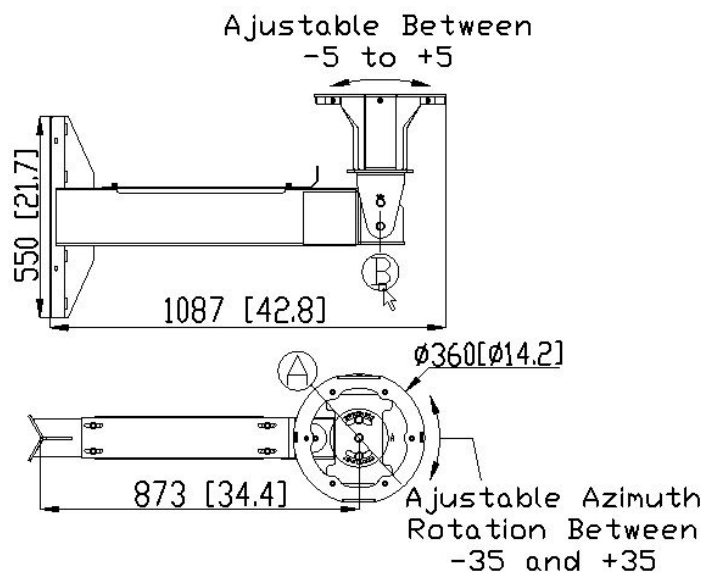
Mounting Bracket Kit

CL-V-159 Mounting kit (This is the default Mounting Bracket unless alternative Mount Kit from accessory list is ordered).



Mounting Kit Tilt Range	Mounting Kit Material	Mounting Kit Pole Diameter
0	Stainless Steel	Metal Band (not supplied) is chosen to suit individual pole diameter.

CL-V-161 Adjustable Side Arm Bracket for 14.4" Canisters



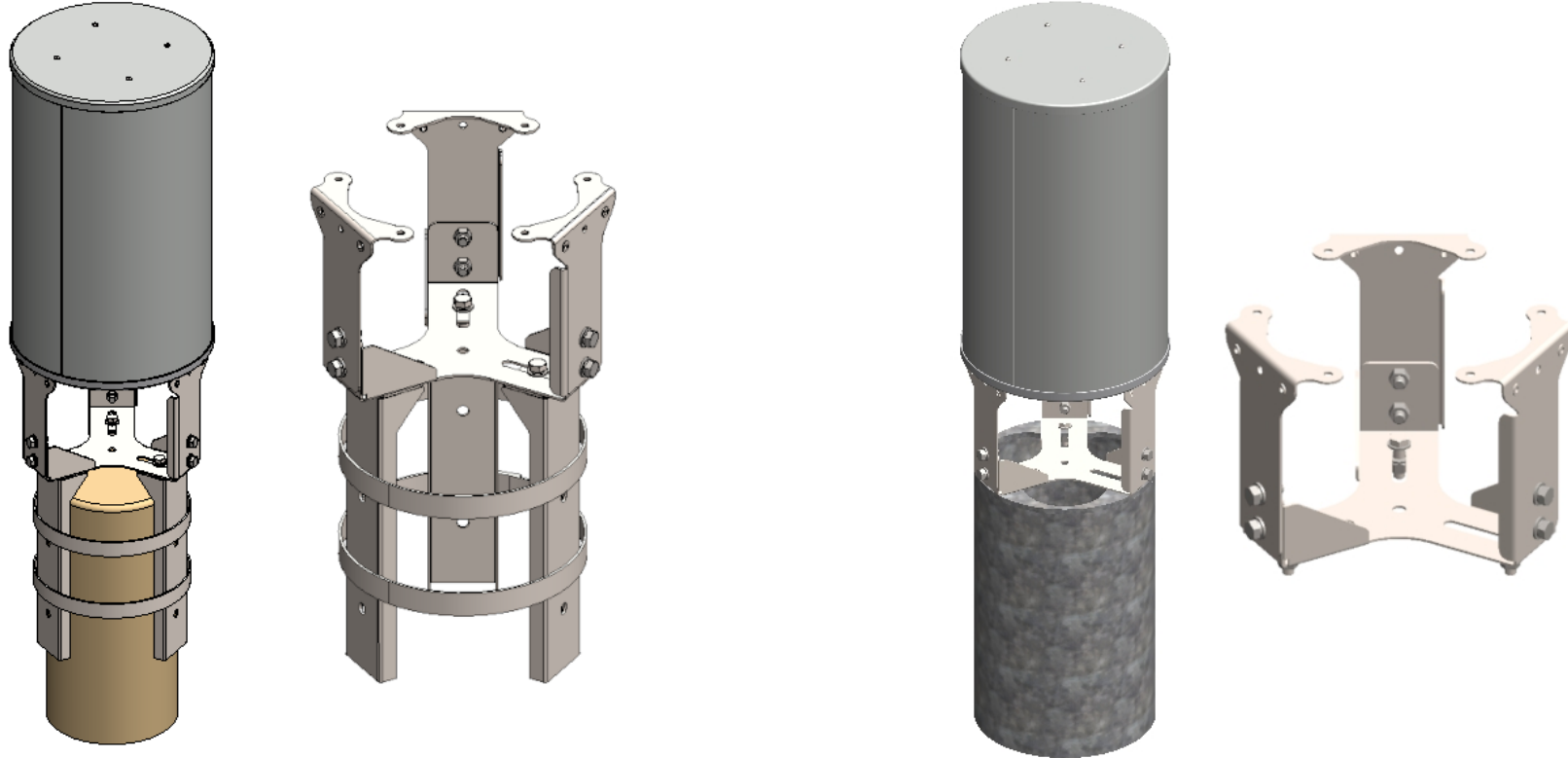
Mounting Kit Tilt Range	Mounting Kit Material	Mounting Kit Material
-5° to +5° / -35° to +35° / -5° to +5°	Stainless Steel	50mm(2") to 241mm(9.5")



## TECHNICAL SPECIFICATION

### Mounting Bracket Kit

CL-V-169 Tri-Leg Mount Kit Bracket for 14.4" Canister (Not included with Antenna, must be ordered separately)



Mounting Kit Tilt Range	Mounting Kit Material	Mounting Kit Pole Diameter
N/A (No Mechanical tilt with Omni's)	Galvanised Steel	89mm (3.5") to 330mm (13")

### Ordering Info

#### Order Code - Antenna

AW3747-T0-F

#### Order Code - Accessories

CL-V-161

CL-V-169

AW1012-2-FM-FM

AW1012-2-FM-NM

AW1014-2-FM-TM

#### Description

Zero degrees Fixed Tilt with 4.3-10 Connectors.

#### Description

Adjustable Side Arm Bracket for 14.4" Canisters

Tri-Leg Pole Top Mounting Bracket for 14.4" Canisters

RF Jumper Cable, connector types 4.3-10 (m) / 4.3-10 (m), length 2 metres (6'6")

RF Jumper Cable, connector types 4.3-10 (m) / N-Type (m), length 2 metres (6'6")

RF Jumper Cable, connector types 4.3-10 (m) / Nex10 (m), length 2 metres (6'6")

## Enquiries

#### Global Headquarters

Ashgrove Business Centre,  
Ballybrittas, Portlaoise,  
R32 DT0A IRELAND  
[sales@alphawireless.com](mailto:sales@alphawireless.com)  
+353 57 86 33847

#### North America

7301 W. 129th Street, Suite 150,  
Overland Park,  
KS 66213, USA  
[sales@alphawireless.com](mailto:sales@alphawireless.com)  
+1 913 279 0008

#### Australia

3/76 Regentville Rd,  
Jamisontown,  
NSW 2750, AUSTRALIA  
[sales@alphawireless.com](mailto:sales@alphawireless.com)  
+ 61 2 4504 8212

### DISCLAIMER

The information in this document is provided solely regarding Alpha Wireless products. The information is not a guarantee of performance or characteristics. Alpha Wireless reserves the right to modify, change, amend, improve or make corrections to this document and its products, at any time and its sole discretion without prior written consent or notice. No license to any intellectual property rights is granted or implied under this document. Alpha Wireless disclaims warranties and liabilities of any kind including non-infringement of intellectual property rights of any third party.