



# DATASHEET

## AW3821-T0-F

Common Name- 2 Port, 1.3M, Band 28, Small Cell Omni

703-803MHz	2	Fixed	7.7	360°
Frequency	Ports	Tilt	Gain	Beamwidth

### PRODUCT INFORMATION

This product was developed to offer a small form factor solution for the 800MHz LTE applications. The compact size is intended to minimize planning requirements.

### APPLICATION

Alpha Wireless pseudo omni provides 360° coverage whilst in an ultra-compact radome design. The low-band antenna is designed to be installed in environment's where low visual impact is required. The 2 Port antenna provides 2x2 MIMO.

### STANDARD & CERTIFICATIONS

Certification	BS EN ISO 9001:2015
---------------	---------------------



### FEATURES

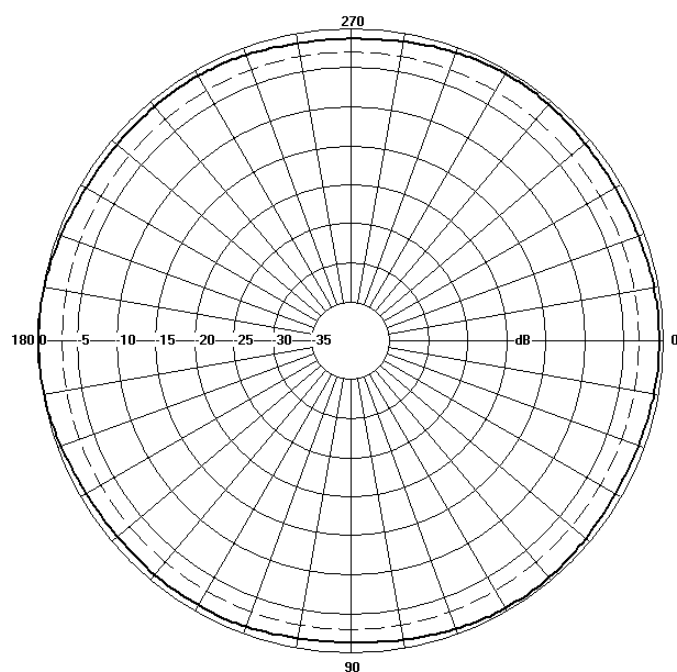
- Band 28 - Low band antenna
- Compact design for small cell deployment - low visual impact.
- Optimized Pseudo omni with reduced azimuth ripple.
- Slim monopole design to reduce wind loading.

*The parameters in this specification follow the definitions and recommendations per NGMN P-Basta, Release 9.6.*

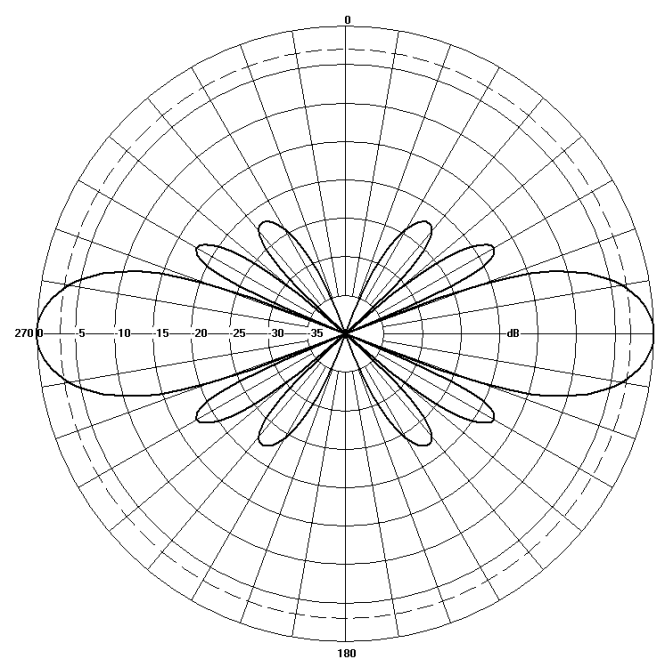
## TECHNICAL SPECIFICATION

Electrical Specifications			
Frequency Range	MHz	703-803	
Polarisation	Degree	+/- 45° Slant Linear	
Gain	Basta	dBi	7.2±0.5
	Max	dBi	7.7
Azimuth Beamwidth	Degree	360°	
Elevation Beamwidth	Degree	18°	
Electrical Downtilt	Degree	T0°	
Electrical Downtilt Deviation	Degree<	1°	
Impedance	Ohms	50	
VSWR	<	1.5	
Return Loss	dB>	14	
Isolation	dB>	25	
Upper Sidelobe Suppression, Peak to 20°	dB>	15	
Cross-Polar Discrimination	dB>	10	
Maximum Effective Power Per Port	W	150	

## Radiation Pattern Files



Azimuth



Elevation

For radiation pattern files, please login at [www.alphawireless.com](http://www.alphawireless.com)



## TECHNICAL SPECIFICATION

## Mechanical Specifications

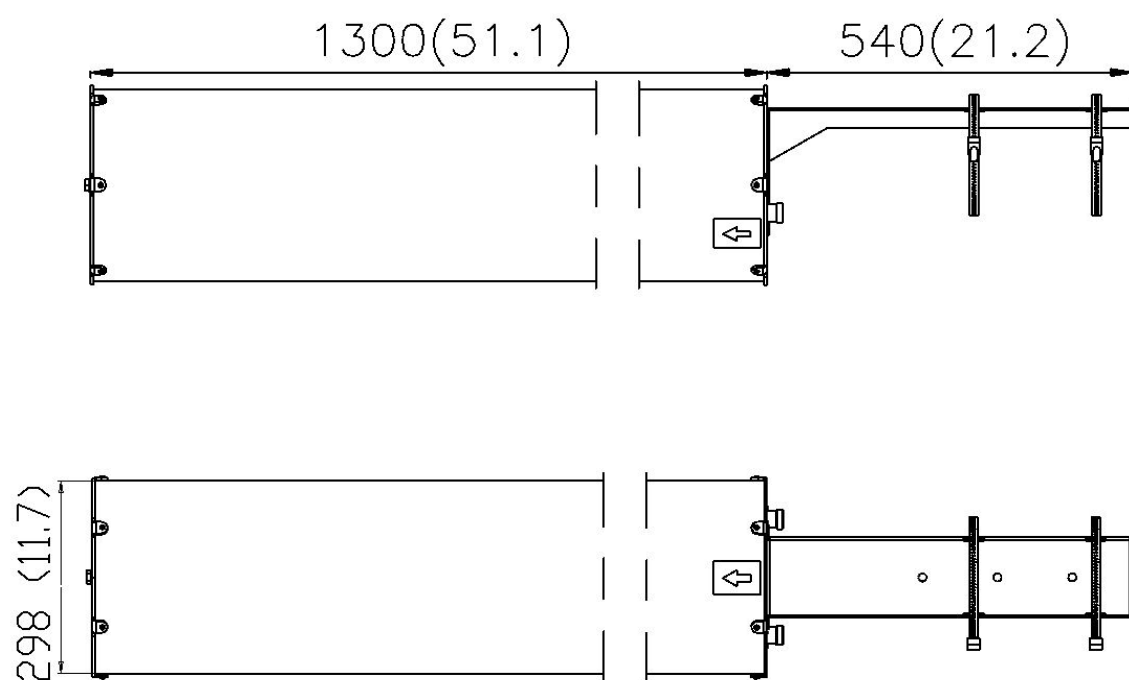
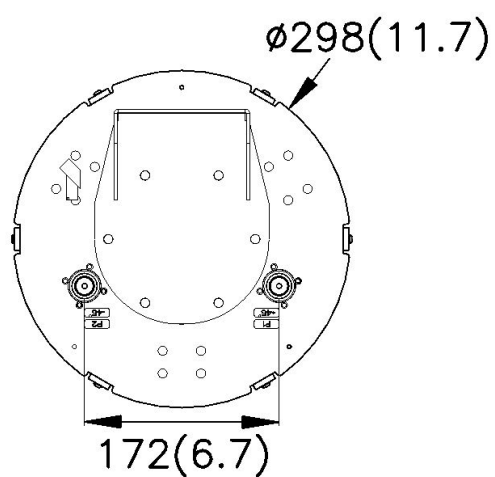
Dimensions	mm (in)	1300 (51.1) x 298 (11.7) - (L x Ø)
Packing Size (LxWxD)	mm (in)	1450 (46) x 351 (13.8) x 351 (13.8)
Net Weight (antenna)	kg (lb)	13 (29)
Net Weight (mount)	kg (lb)	1.5 (3.3)
Shipping Weight	kg (lb)	14.5 (32)
Connector Type (Female)	-	4.3-10
Connector Quantity	-	2
Connector Position	-	Bottom
Windload Frontal (at Rated Wind Speed: 150km/h)	N (lbf)	400 (90)
Windload Lateral (at Rated Wind Speed: 150km/h)	N (lbf)	400 (90)
Survival Wind Speed	km/h (mph)	200 (125)
Radome Material	-	UV-Stabilized PVC
Radome Colour	RAL	7035
Product Compliance Environmental	-	RoHS
Lightning Protection	-	DC Grounded
Cold Temperature Survival	°C (°F)	-40 (-40)
Hot Temperature Survival	°C (°F)	70 (158)



# AW3821-T0-F

## Mechanical Illustration

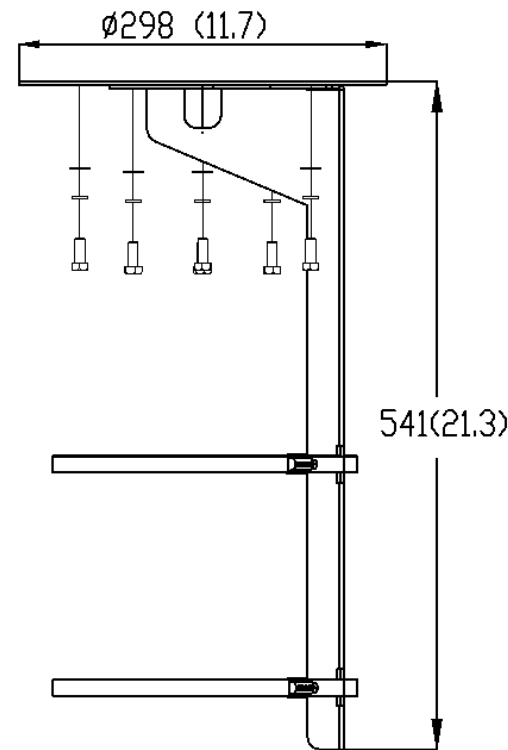
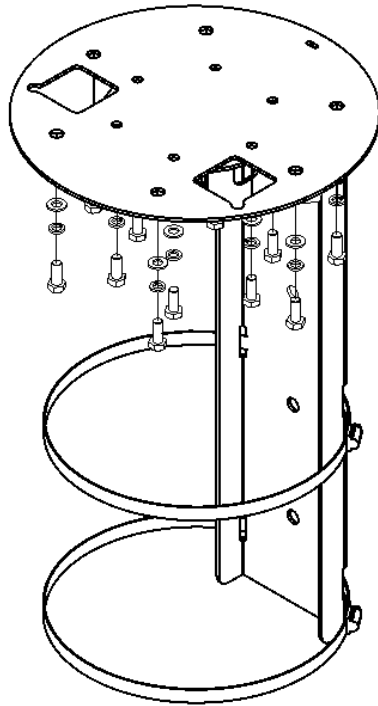
All measurements are in mm (in)





**TECHNICAL SPECIFICATION**  
**Mounting Bracket Kit**

CL-V-166 (Mounting Kit included with Antenna)



Mounting Kit Tilt Range	Mounting Kit Material	Mounting Kit Pole Diameter
N/A	Stainless Steel	152mm-254mm (6" to 10")

**Ordering Info**

**Order Code - Antenna**

AW3821-T0-F

**Description**

Zero Degrees Fixed Tilt with 4.3-10 Connectors

**Order Code - Accessories**

AW1012-2-FM-FM

**Description**

RF Jumper Cable, connector types 4.3-10 (m) / 4.3-10 (m), length 2 metres (6'6")

AW1012-2-FM-NM

RF Jumper Cable, connector types 4.3-10 (m) / N-Type (m), length 2 metres (6'6")

AW1014-2-FM-TM

RF Jumper Cable, connector types 4.3-10 (m) / Nex10 (m), length 2 metres (6'6")

**Enquiries**

**Ireland**

Ashgrove Business Centre,  
 Ballybrittas, Portlaoise, Ireland  
 Post code: R32 DT0A  
[sales@alphawireless.com](mailto:sales@alphawireless.com)  
 +353 57 86 33847

**USA**

11322 W 79th St, Lenexa, KS  
 66214, USA  
[sales@alphawireless.com](mailto:sales@alphawireless.com)  
 +1 913 279 0008



**DISCLAIMER**

The information in this document is provided solely regarding Alpha Wireless products. The information is not a guarantee of performance or characteristics. Alpha Wireless reserves the right to modify, change, amend, improve or make corrections to this document and its products, at any time and its sole discretion without prior written consent or notice. No license to any intellectual property rights is granted or implied under this document. Alpha Wireless disclaims warranties and liabilities of any kind including non-infringement of intellectual property rights of any third party.

© Alpha Wireless Limited 2014

**Alpha Wireless**