



Common Name 4 Port, 26", (13.0dBi) Omni Canister

3300-4200MHz	4	Fixed	13.5	360°
Frequency	Ports	Tilt	Gain	Beamwidth

PRODUCT INFORMATION

This is a four port Pseudo-Omni antenna covering 3300-4200MHz in a 14.6" diameter canister housing. This enables 4x4 MIMO in an Omni antenna.

APPLICATION

Designed for high capacity CBRS sites where high gain is important.

STANDARD & CERTIFICATIONS

Certification	BS EN ISO 9001:2015
---------------	---------------------



FEATURES

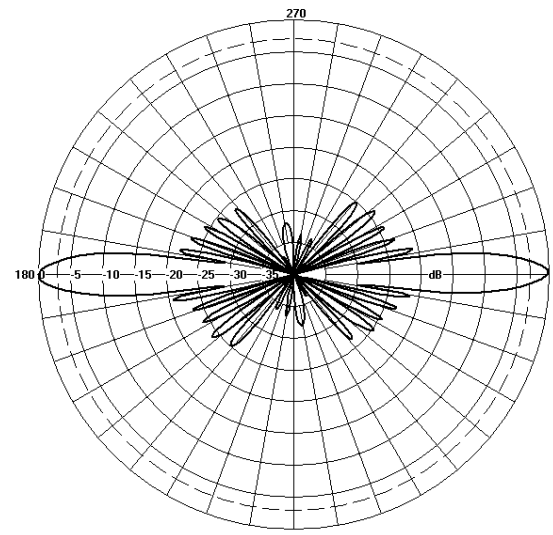
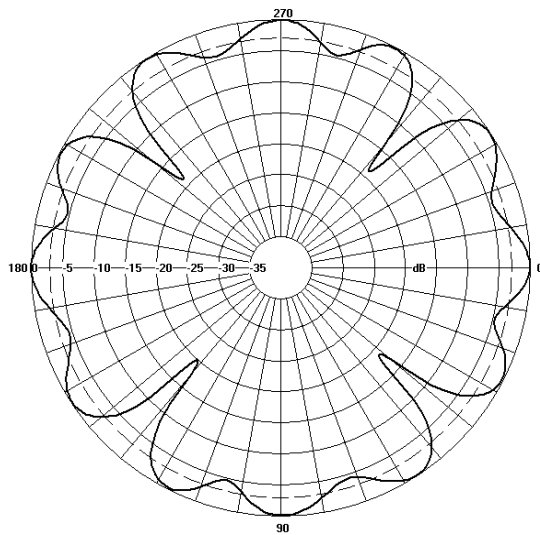
- Compact design - Low visual impact.
- 4 Port Pseudo Omni design.
- This enables 4x4 MIMO in an Omni antenna.
- High Gain of 13.5 dBi

The parameters in this specification follow the definitions and recommendations per NGMN P-Basta, Release 9.6.

TECHNICAL SPECIFICATION

Electrical Specifications						
Frequency Range	MHz		3300-3600	3600-3800	3800-4000	4000-4200
Polarisation	Degree		+/-45°			
Gain	Basta	dBi	12.6 ±0.5	12.7 ±0.5	12.9 ±0.5	13.0 ±0.5
	Max	dBi	13.1	13.2	13.4	13.5
Azimuth Beamwidth	Degree		360°	360°	360°	360°
Elevation Beamwidth	Degree		7.6°	6.8°	6.5°	6.2°
Electrical Downtilt	Degree		T0°			
Electrical Downtilt Deviation	Degree<		1°			
Impedance	Ohms		50			
VSWR	<		1.5			
Return Loss	dB>		14			
Isolation Network to Network	dB>		N/A			
Isolation	dB>					
Isolation	Intraband	dB>	25			
	Interband	dB	N/A			
Passive Intermodulation	dBc<		145			
Upper Sidelobe Suppression, Peak to 20°	dB>		15			
Cross-Polar Discrimination	dB>		Typ: 10			
Maximum Effective Power Per Port	W		50			

Representative Pattern Files



Azimuth

Elevation

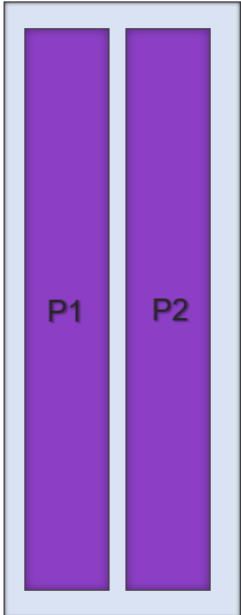
For radiation pattern files, please login at www.alphawireless.com

TECHNICAL SPECIFICATION

Mechanical Specifications		
Dimensions	mm (in)	660.5 (26) x 370.8 (14.6) - (L x Ø)
Packing Size (LxWxD)	mm (in)	735 (28.9) x 447 (17.6) x 447 (17.6)
Net Weight (antenna)	kg (lb)	7.4 (16.3)
Shipping Weight	kg (lb)	8.1 (17.8)
Connector Type (Female)	-	4.3-10
Connector Position	-	Bottom
Connector Quantity	-	4
Windload Frontal (at Rated Wind Speed: 150km/h)	N (lbf)	200 (48)
Windload Lateral (at Rated Wind Speed: 150km/h)	N (lbf)	200 (48)
Survival Wind Speed	km/h (mph)	200 (125)
Radome Material	-	ASA capped ABS
Radome Colour	RAL	7035
Product Compliance Environmental	-	RoHS
Lightning Protection	-	DC Grounded
Cold Temperature Survival	Celsius (Fahrenheit)	-40 (-40)
Hot Temperature Survival	Celsius (Fahrenheit)	70 (158)

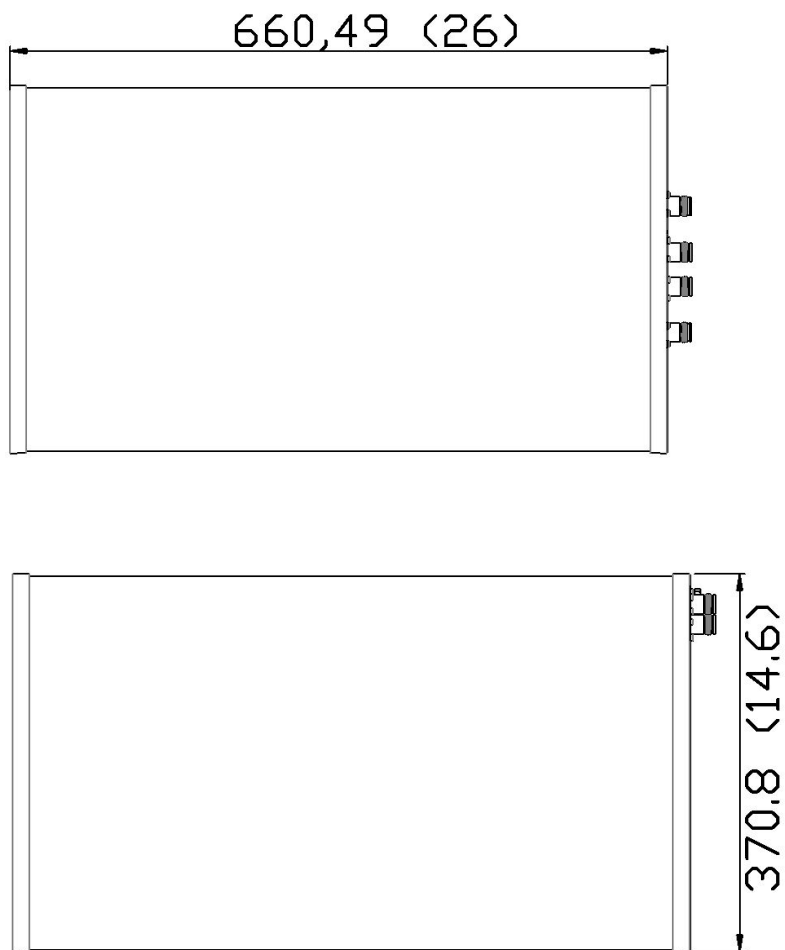
Array Layout and RET Information

Array	Frequency MHz	Ports	MET ID
P1	3300 - 4200	1 - 2	1
P2	3300 - 4200	3 - 4	1

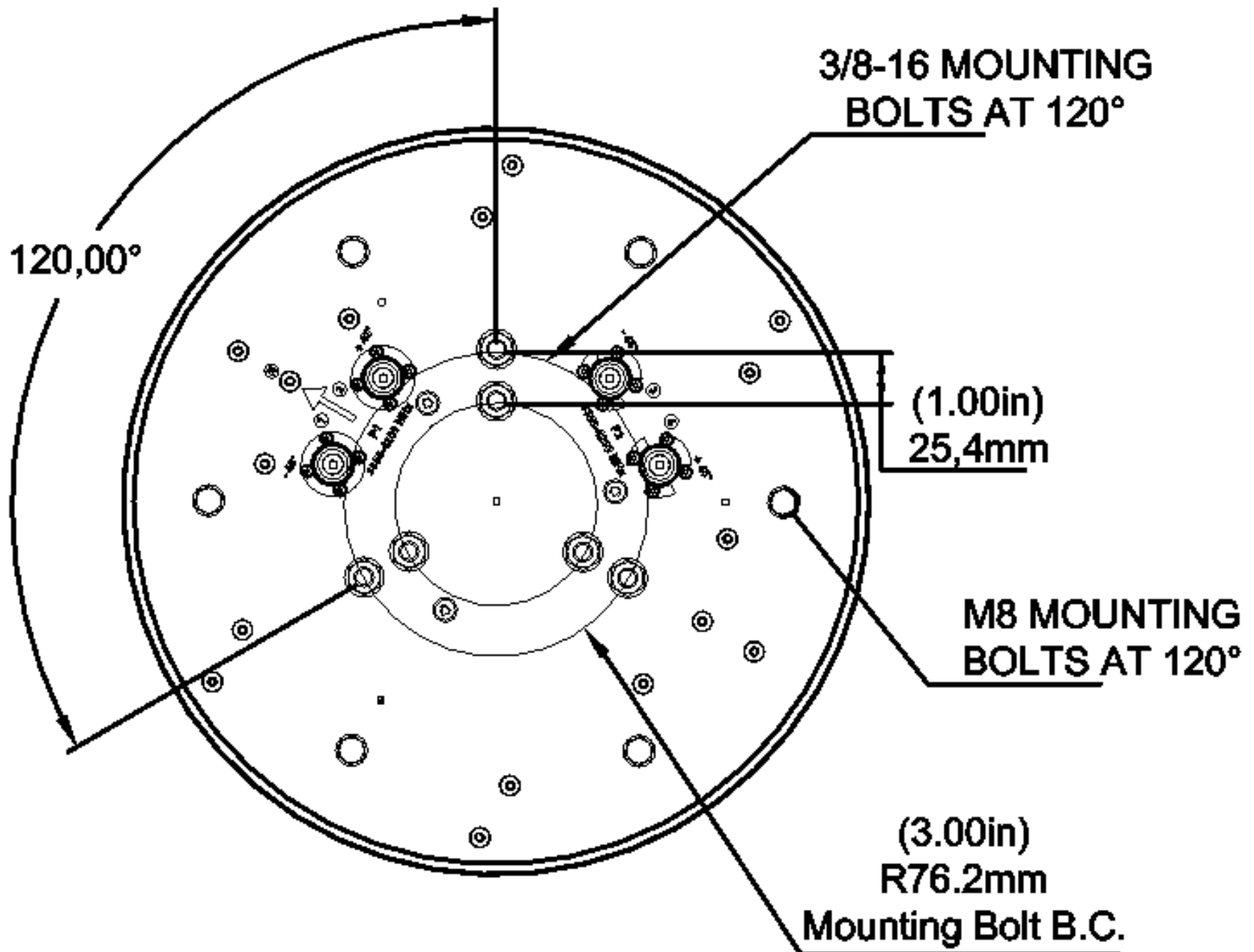


Array layout depicts one individual sector.
Note: Coloured box sizes do not represent antenna sizes.

Mechanical Illustration



TECHNICAL SPECIFICATION

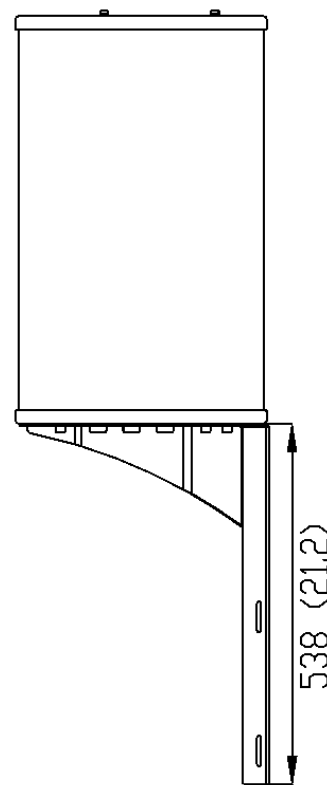
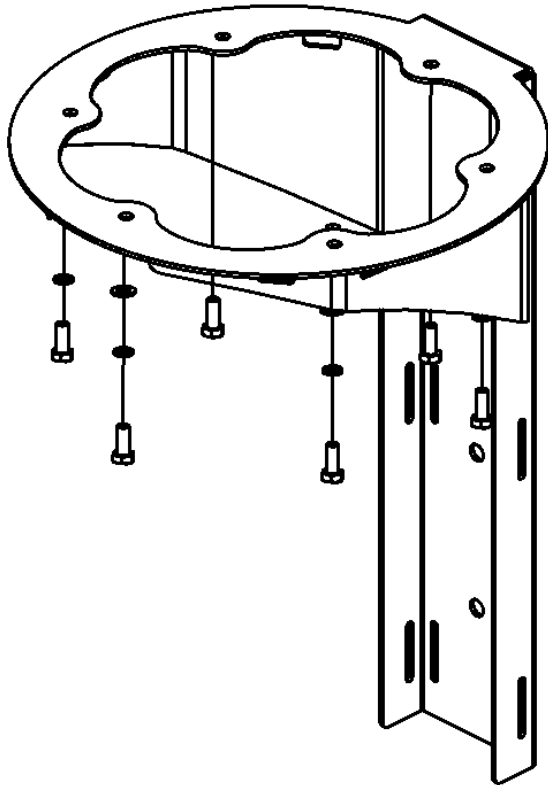


Six Bolt-Three Leg Antenna Mount Interface

TECHNICAL SPECIFICATION

Mounting Bracket Kit

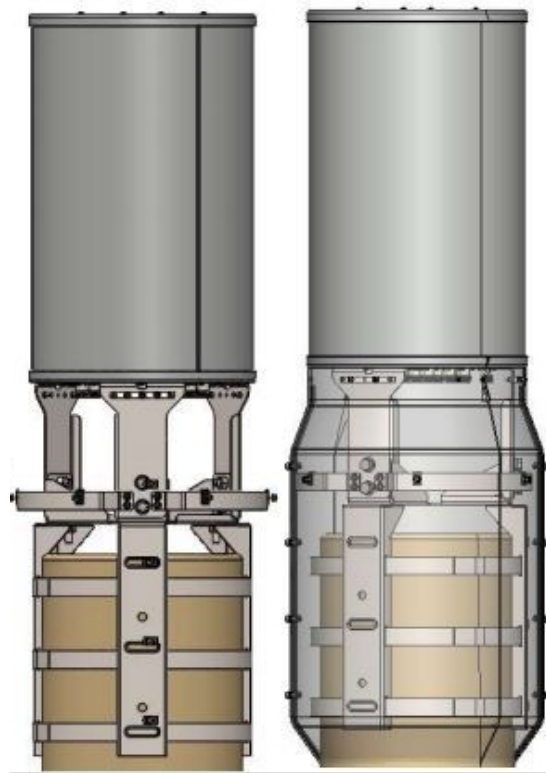
CL-V-159 (Mounting Kit Included with Antenna)



Mounting Kit Tilt Range	Mounting Kit Material	Mounting Kit Pole Diameter
N/A	Stainless Steel	80-330mm (3.5" - 13.0")

Mounting Bracket Kit

CL-V-169 Tri-Leg Pole Top Mounting Bracket for 14.4" (CL-V-169 is not included with antenna and must be ordered separately)



Mounting Kit Tilt Range	Mounting Kit Material	Mounting Kit Pole Diameter
N/A	Stainless Steel	80-330mm (3.5" - 13.0")

Ordering Info**Order Code - Antenna**

AW3825-T0-F-DB

Order Code - Accessories

AW1012-2-FM-FM

AW1012-2-FM-NM

AW1014-2-FM-TM

Description

Zero degrees Fixed Tilt with 4.3-10. CL-V-159 Mount Bracket included

Description

RF Jumper Cable, connector types 4.3-10 (m) / 4.3-10 (m), length 2 metres (6'6")

RF Jumper Cable, connector types 4.3-10 (m) / N-Type (m), length 2 metres (6'6")

RF Jumper Cable, connector types 4.3-10 (m) / Nex10 (m), length 2 metres (6'6")

Enquiries**Global Headquarters**Ashgrove Business Centre,
Ballybrittas, Portlaoise,
R32 DT0A, IRELAND
sales@alphawireless.com
+353 57 86 33847**North America**7301 W. 129th Street, Suite 150,
Overland Park,
KS 66213, USA
sales@alphawireless.com
+1 913 279 0008**Australia**3/76 Regentville Rd,
Jamisontown,
NSW 2750, AUSTRALIA
sales@alphawireless.com
+ 61 2 4504 8212**DISCLAIMER**

The information in this document is provided solely regarding Alpha Wireless products. The information is not a guarantee of performance or characteristics. Alpha Wireless reserves the right to modify, change, amend, improve or make corrections to this document and its products, at any time and its sole discretion without prior written consent or notice. No license to any intellectual property rights is granted or implied under this document. Alpha Wireless disclaims warranties and liabilities of any kind including non-infringement of intellectual property rights of any third party.

© Alpha Wireless Limited 2022