



DATASHEET

AW3826-T0-F

Common Name- 2 Port, 8", Band 41 , 42, 43 & 48 - 360° Omni

2496-2690MHz	2	Fixed	5.5	360°
3300-4200MHz	2	Fixed	7.0	360°
Frequency	Ports	Tilt	Gain	Beamwidth

PRODUCT INFORMATION

The AW3826 is an omni-directional two port antenna in a compact housing measuring 8" long and 4.5" diameter. It has fixed electrical tilt and +/- 45° Cross Polarisation.

APPLICATION

The AW3826 was designed as a compact and discrete antenna. The AW3826 is similar in design to the AW3776 but is to be mounted in the opposite orientation than AW3776.

The AW3826 must be mounted with the radome above the connector plate as the drain holes are located in the connector plate.

The AW3776 must be mounted with the radome located below the connector plate as the drain holes are located in the radome.



STANDARD & CERTIFICATIONS

Certification	BS EN ISO 9001:2015
---------------	---------------------



FEATURES

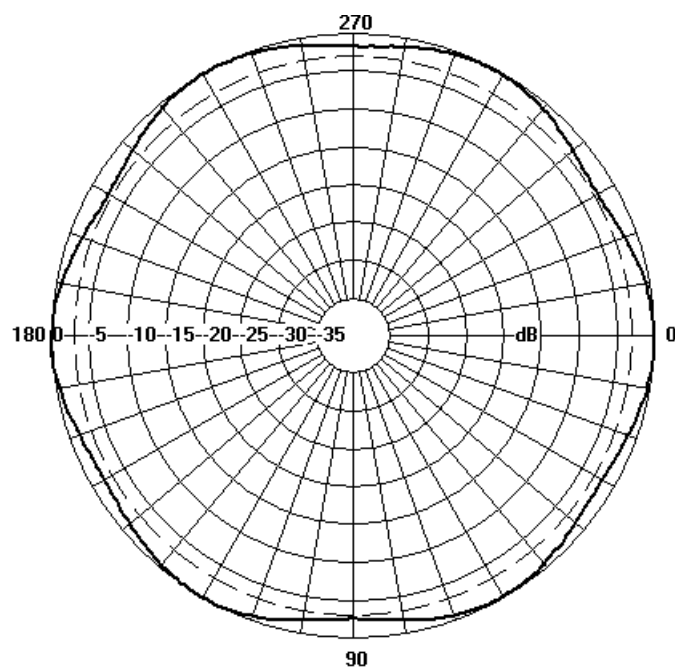
- Wide Band antenna covering multiple bands between 2.5 - 4.2GHz
- Designed for Strand Mount Application
- Manufactured in Ireland.

The parameters in this specification follow the definitions and recommendations per NGMN P-Basta, Release 9.6.

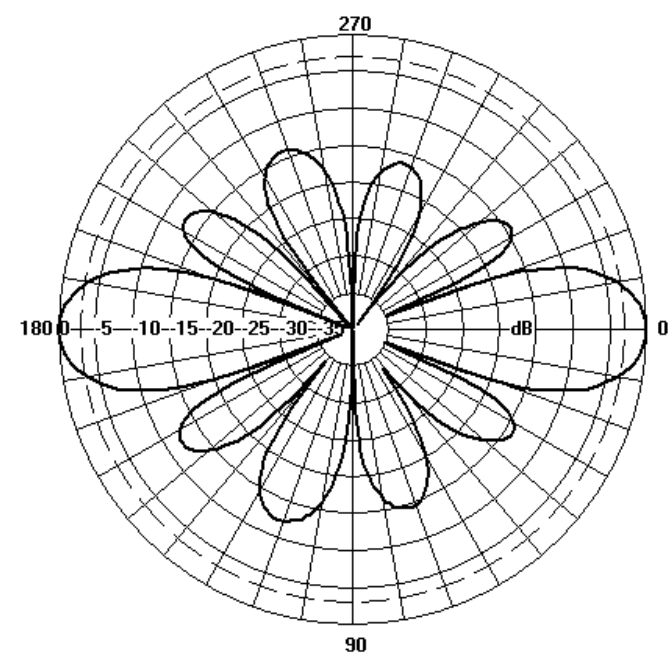
TECHNICAL SPECIFICATION

Electrical Specifications				
Frequency Range		MHz	2496 - 2690	3300 - 4200
Polarisation		Degree	+/- 45° Slant Linear	
Gain	Basta	dBi	5.0±0.5	6.5±0.5
	Max	dBi	5.5	7.0
Azimuth Beamwidth		Degree	360	
Elevation Beamwidth		Degree	33°	25°
Electrical Downtilt		Degree	T0°	
Electrical Downtilt Deviation		Degree<	3°	
Impedance		Ohms	50	
VSWR		<	1.5	
Return Loss		dB>	14	
Isolation		dB>	22	
Passive Intermodulation		dBc<	150	
Upper Sidelobe Suppression, Peak to 20°		dB>	n/a	
Cross-Polar Discrimination		dB>	8	
Maximum Effective Power Per Port		W	50	

Representative Pattern Files



Azimuth



Elevation

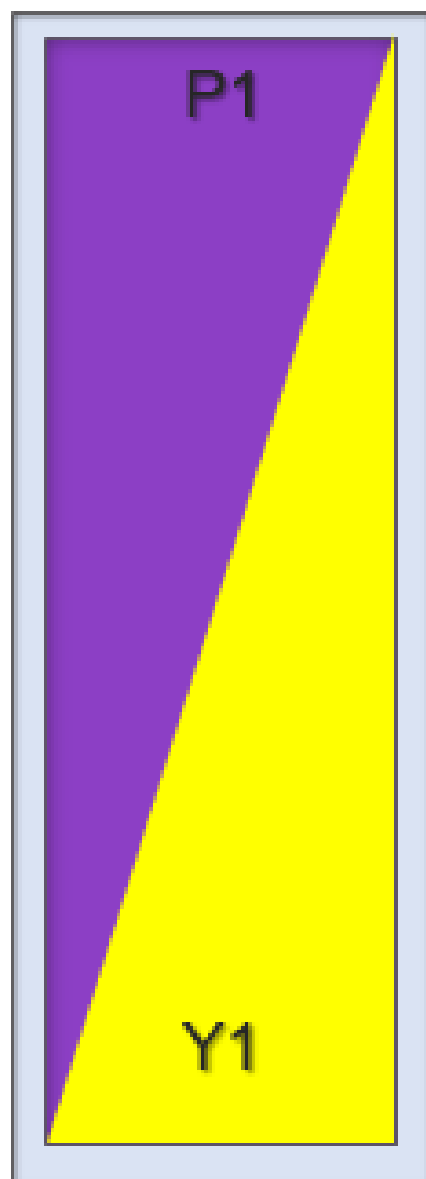
For radiation pattern files, please login at www.alphawireless.com

TECHNICAL SPECIFICATION

Mechanical Specifications

Dimensions	mm (in)	201 (8.2) x 116 (4.5) - (LxØ)
Packing Size (LxWxD)	mm (in)	350 (13.7) x 180 (7.1) x 180 (7.1)
Net Weight (antenna)	kg (lb)	0.9 (2.0)
Net Weight (mount)	kg (lb)	1.0 (2.2)
Shipping Weight	kg (lb)	5.0 (11.0)
Connector Type (Female)	-	4.3-10
Connector Quantity	-	2
Connector Position	-	Top or Bottom
Windload Frontal (at Rated Wind Speed: 150km/h)	N (lbf)	20 (4.5)
Windload Lateral (at Rated Wind Speed: 150km/h)	N (lbf)	20 (4.5)
Survival Wind Speed	km/h (mph)	200 (125)
Radome Material	-	ASA Capped ABS
Radome Colour	RAL	9010
Product Compliance Environmental	-	RoHS
Lightning Protection	-	DC Grounded
Cold Temperature Survival	°C (°F)	-40 (-40)
Hot Temperature Survival	°C (°F)	70 (158)

Array Layout and RET Information



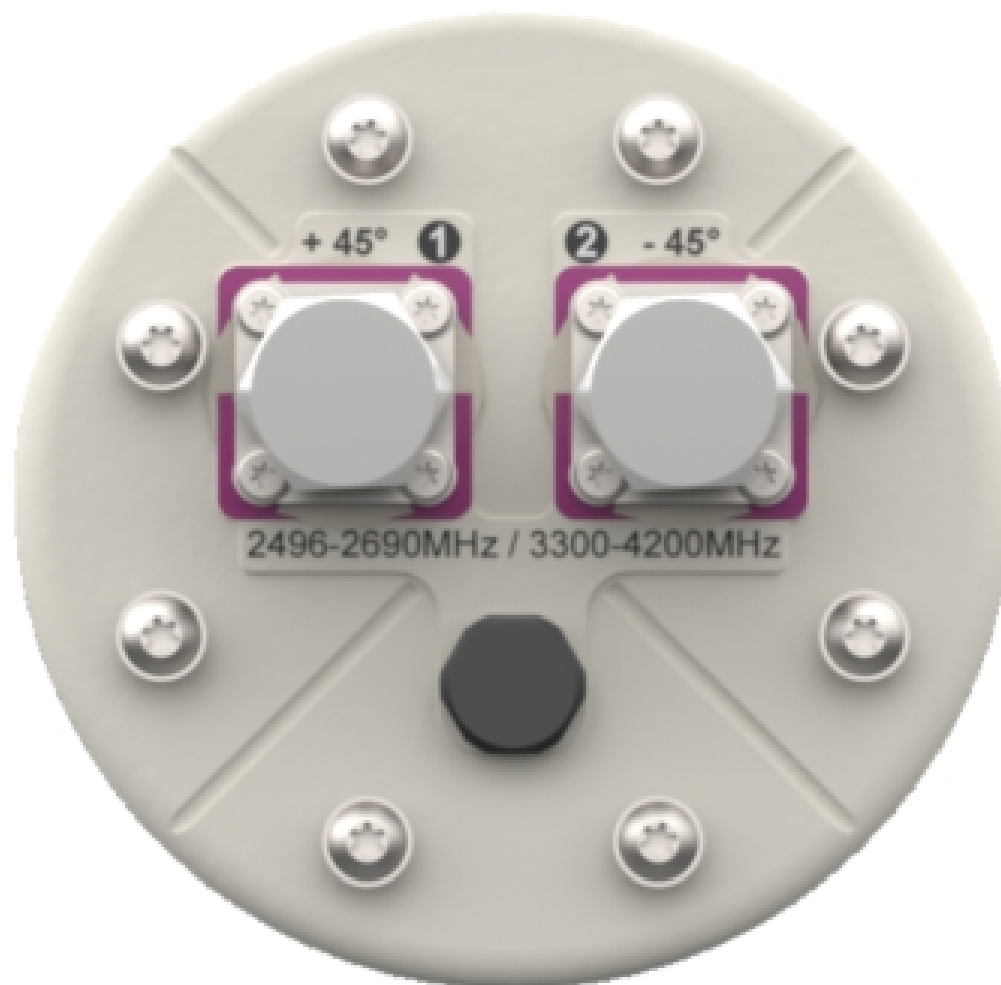
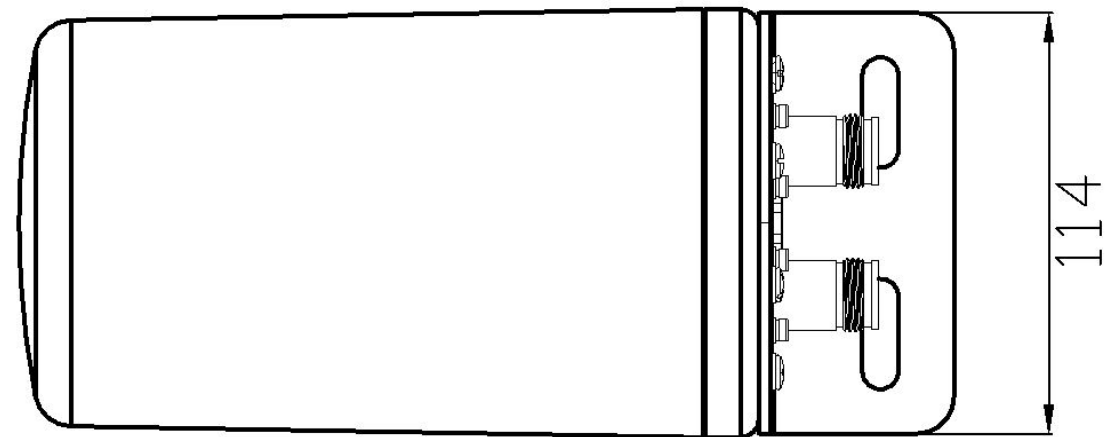
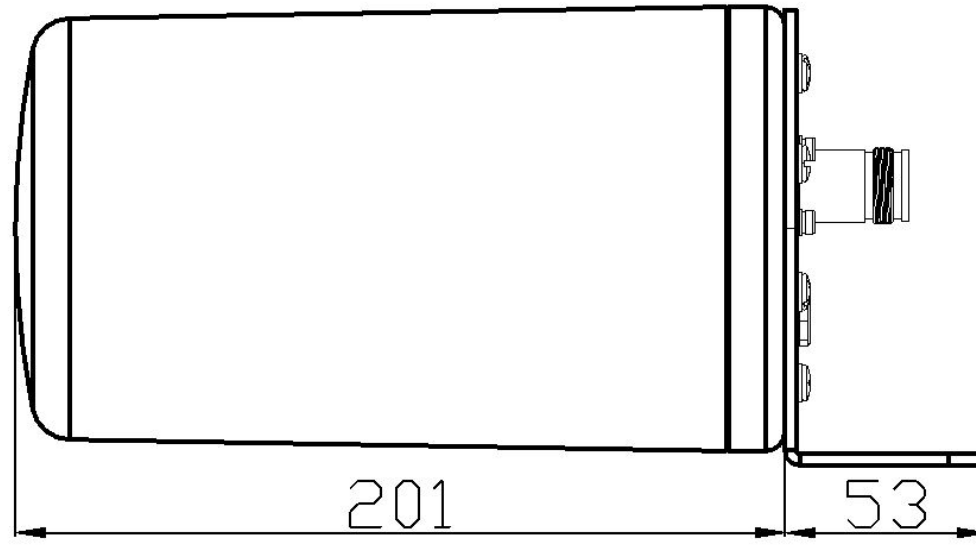
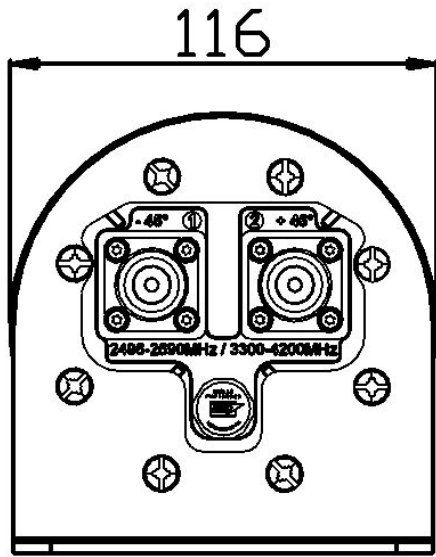
Array	Frequency MHz	Ports
Y1	2496 - 2690	1-2
P1	3300 - 4200	1-2

Note: Coloured box sizes do not represent antenna sizes.

TECHNICAL SPECIFICATION

Mechanical Illustration

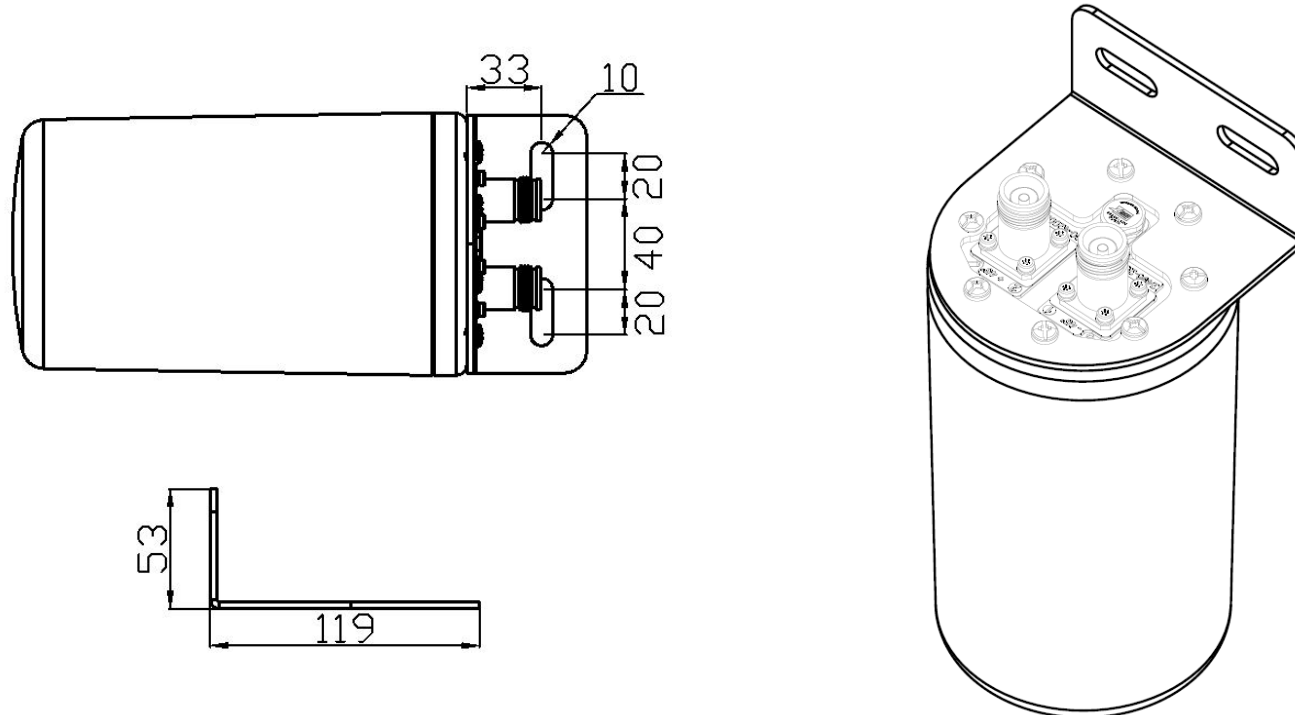
All measurements are in mm (in)



TECHNICAL SPECIFICATION

Mounting Bracket Kit

CL-V-162 Stubby Antenna Bracket (Mount Kit included with antenna)



Mounting Kit Tilt Range

0°

Mounting Kit Material

Stainless Steel

Mounting Kit Pole Diameter

n/a

Ordering Info

Order Code - Antenna

AW3826-T0-F

Description

Zero Degrees Fixed Tilt with 4.3-10 Connectors.
Must be mounted with connectors located below radome.

AW3776-T0-F

Zero Degrees Fixed Tilt with 4.3-10 Connectors.
Must be mounted with connectors located above the radome.

Description

AW1012-2-FM-FM

Order Code - Antenna

RF Jumper Cable, connector types 4.3-10 (m) / 4.3-10 (m), length 2 metres (6'6")

AW1012-2-FM-NM

RF Jumper Cable, connector types 4.3-10 (m) / N-Type (m), length 2 metres (6'6")

AW1014-2-FM-TM

RF Jumper Cable, connector types 4.3-10 (m) / Nex10 (m), length 2 metres (6'6")

Enquiries

Global Headquarters

Ashgrove Business Centre,
Ballybrittas, Portlaoise,
R32 D0TA, IRELAND
sales@alphawireless.com
+353 57 86 33847

North America

7301 W. 129th Street, Suite 150,
Overland Park,
KS 66213, USA
sales@alphawireless.com
+1 913 279 0008

Australia

3/76 Regentville Rd,
Jamisontown,
NSW 2750, AUSTRALIA
sales@alphawireless.com
+ 61 2 4504 8212

DISCLAIMER

The information in this document is provided solely regarding Alpha Wireless products. The information is not a guarantee of performance or characteristics. Alpha Wireless reserves the right to modify, change, amend, improve or make corrections to this document and its products, at any time and its sole discretion without prior written consent or notice. No license to any intellectual property rights is granted or implied under this document. Alpha Wireless disclaims warranties and liabilities of any kind including non-infringement of intellectual property rights of any third party.