



DATASHEET

AW3873-T0-F

Common Name- 8 Port - Fixed Tilt - Panel - 50°

1695-2170MHz	4	Fixed	10.5	50°
3400-3800MHz	4	Fixed	10.5	50°
Frequency	Ports	Tilt	Gain	Beamwidth

PRODUCT INFORMATION

This solution was developed to increase capacity effectiveness in stadiums, venues and macro hot spot applications. It provides 4 ports across 1695-2170MHz and 4 ports across 3400-3800MHz.

APPLICATION

Special Application antennas are used for providing focused signal in high gain, narrow beam targeted applications.

STANDARD & CERTIFICATIONS

Certification	BS EN ISO 9001:2015
---------------	---------------------



FEATURES

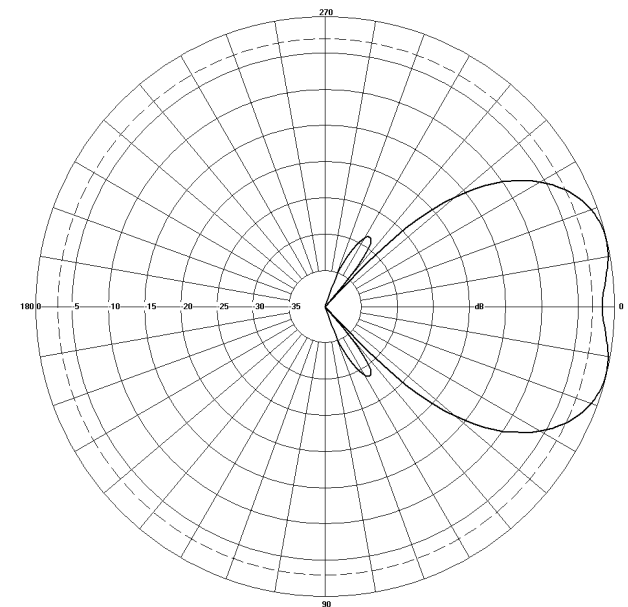
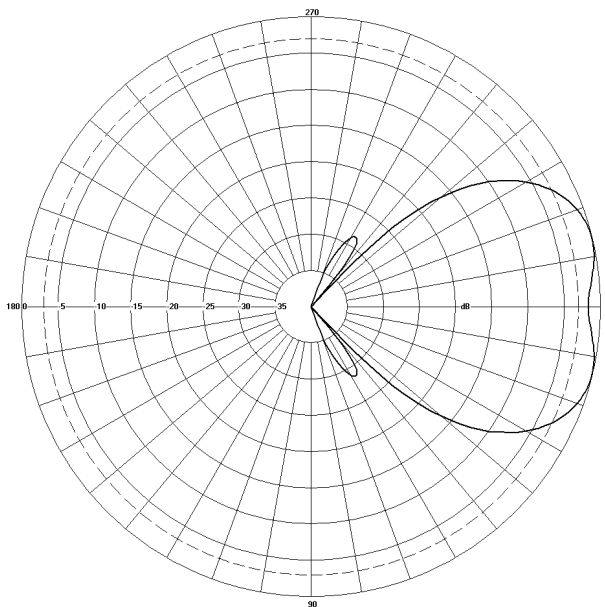
- High Data rate frequency bands covered.
- 4x4 MIMO for maximum throughput.
- Compact design for low visual impact.
- Mounting bracket with variable tilt (included).
- Manufactured in Ireland.

The parameters in this specification follow the definitions and recommendations per NGMN P-Basta, Release 9.6.

TECHNICAL SPECIFICATION

Electrical Specifications				
Frequency Range		MHz	1695 - 2170	3400 - 3800
Polarisation		Degree	+/- 45° Slant Linear	
Gain	Basta	dBi	10.0±0.5	10.0±0.5
	Max	dBi	10.5	10.5
Azimuth Beamwidth		Degree	50°	
Azimuth Beam Squint		Degree<	3°	
Elevation Beamwidth		Degree	50°	50°
Electrical Downtilt		Degree	T0°	
Electrical Downtilt Deviation		Degree<	1°	
Impedance		Ohms	50	
VSWR		<	1.5	
Return Loss		dB>	14	
Isolation		dB>	25	
Front to Back Ratio: Total Power +/-30°		dB>	28	
Passive Intermodulation		dBc<	-150	
Cross-Polar Discrimination		dB>	18	
Maximum Effective Power Per Port		W	100	

Representative Pattern Files



Azimuth

Elevation

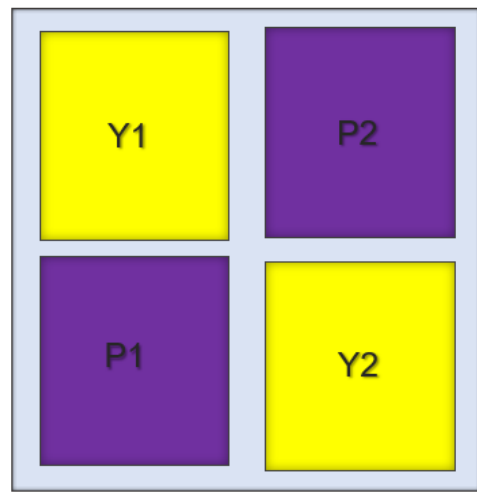
For radiation pattern files, please login at www.alphawireless.com

TECHNICAL SPECIFICATION

Mechanical Specifications

Dimensions	mm (in)	875 (34.4) x 862 (33.9) x 158 (6.2) - (LxWxD)
Net Weight (antenna)	kg (lb)	25 (55.1)
Net Weight (mount)	kg (lb)	3 (6.6)
Shipping Weight	kg (lb)	28 (61.7)
Connector Type (Female)	-	4.3-10
Connector Quantity	-	8
Connector Position	-	Bottom
Windload Frontal (at Rated Wind Speed: 150km/h)	N (lbf)	770 (173)
Windload Lateral (at Rated Wind Speed: 150km/h)	N (lbf)	147 (33)
Survival Wind Speed	km/h (mph)	200 (125)
Radome Material	-	ASA
Radome Colour	RAL	7035
Product Compliance Environmental	-	RoHS
Lightning Protection	-	DC Grounded
Cold Temperature Survival	°C (°F)	-40 (-40)
Hot Temperature Survival	°C (°F)	70 (158)

Array Layout and RET Information

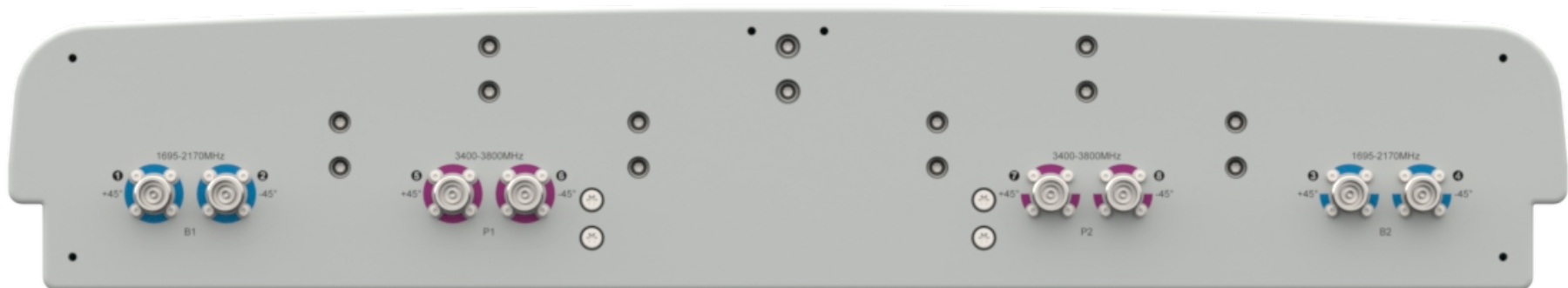
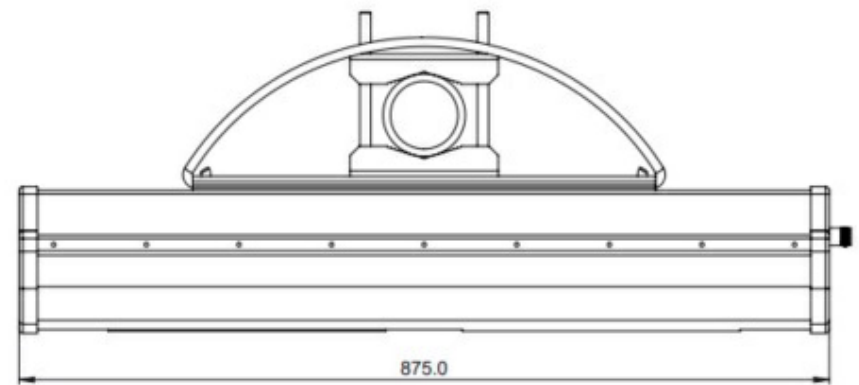
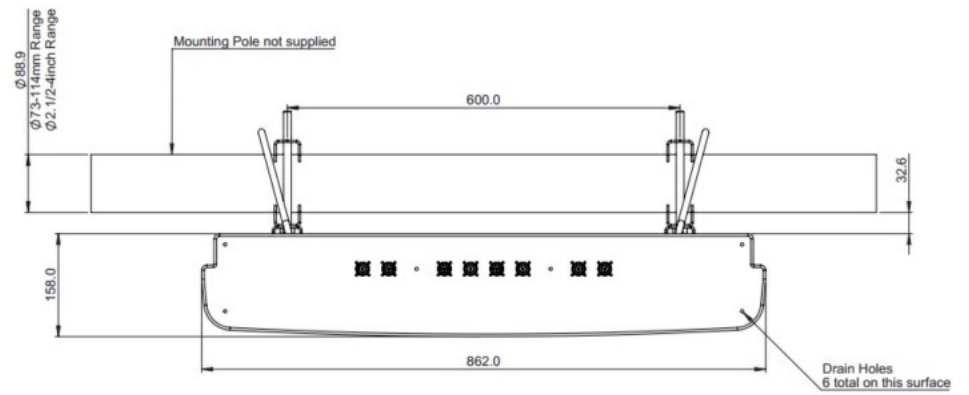
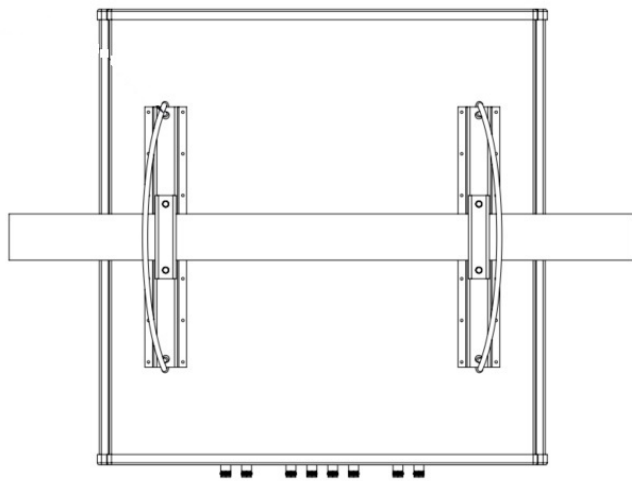
	Array	Frequency MHz	Ports
	Y1	1695 - 2170	1 - 2
	Y2	1695 - 2170	3 - 4
	P1	3400 - 3800	5 - 6
	P2	3400 - 3800	7 - 8

Note: Colored box sizes do not represent antenna sizes.

TECHNICAL SPECIFICATION

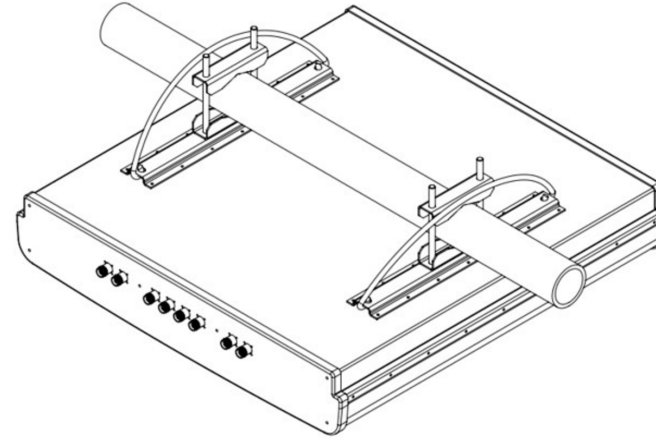
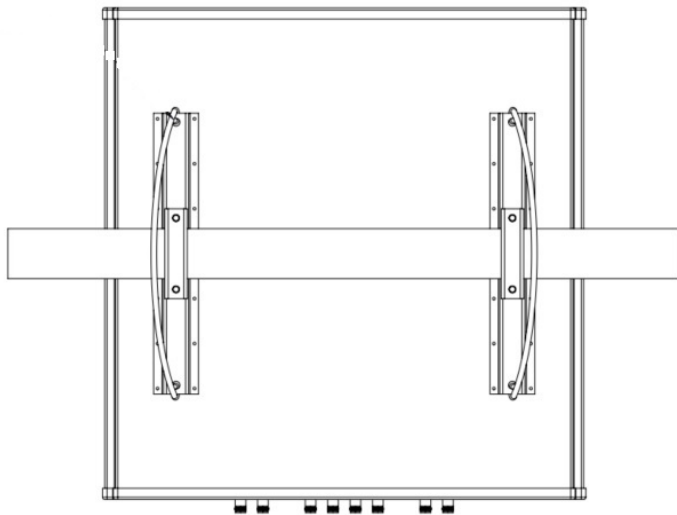
Mechanical Illustration

All measurements are in mm (in)



Mounting Bracket Kit

CL-V-185 Mount Kit (Mount Kit included with antenna)



Mounting Kit Tilt Range	Mounting Kit Material	Mounting Kit Pole Diameter
0°	Stainless Steel	50mm-115mm (2" to 4.5")

Ordering Info

Order Code - Antenna
AW3873-T0-F

Description
Zero Degrees Fixed Tilt with 4.3/10 Connectors

Enquiries

Global Headquarters
Ashgrove Business Centre,
Ballybrittas, Portlaoise,
R32 DT0A, IRELAND
sales@alphawireless.com
+353 57 86 33847

North America
7301 W. 129th Street, Suite 150,
Overland Park,
KS 66213, USA
sales@alphawireless.com
+1 913 279 0008

Australia
3/76 Regentville Rd,
Jamisontown,
NSW 2750, AUSTRALIA
sales@alphawireless.com
+ 61 2 4504 8212

DISCLAIMER

The information in this document is provided solely regarding Alpha Wireless products. The information is not a guarantee of performance or characteristics. Alpha Wireless reserves the right to modify, change, amend, improve or make corrections to this document and its products, at any time and its sole discretion without prior written consent or notice. No license to any intellectual property rights is granted or implied under this document. Alpha Wireless disclaims warranties and liabilities of any kind including non-infringement of intellectual property rights of any third party.