



# AW3935-T0-F

Common Name 8 Port - Mid Band and C-Band High Capacity Venue Panel - 50°

Frequency	Ports	Tilt	Gain	Beamwidth
1695-2170MHz	2	Fixed	11.5	50°
2300-2700MHz	2	Fixed	11.5	50°
3300-4200MHz	4	Fixed	11.5	50°

### PRODUCT INFORMATION

This is a high capacity dual-band panel antenna solution that supports sectional grid seating in stadiums, venues and macro hot spot applications. The antenna features rectangular-shaped patterns with a symmetric 50° azimuth and vertical beamwidth and sharp pattern roll off. The focused radiation allows cell sectorization with frequency reuse for maximum capacity. It provides 2 ports across 1695-2170MHz, 2 ports across 2300-2700MHz and 4 ports across 3300-4200MHz,



### APPLICATION

Special Application antennas are used for providing focused signal in high gain, narrow beam targeted applications.

### STANDARD & CERTIFICATIONS

Certification	BS EN ISO 9001:2015
---------------	---------------------



### FEATURES

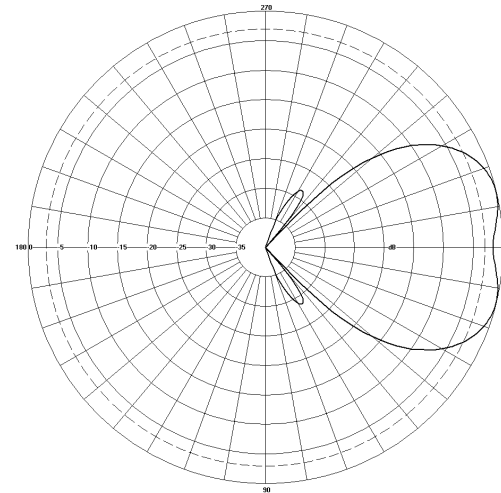
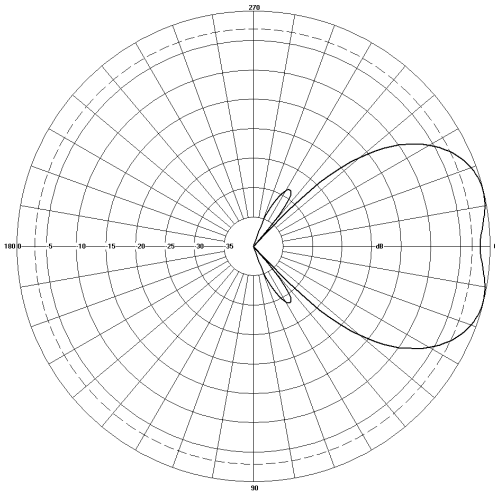
- Mid Bands 1695-2170MHz & 2300-2700MHz
- High Band 3300-4200MHz
- Rectangular patterns with sharp roll off
- 4x4 MIMO on High Band for maximum throughput.
- Compact design for low visual impact.
- Mounting bracket with variable tilt (included).
- Manufactured in Ireland.

*The parameters in this specification follow the definitions and recommendations per NGMN P-Basta, Release 9.6.*

## TECHNICAL SPECIFICATION

Electrical Specifications			Array Y1		Array Y2		Arrays P1 & P2	
Frequency Range		MHz	1695-1995	1995-2170	2300-2500	2500-2700	3300-3800	3800-4200
Polarisation		Degree	+/- 45° Slant Linear					
Gain	Basta	dBi	10.5±0.5	11.5±0.5	10.5±0.5	11.5±0.5	10.5±0.5	11.5±0.5
	Max	dBi	11.0	12.0	11.0	12.0	11.0	12.0
Azimuth Beamwidth		Degree	51°	43°	50°	45°	52°	45°
Azimuth Beam Squint		Degree<	3°					
Elevation Beamwidth		Degree	51°	43°	50°	45°	52°	45°
Electrical Downtilt		Degree	T0°	T0°	T0°	T0°	T0°	T0°
Electrical Downtilt Deviation		Degree<	3°	3°	3°	3°	3°	3°
Impedance		Ohms	50					
VSWR		<	1.5					
Return Loss		dB>	14					
Isolation			25	25	25	25	25	25
Passive Intermodulation		dBc<	-150	-150	-150	-150	-150	-150
Cross-Polar Discrimination		dB>	15	15	15	15	15	15
Maximum Effective Power Per Port		W	100	100	100	100	100	100

## Representative Pattern Files



Azimuth

Elevation

For radiation pattern files, please login at [www.alphawireless.com](http://www.alphawireless.com)

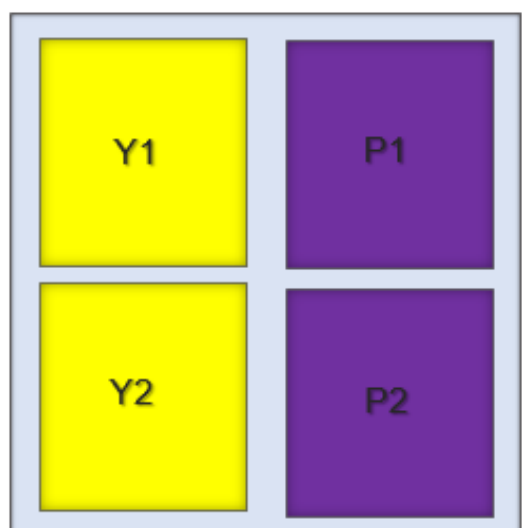
## TECHNICAL SPECIFICATION

## Mechanical Specifications

Dimensions	mm (in)	875 (34.4) x 862 (33.9) x 158 (6.2) - (LxWxD)
Net Weight (antenna)	kg (lb)	25 (55.1)
Net Weight (mount)	kg (lb)	3 (6.6)
Shipping Weight	kg (lb)	28 (61.7)
Connector Type (Female)	-	4.3-10
Connector Position	-	Bottom
Connector Quantity	-	8
Windload Frontal (at Rated Wind Speed: 150km/h)	N	770 (173)
Windload Lateral (at Rated Wind Speed: 150km/h)	N	147 (33)
Survival Wind Speed	km/h (mph)	200 (125)
Radome Material	-	ASA
Radome Colour	RAL	7035 (light grey)
Product Compliance Environmental	-	RoHS
Lightning Protection	-	DC Grounded
Cold Temperature Survival	Celsius (Fahrenheit)	-40 (-40)
Hot Temperature Survival	Celsius (Fahrenheit)	70 (158)

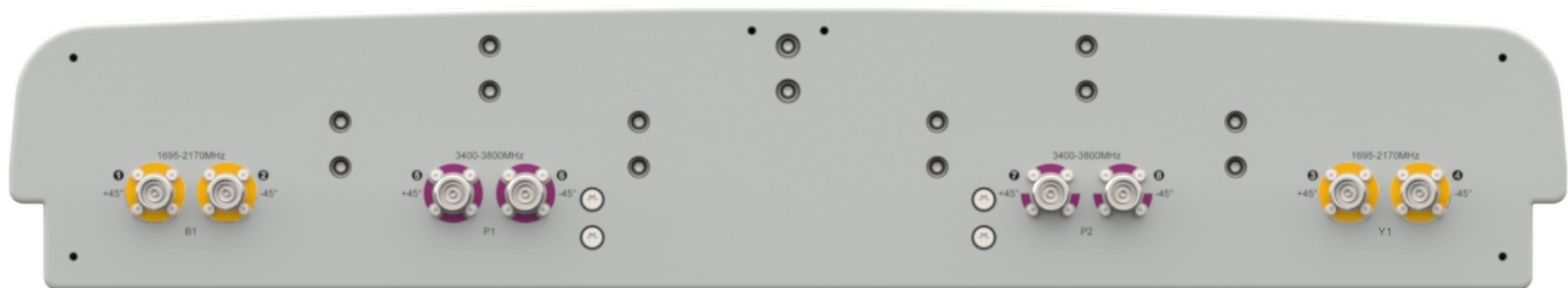
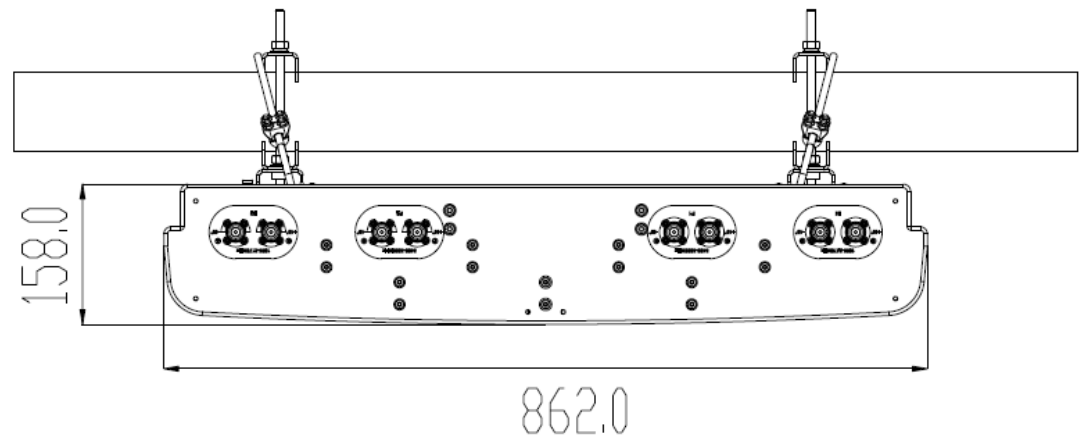
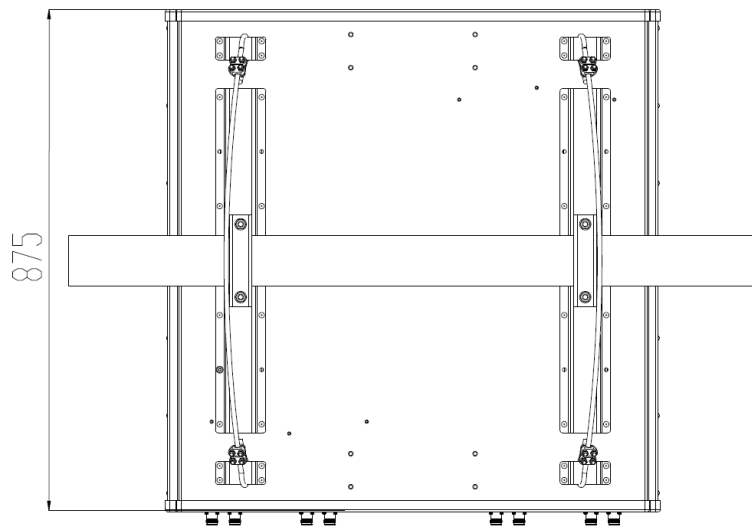
## Array Layout and RET Information

Array	Frequency MHz	Ports
Y1	1695 - 2170	1 - 2
Y2	2300 - 2700	3 - 4
P1	3300 - 4200	5 - 6
P2	3300 - 4200	7 - 8



*Note: Colored box sizes do not represent antenna sizes.*

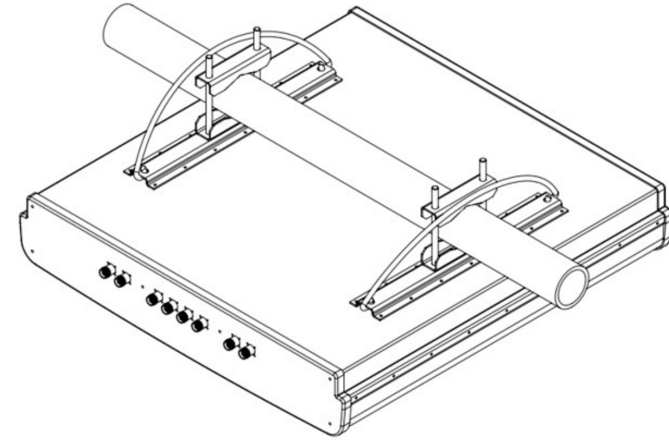
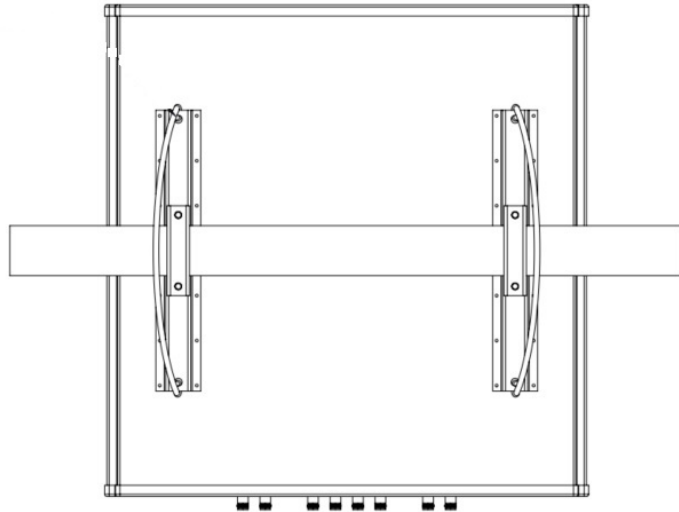
## Mechanical Illustration



## TECHNICAL SPECIFICATION

### Mounting Bracket Kit

CL-V-185 Mount Kit (Mount Kit included with antenna)



Mounting Kit Tilt Range	Mounting Kit Material	Mounting Kit Pole Diameter
0	Stainless Steel	50mm-115mm (2" to 4.5")

### Ordering Options

#### Order Code - Antenna

AW3935-T0-F

#### Description

Zero Degrees Fixed Tilt with 4.3-10 Connectors

#### Order Code - Accessories

#### Description

AW1012-2-FM-FM

RF Jumper Cable, connector types 4.3-10 (m) / 4.3-10 (m), length 2 metres (6'6")

AW1012-2-FM-NM

RF Jumper Cable, connector types 4.3-10 (m) / N-Type (m), length 2 metres (6'6")

AW1014-2-FM-TM

RF Jumper Cable, connector types 4.3-10 (m) / Nex10 (m), length 2 metres (6'6")

PADC 1000

Portable AISG Controller

SADC 2000

Site AISG Controller

AW0326-3-PM-PF

AISG Jumper Cable Lengths 3 metres (9' 10")

AW0326-10-PM-PF

AISG Jumper Cable Lengths 10 metres (32' 9")

AW0326-25-PM-PF

AISG Jumper Cable Lengths 25 metres (82')

AW0326-50-PM-PF

AISG Jumper Cable Lengths 50 metres (164')

### Enquiries

#### Global Headquarters

Ashgrove Business Centre,  
Ballybrittas, Portlaoise,  
R32 DT0A, IRELAND  
[sales@alphawireless.com](mailto:sales@alphawireless.com)  
+353 57 86 33847

#### North America

7301 W. 129th Street, Suite 150,  
Overland Park,  
KS 66213, USA  
[sales@alphawireless.com](mailto:sales@alphawireless.com)  
+1 913 279 0008

#### Australia

3/76 Regentville Rd,  
Jamisontown,  
NSW 2750, AUSTRALIA  
[sales@alphawireless.com](mailto:sales@alphawireless.com)  
+ 61 2 4504 8212

### DISCLAIMER

The information in this document is provided solely regarding Alpha Wireless products. The information is not a guarantee of performance or characteristics. Alpha Wireless reserves the right to modify, change, amend, improve or make corrections to this document and its products, at any time and its sole discretion without prior written consent or notice. No license to any intellectual property rights is granted or implied under this document. Alpha Wireless disclaims warranties and liabilities of any kind including non-infringement of intellectual property rights of any third party.