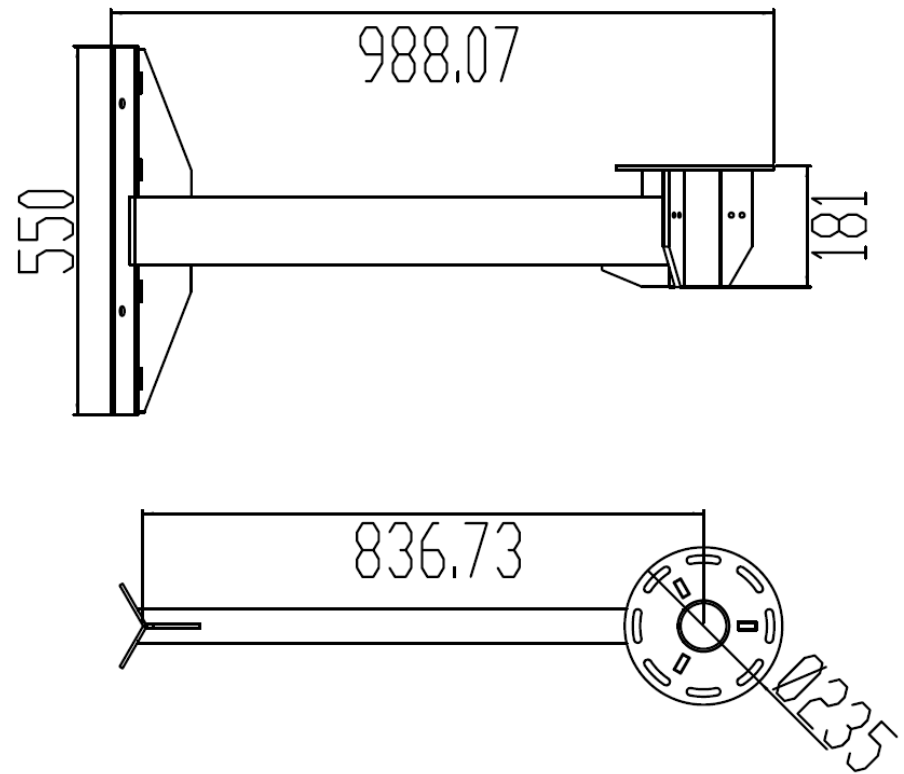
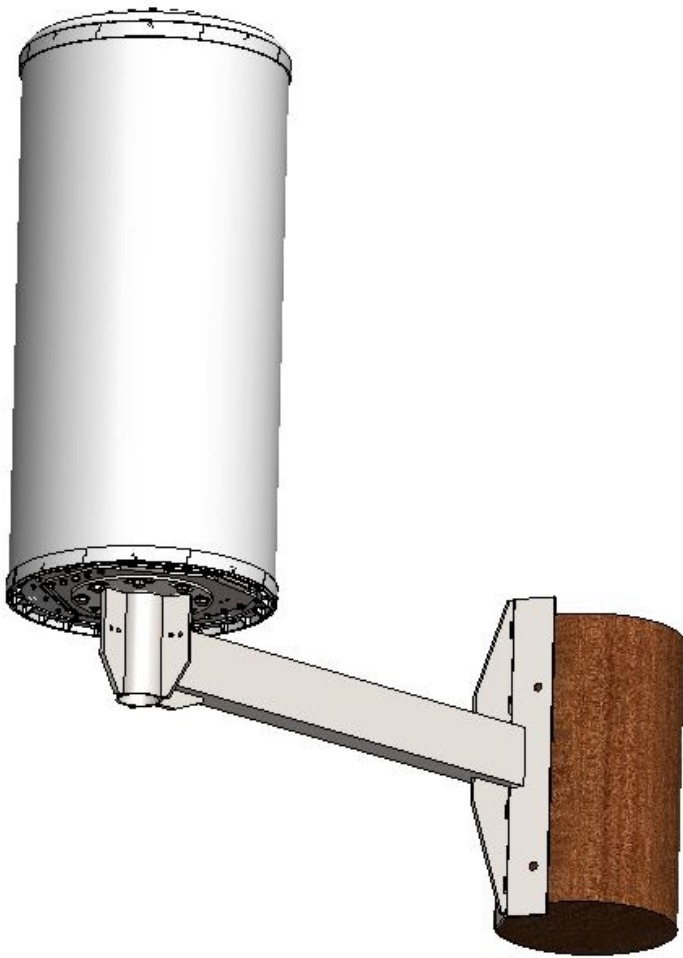


Standoff Mounting Bracket

Mechanical Illustration



Item:	Description	Quantity:
1	Bolt M10 x 25mm (S/S)	6
2	Flat Washer M10 (S/S)	6
3	Spring Washer M10 (S/S)	6

Tools, Torques and Instructions:

16mm Spanner for M10 Bolts.

Do Not over-tighten.

Excessive torque loading can distort components.

Mechanical Specifications	
Material:	Mild Steel