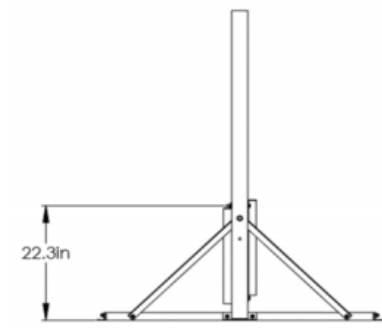
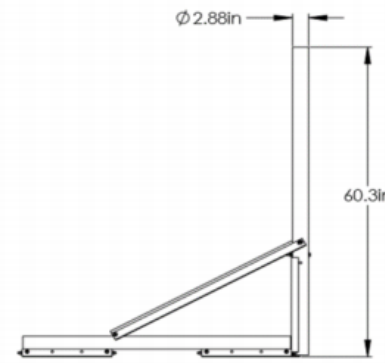
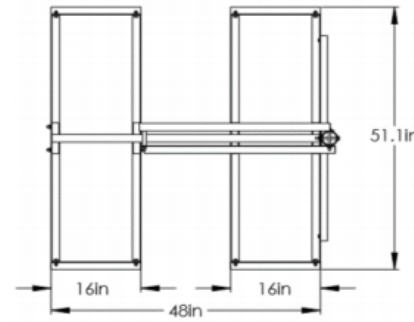
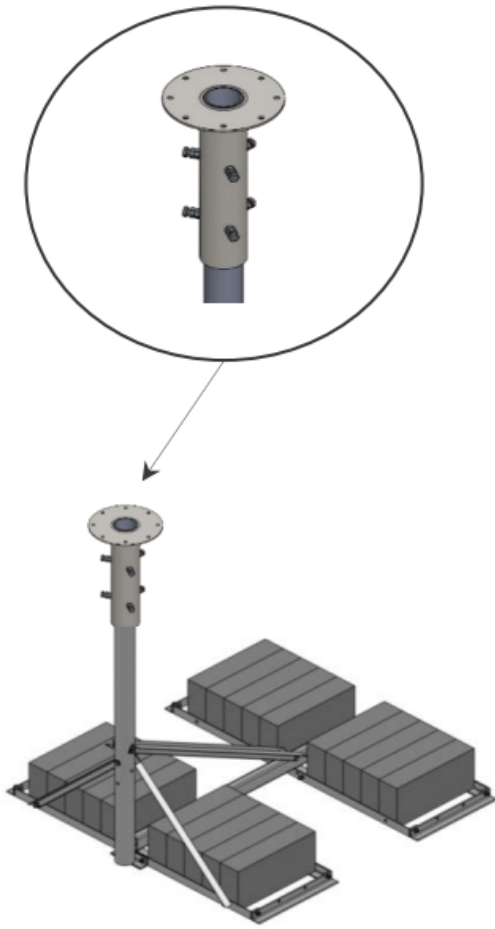


## Skid Mounting Kit - Small

# CL-V-138

## DATASHEET

## Mechanical Illustration



Item:	Description	Quantity:
1	Bolt M12 x 40mm (S/S)	6
2	Nut M12 (S/S)	6
3	Bolt M10 x 25mm (S/S)	8
4	Flat Washer M10 (S/S)	8
5	Spring Washer M10 (S/S)	8

## Tools, Torques and Instructions:

19mm Spanners for M12 Nuts and Bolts.

16mm Spanners for M10 Nuts and Bolts.

Do Not over-tighten.

Excessive torque loading can distort components.

## Mechanical Specifications

Material: Alpha Approved Hot Dip Galvanised