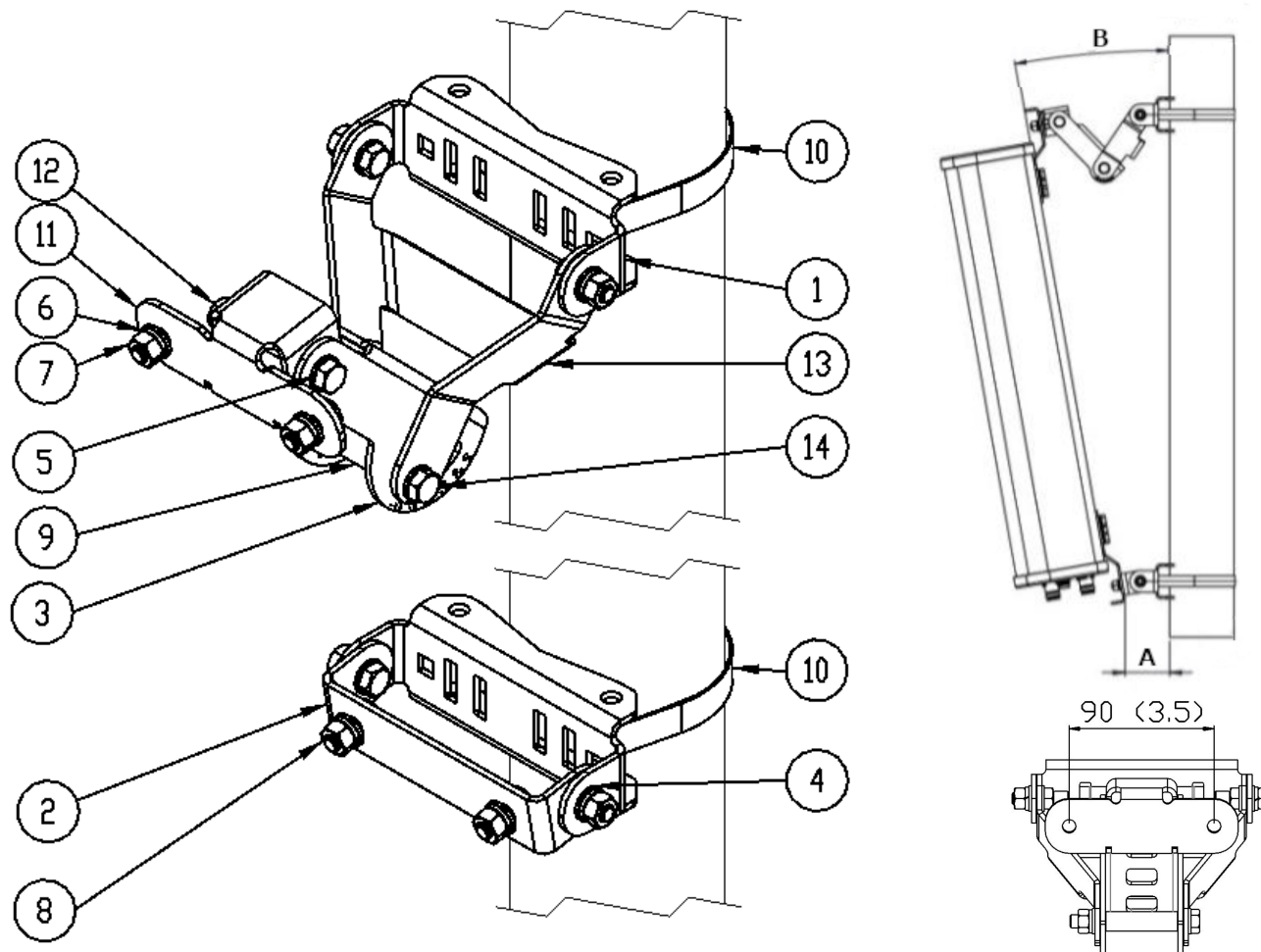


## Adjustable Mounting Accessory

## Mechanical Illustration



Item:	Description	Quantity:	Item:	Description	Quantity:
1	V-Block (3mm, S/S)	2	8	M8 x 20 Hex Head Setscrew SS	8
2	Bracket 2 (3mm, S/S)	1	9	Spacer 44.5 MM	1
3	Arm 2 (3mm, S/S)	1	10	Jubilee Clip Grade 304 S/S	2
4	M8 Flat Washer SS	20	11	Bracket 1	1
5	M8 x 65, Hex Head Screw, A2 SS	1	12	Spacer 37.5 MM	1
6	M8 Spring Washer SS	10	13	Arm 1 (3mm, S/S)	1
7	M8, Hex Nut, A2 SS	10	14	M8 x 75, Hex Head Screw, A2 SS	1

## Tools Required:

13mm Spanners for M8 Nuts and Bolts.

Apply Grease to M8 adjustable Bolts and to the Setscrews (Where nut tightens)

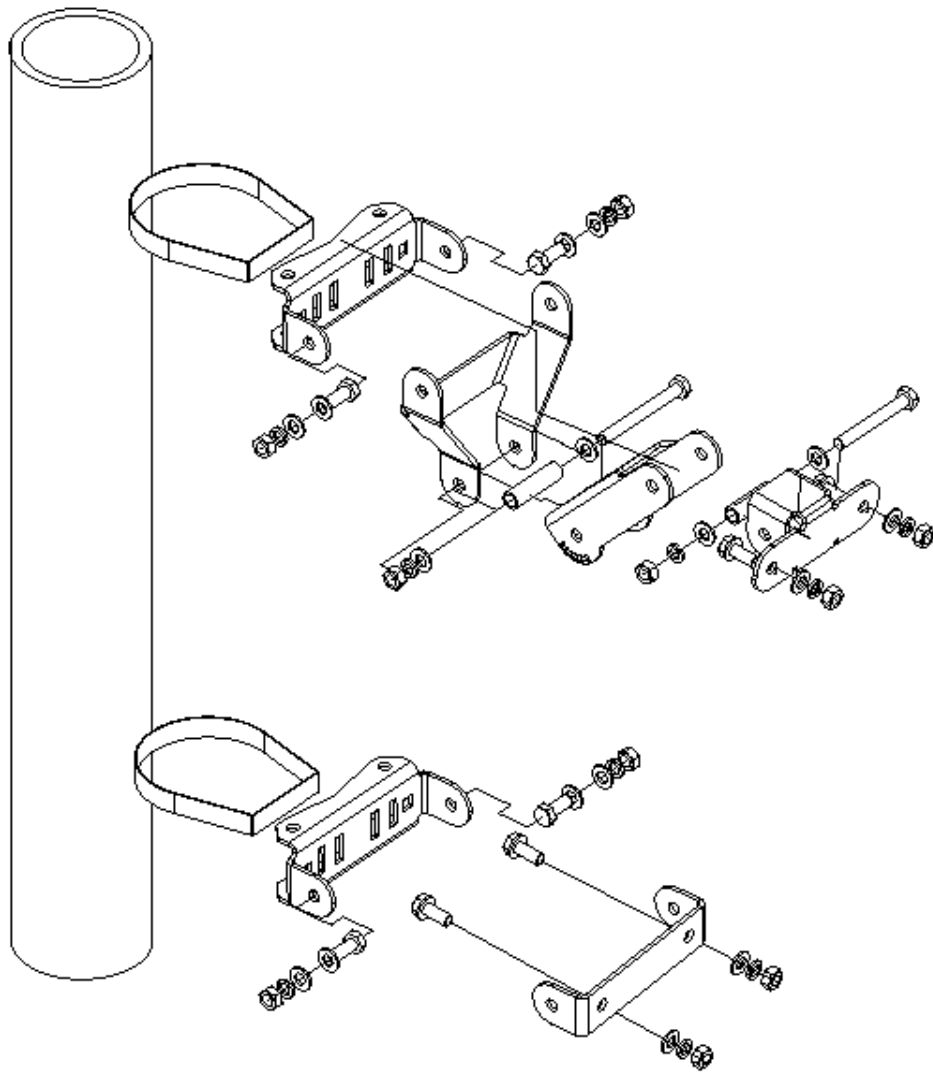
Tighten M8 x 20 Bolts to 20NM (14.7 ft-lbs).

## Application Note

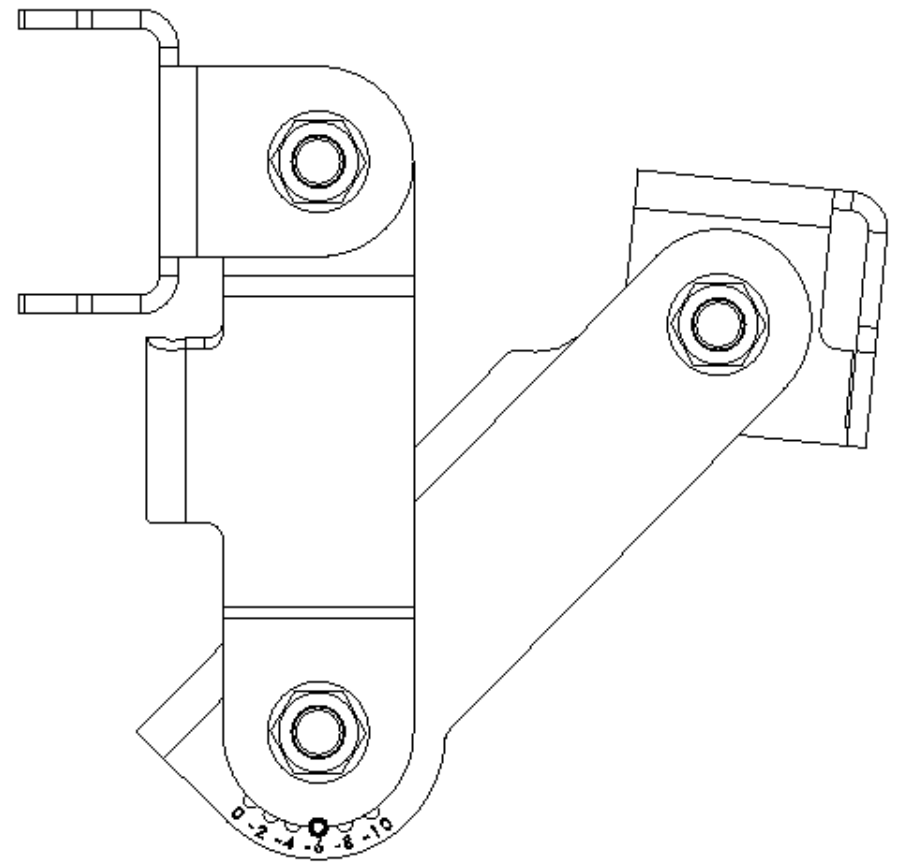
CL-V-156	CL-V-156 is designed to work in conjunction with either CL-V-158 or CL-V-168 and not as a stand alone mount kit.
Setup	Mounting of the bracket to the pole must be completed while the bracket is set to 0°.
V-block	V-block has a pole mounting range of 50mm(2") and above. Note: Metal straps are provided with the antenna mount kit and are not contained in the CL-V-156 kit.
Metal strapping	Metal strapping (provided) has a range between 50mm(2") and 241mm(9.5"). Pole diameters greater than 9.5" will require a larger metal strap (not provided).
Torque value	The recommended torque value for the metal strapping is 6Nm.

## Mechanical Specifications

Dimension 'A'	60mm @ 0°
Dimension 'B'	-10° to 0° @ 630mm spacing (CL-V158) / -20° to 0° @ 300mm spacing (CL-V-168)
Pole Diameter:	50mm(2") to 241mm(9.5") with Jubilee clip provided. Larger pole diameters will require a larger metal strap (not provided).
Material:	Stainless Steel.
Weight:	1.6kg (3.5lbs)



**Exploded view**



**Tilt indicator set to T6**